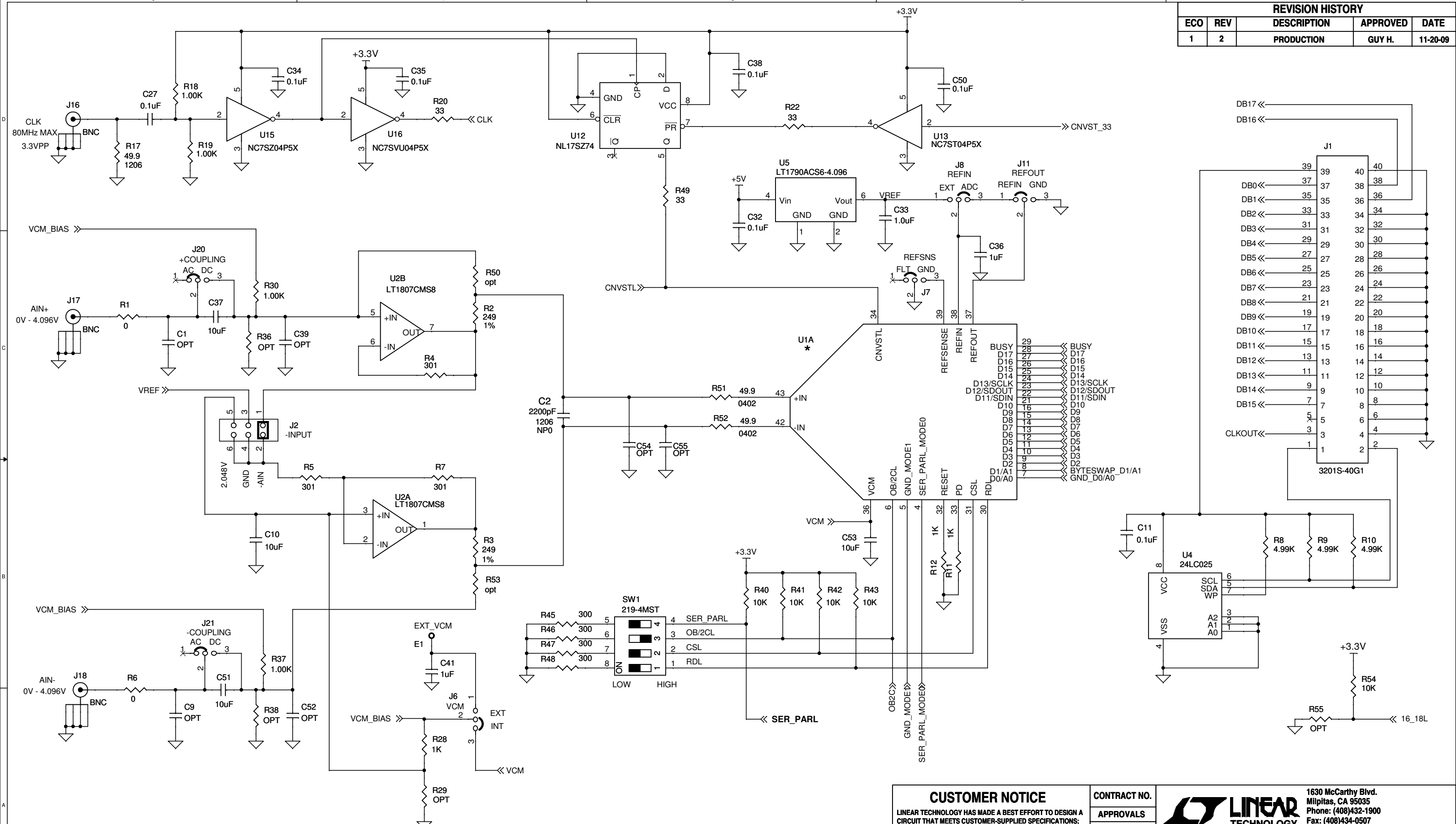


REVISION HISTORY				
ECO	REV	DESCRIPTION	APPROVED	DATE
1	2	PRODUCTION	GUY H.	11-20-09



* ASSY U1 BITS Msps FULLY DIFFERENTIAL J2 SHUNT

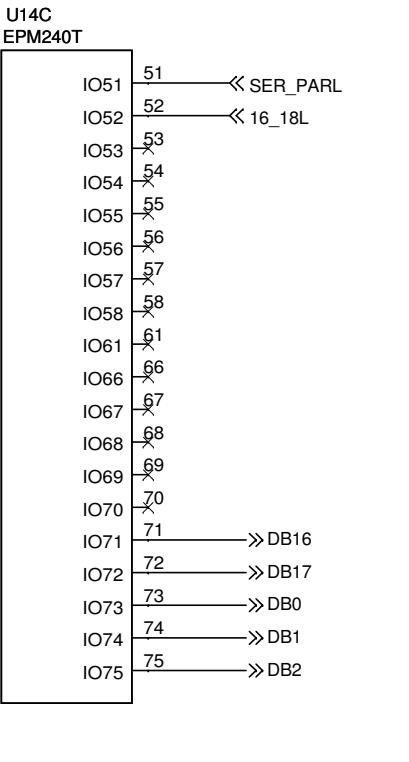
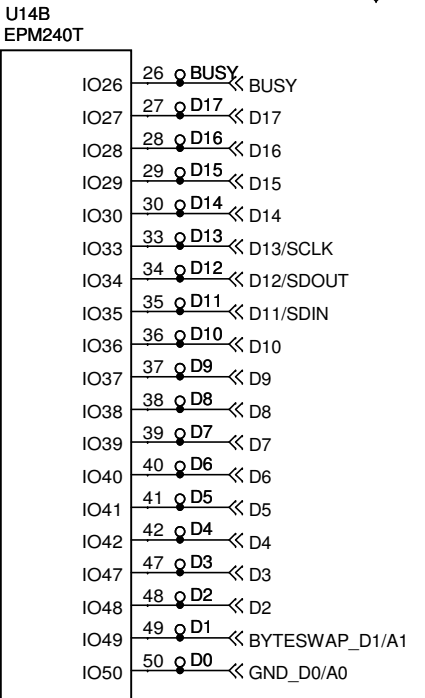
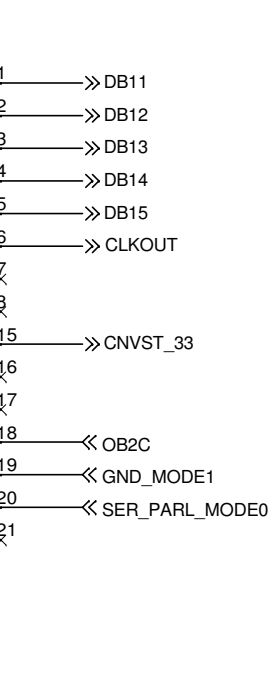
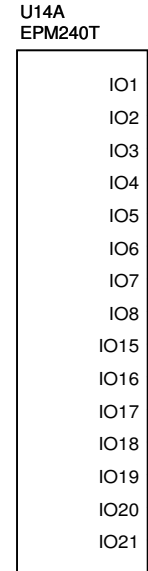
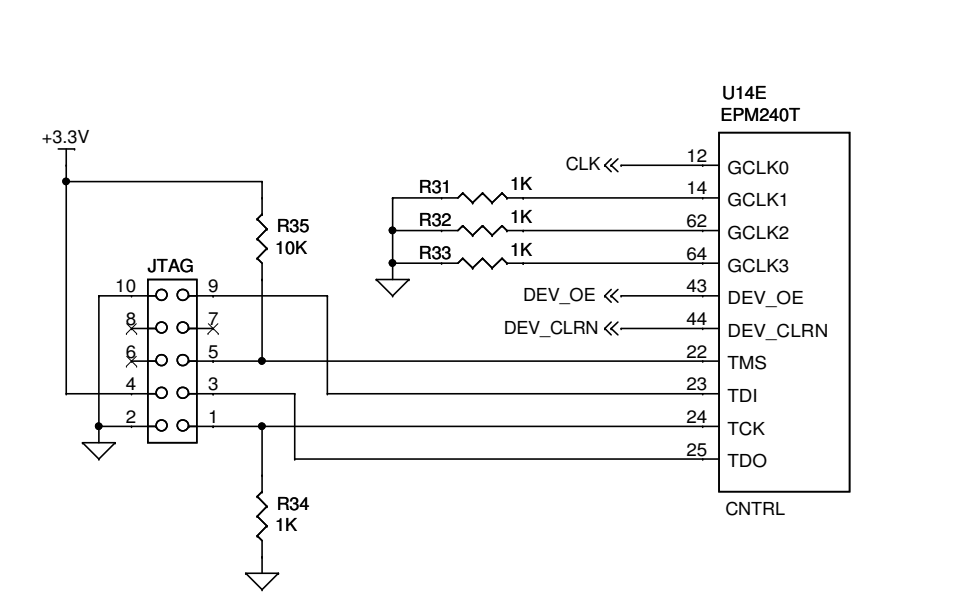
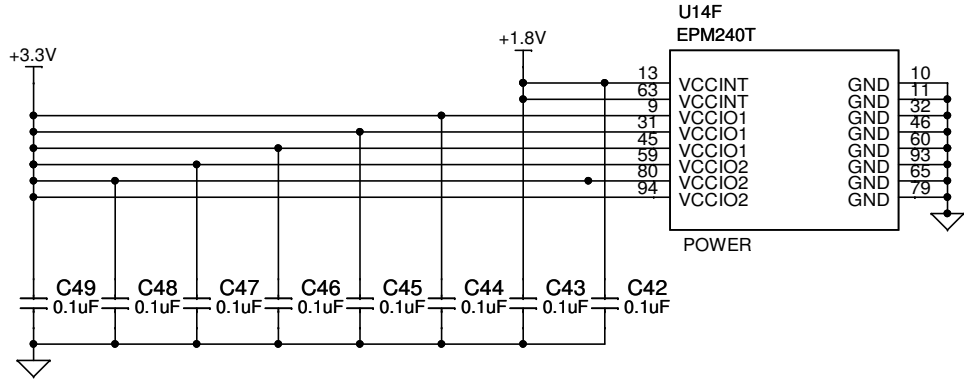
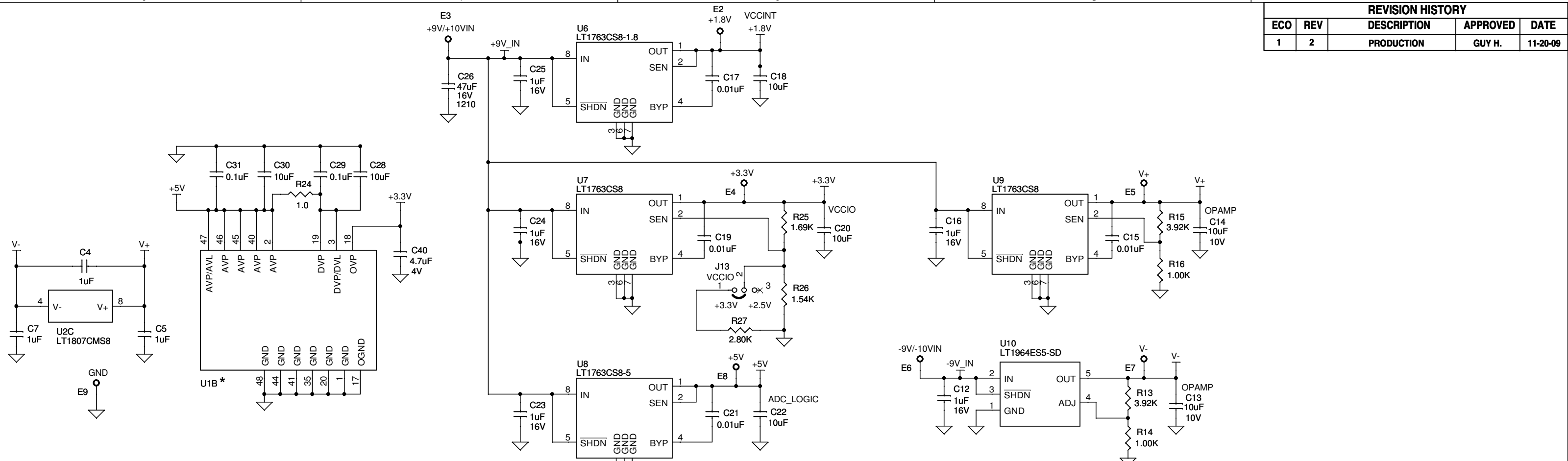
-A	LTC2393CLX-16	16	1	YES	-AIN
-B	LTC2392CLX-16	16	0.5	YES	-AIN
-C	LTC2391CLX-16	16	0.25	YES	-AIN

CUSTOMER NOTICE
 LINEAR TECHNOLOGY HAS MADE A BEST EFFORT TO DESIGN A CIRCUIT THAT MEETS CUSTOMER-SUPPLIED SPECIFICATIONS; HOWEVER, IT REMAINS THE CUSTOMER'S RESPONSIBILITY TO VERIFY PROPER AND RELIABLE OPERATION IN THE ACTUAL APPLICATION. COMPONENT SUBSTITUTION AND PRINTED CIRCUIT BOARD LAYOUT MAY SIGNIFICANTLY AFFECT CIRCUIT PERFORMANCE OR RELIABILITY. CONTACT LINEAR TECHNOLOGY APPLICATIONS ENGINEERING FOR ASSISTANCE.

THIS CIRCUIT IS PROPRIETARY TO LINEAR TECHNOLOGY AND SUPPLIED FOR USE WITH LINEAR TECHNOLOGY PARTS.

CONTRACT NO.			1630 McCarthy Blvd. Milpitas, CA 95035 Phone: (408)432-1900 Fax: (408)434-0507 LTC Confidential-For Customer Use Only	
APPROVALS			TITLE: SCHEMATIC	
PCB DES. KT		LOW NOISE HIGH SPEED SAR ADC FAMILY		
ENG. GUY H.		SIZE B	IC NO. LTC23XXCLX FAMILY	REV 2
SCALE: NONE		DATE: Friday, November 20, 2009		SHEET 1 OF 2

REVISION HISTORY				
ECO	REV	DESCRIPTION	APPROVED	DATE
1	2	PRODUCTION	GUY H.	11-20-09



CUSTOMER NOTICE
 LINEAR TECHNOLOGY HAS MADE A BEST EFFORT TO DESIGN A CIRCUIT THAT MEETS CUSTOMER-SUPPLIED SPECIFICATIONS; HOWEVER, IT REMAINS THE CUSTOMER'S RESPONSIBILITY TO VERIFY PROPER AND RELIABLE OPERATION IN THE ACTUAL APPLICATION. COMPONENT SUBSTITUTION AND PRINTED CIRCUIT BOARD LAYOUT MAY SIGNIFICANTLY AFFECT CIRCUIT PERFORMANCE OR RELIABILITY. CONTACT LINEAR TECHNOLOGY APPLICATIONS ENGINEERING FOR ASSISTANCE.

THIS CIRCUIT IS PROPRIETARY TO LINEAR TECHNOLOGY AND SUPPLIED FOR USE WITH LINEAR TECHNOLOGY PARTS.

CONTRACT NO.
 APPROVALS
 PCB DES. KT
 ENG. GUY H.
 SCALE: NONE

LINEAR TECHNOLOGY
 1630 McCarthy Blvd.
 Milpitas, CA 95035
 Phone: (408)432-1900
 Fax: (408)434-0507
 LTC Confidential-For Customer Use Only

TITLE: SCHEMATIC
LOW NOISE HIGH SPEED SAR ADC FAMILY

SIZE B IC NO. LTC23XXCLX FAMILY
 DEMO CIRCUIT 1501A REV 2

DATE: Friday, November 20, 2009 SHEET 2 OF 2