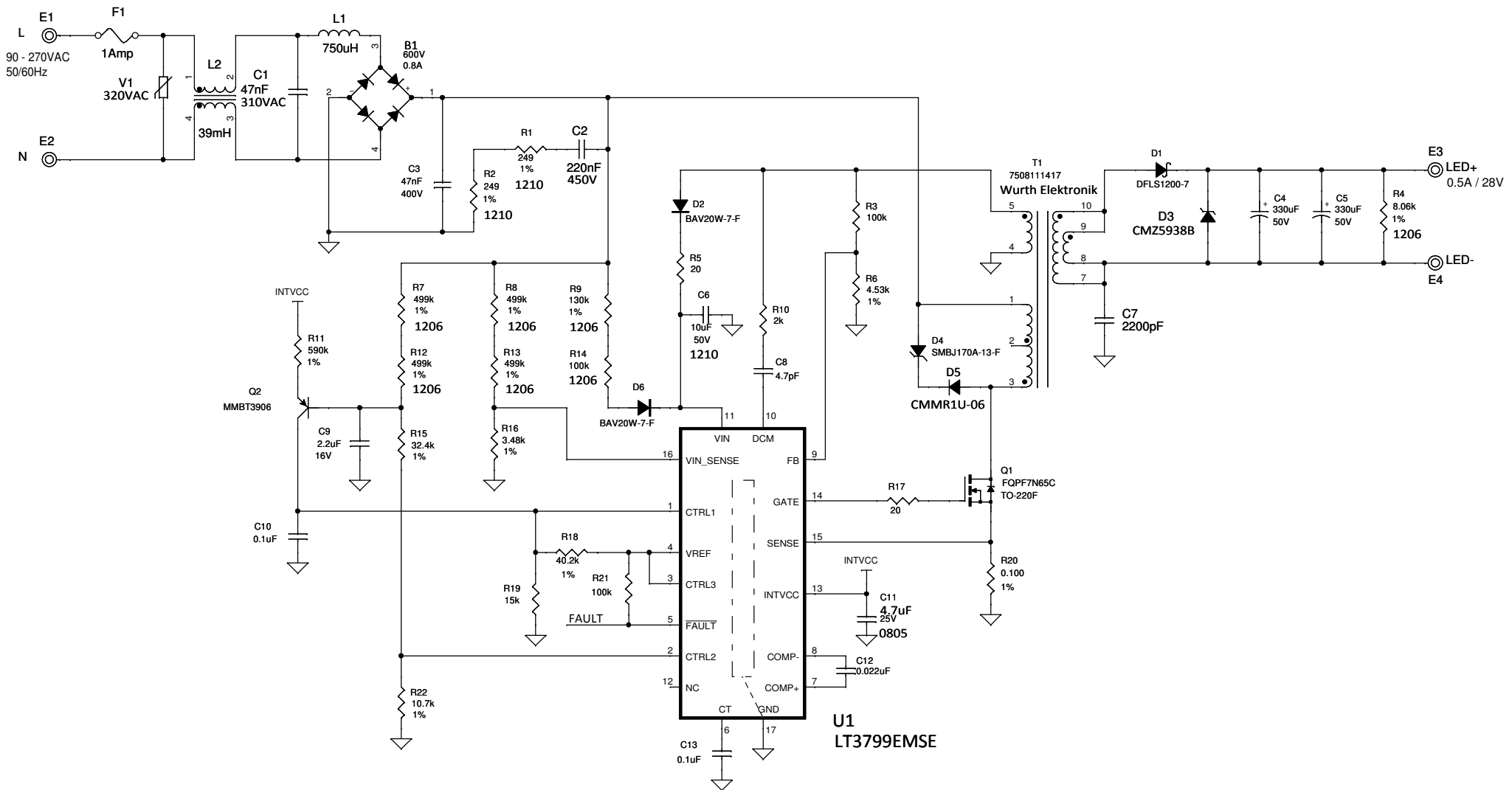


REVISION HISTORY				
ECO	REV	DESCRIPTION	APPROVED	DATE
	4	PRODUCTION	GEORGE Q.	11/07/11



NOTES: UNLESS OTHERWISE SPECIFIED,  
 1. RESISTOR VALUES ARE 5%.  
 2. CAPACITORS AND RESISTORS ARE 0603.

<b>CUSTOMER NOTICE</b> LINEAR TECHNOLOGY HAS MADE A BEST EFFORT TO DESIGN A CIRCUIT THAT MEETS CUSTOMER-SUPPLIED SPECIFICATIONS; HOWEVER, IT REMAINS THE CUSTOMER'S RESPONSIBILITY TO VERIFY PROPER AND RELIABLE OPERATION IN THE ACTUAL APPLICATION. COMPONENT SUBSTITUTION AND PRINTED CIRCUIT BOARD LAYOUT MAY SIGNIFICANTLY AFFECT CIRCUIT PERFORMANCE OR RELIABILITY. CONTACT LINEAR TECHNOLOGY APPLICATIONS ENGINEERING FOR ASSISTANCE. <small>C:\PADS PROJECTS\MIKEITURRALDE\1775A\1775A-4\SCH\1775A_REV4.DSN</small>		<b>APPROVALS</b> PCB DES. MI APP ENG. GEORGE Q.		1630 McCarthy Blvd. Milpitas, CA 95035 Phone: (408)432-1900 www.linear.com Fax: (408)434-0507 LTC Confidential-For Customer Use Only	
		<b>TITLE: SCHEMATIC</b> <b>ISOLATED TRIAC DIMMABLE LED DRIVER</b>		<b>SIZE</b> N/A <b>IC NO.</b> LT3799EMSE <b>DATE:</b> Thursday, February 02, 2012 <b>SHEET</b> 1 <b>OF</b> 1	