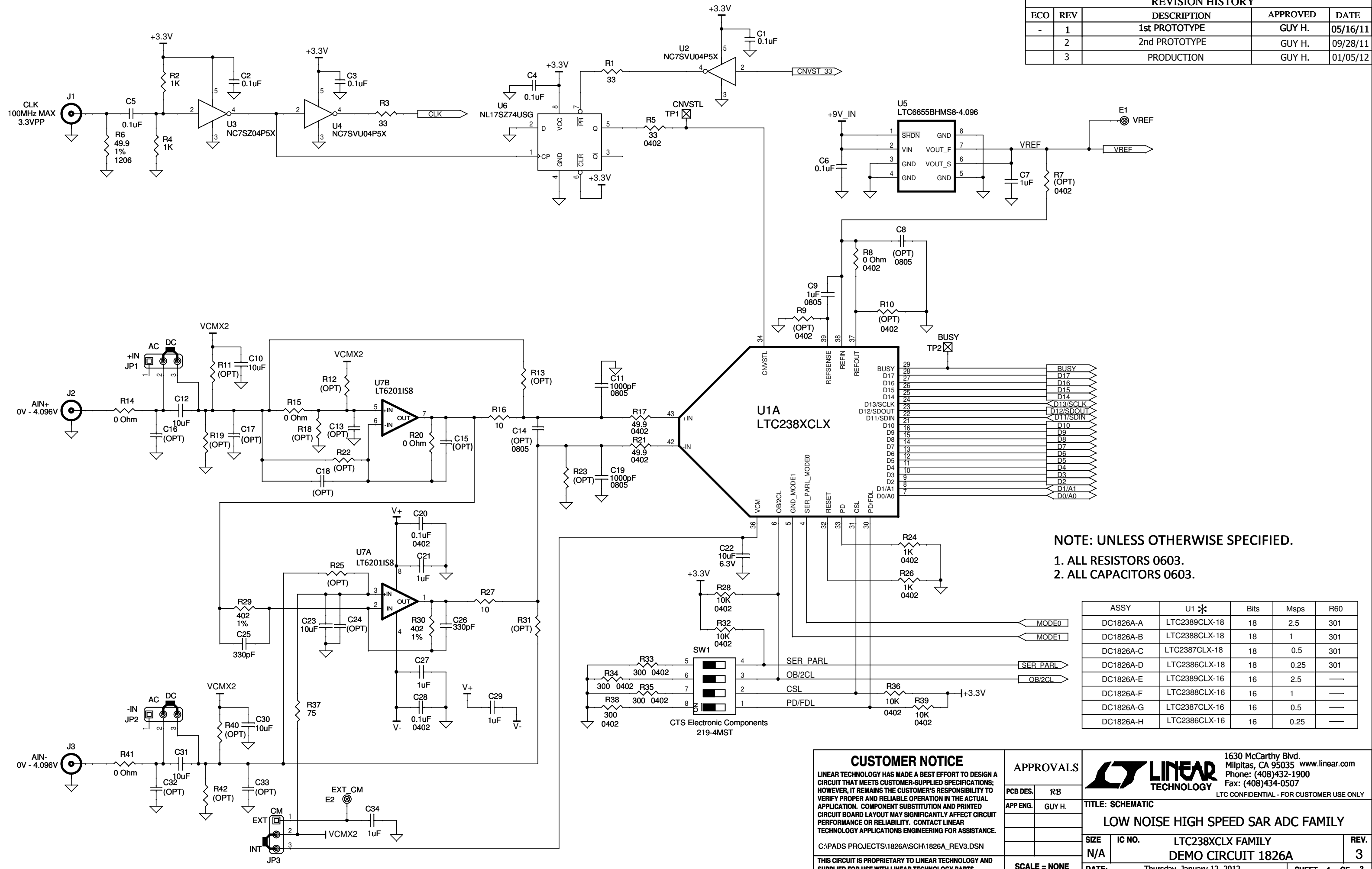


REVISION HISTORY				
ECO	REV	DESCRIPTION	APPROVED	DATE
-	1	1st PROTOTYPE	GUY H.	05/16/11
	2	2nd PROTOTYPE	GUY H.	09/28/11
	3	PRODUCTION	GUY H.	01/05/12



NOTE: UNLESS OTHERWISE SPECIFIED.
 1. ALL RESISTORS 0603.
 2. ALL CAPACITORS 0603.

ASSY	U1 *	Bits	MspS	R60
DC1826A-A	LTC2389CLX-18	18	2.5	301
DC1826A-B	LTC2388CLX-18	18	1	301
DC1826A-C	LTC2387CLX-18	18	0.5	301
DC1826A-D	LTC2386CLX-18	18	0.25	301
DC1826A-E	LTC2389CLX-16	16	2.5	---
DC1826A-F	LTC2388CLX-16	16	1	---
DC1826A-G	LTC2387CLX-16	16	0.5	---
DC1826A-H	LTC2386CLX-16	16	0.25	---

CUSTOMER NOTICE
 LINEAR TECHNOLOGY HAS MADE A BEST EFFORT TO DESIGN A CIRCUIT THAT MEETS CUSTOMER-SUPPLIED SPECIFICATIONS; HOWEVER, IT REMAINS THE CUSTOMER'S RESPONSIBILITY TO VERIFY PROPER AND RELIABLE OPERATION IN THE ACTUAL APPLICATION. COMPONENT SUBSTITUTION AND PRINTED CIRCUIT BOARD LAYOUT MAY SIGNIFICANTLY AFFECT CIRCUIT PERFORMANCE OR RELIABILITY. CONTACT LINEAR TECHNOLOGY APPLICATIONS ENGINEERING FOR ASSISTANCE.
 C:\PADS PROJECTS\1826A\SCH\1826A_REV3.DSN
 THIS CIRCUIT IS PROPRIETARY TO LINEAR TECHNOLOGY AND SUPPLIED FOR USE WITH LINEAR TECHNOLOGY PARTS.

APPROVALS

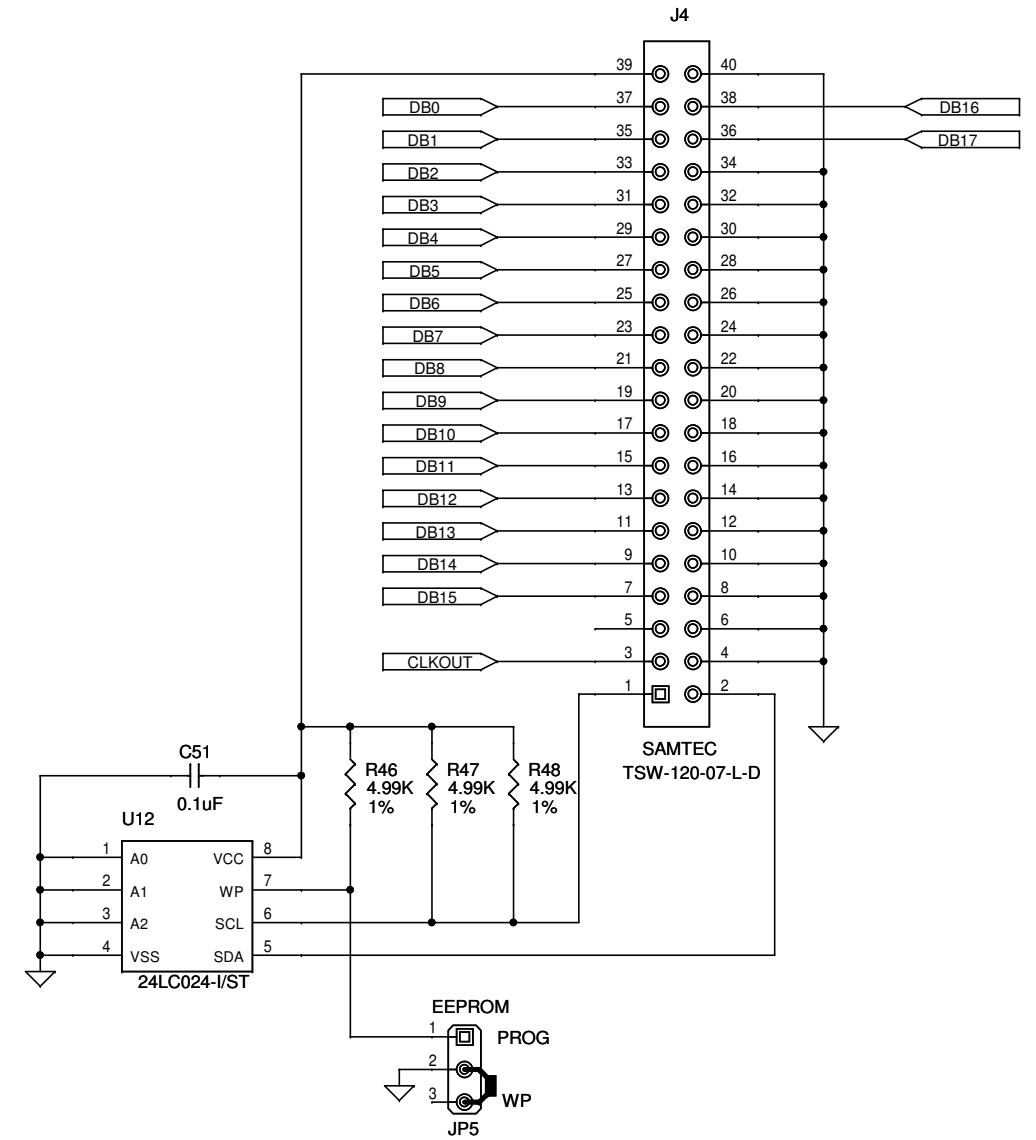
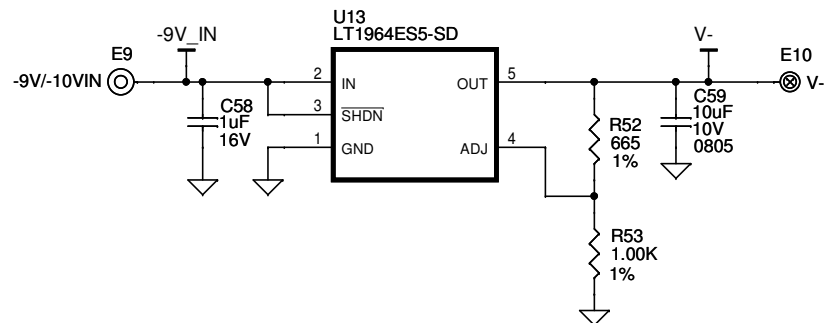
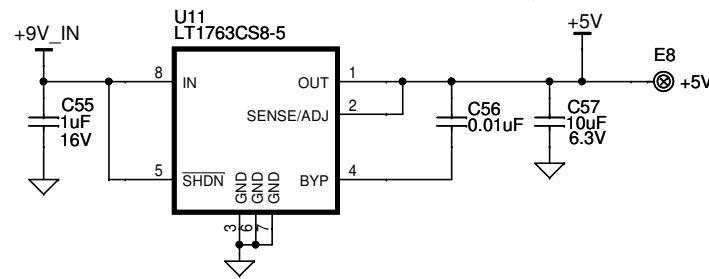
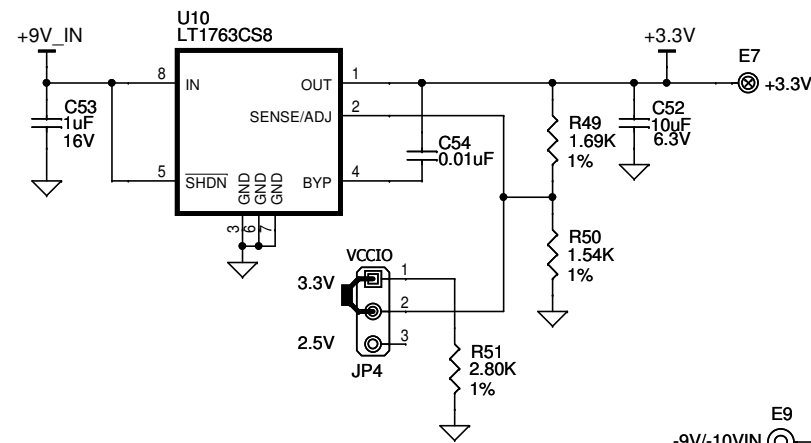
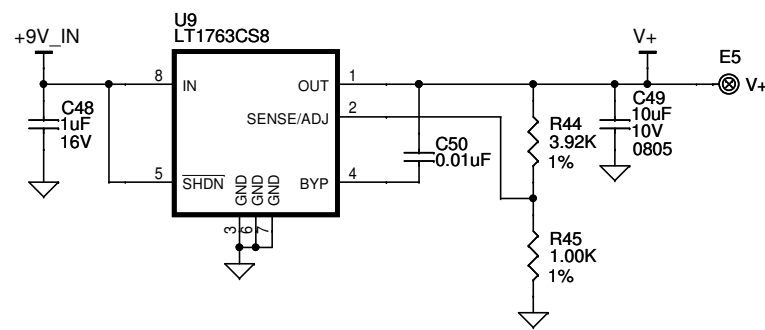
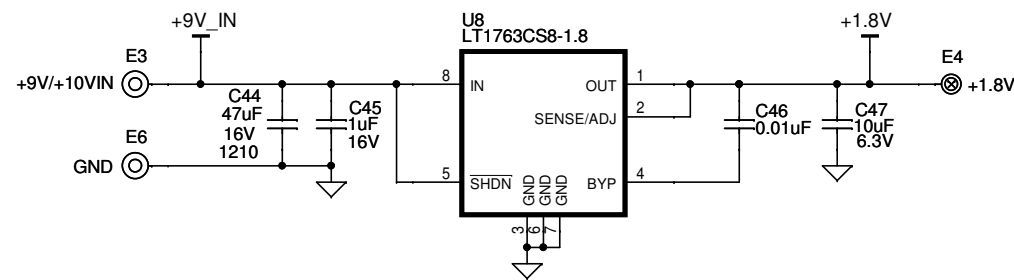
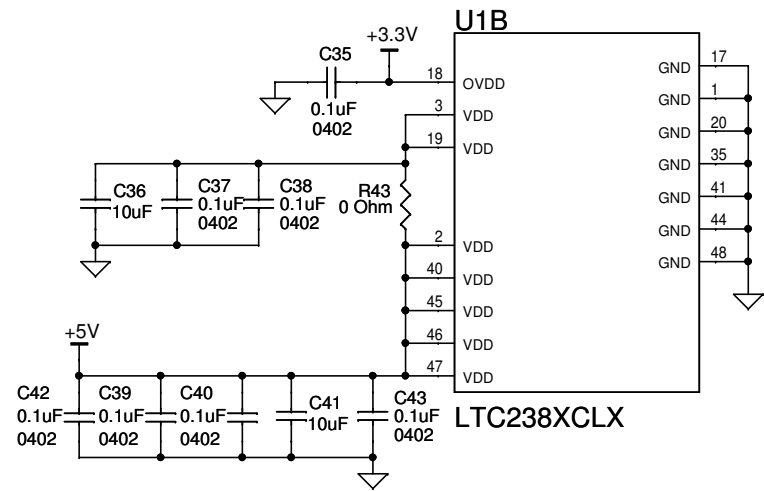
PCB DES.	R/B
APP ENG.	GUY H.

LINEAR TECHNOLOGY
 1630 McCarthy Blvd.
 Milpitas, CA 95035 www.linear.com
 Phone: (408)432-1900
 Fax: (408)434-0507
 LTC CONFIDENTIAL - FOR CUSTOMER USE ONLY

TITLE: SCHEMATIC
LOW NOISE HIGH SPEED SAR ADC FAMILY

SIZE	IC NO.	LTC238XCLX FAMILY	REV.
N/A		DEMO CIRCUIT 1826A	3

DATE: Thursday, January 12, 2012 SHEET 1 OF 3



CUSTOMER NOTICE

LINEAR TECHNOLOGY HAS MADE A BEST EFFORT TO DESIGN A CIRCUIT THAT MEETS CUSTOMER-SUPPLIED SPECIFICATIONS; HOWEVER, IT REMAINS THE CUSTOMER'S RESPONSIBILITY TO VERIFY PROPER AND RELIABLE OPERATION IN THE ACTUAL APPLICATION. COMPONENT SUBSTITUTION AND PRINTED CIRCUIT BOARD LAYOUT MAY SIGNIFICANTLY AFFECT CIRCUIT PERFORMANCE OR RELIABILITY. CONTACT LINEAR TECHNOLOGY APPLICATIONS ENGINEERING FOR ASSISTANCE.

C:\PADS PROJECTS\1826A\SCH\1826A_REV3.DSN

THIS CIRCUIT IS PROPRIETARY TO LINEAR TECHNOLOGY AND SUPPLIED FOR USE WITH LINEAR TECHNOLOGY PARTS.

APPROVALS

PCB DES. RB
APP ENG. GUY H.



1630 McCarthy Blvd.
Milpitas, CA 95035 www.linear.com
Phone: (408)432-1900
Fax: (408)434-0507

LTC CONFIDENTIAL - FOR CUSTOMER USE ONLY

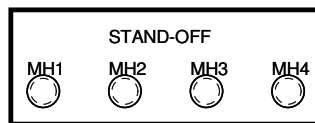
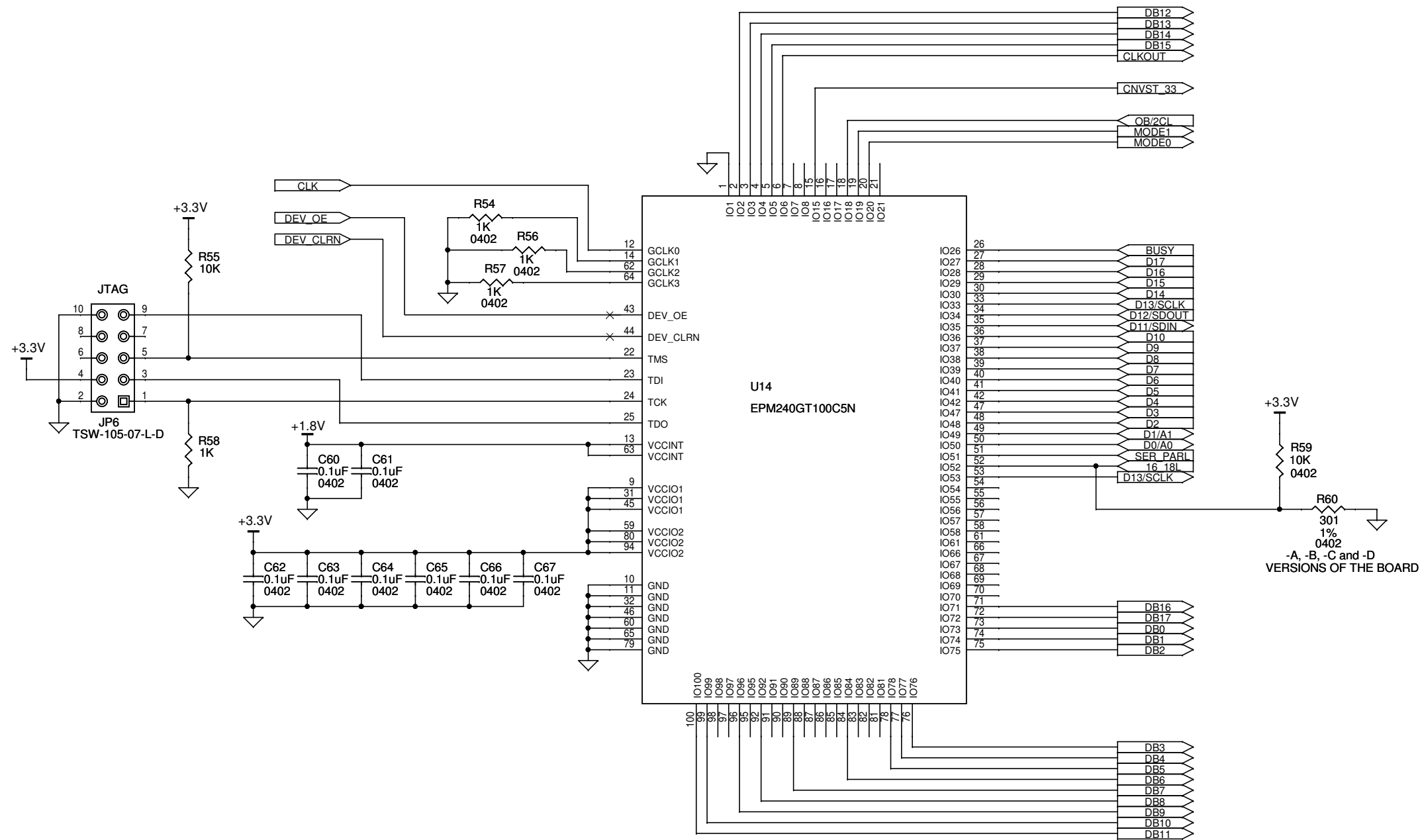
TITLE: SCHEMATIC

LOW NOISE HIGH SPEED SAR ADC FAMILY

SIZE N/A IC NO. LTC238XCLX FAMILY REV. 3
N/A DEMO CIRCUIT 1826A

DATE: Thursday, January 12, 2012 SHEET 2 OF 3

SCALE = NONE



CUSTOMER NOTICE

LINEAR TECHNOLOGY HAS MADE A BEST EFFORT TO DESIGN A CIRCUIT THAT MEETS CUSTOMER-SUPPLIED SPECIFICATIONS; HOWEVER, IT REMAINS THE CUSTOMER'S RESPONSIBILITY TO VERIFY PROPER AND RELIABLE OPERATION IN THE ACTUAL APPLICATION. COMPONENT SUBSTITUTION AND PRINTED CIRCUIT BOARD LAYOUT MAY SIGNIFICANTLY AFFECT CIRCUIT PERFORMANCE OR RELIABILITY. CONTACT LINEAR TECHNOLOGY APPLICATIONS ENGINEERING FOR ASSISTANCE.

C:\PADS PROJECTS\1826A\SCH\1826A_REV3.DSN

THIS CIRCUIT IS PROPRIETARY TO LINEAR TECHNOLOGY AND SUPPLIED FOR USE WITH LINEAR TECHNOLOGY PARTS.

APPROVALS

PCB DES. R.B

APP ENG. GUY H.

SCALE = NONE



1630 McCarthy Blvd.
Milpitas, CA 95035 www.linear.com
Phone: (408)432-1900
Fax: (408)434-0507

LTC CONFIDENTIAL - FOR CUSTOMER USE ONLY

TITLE: SCHEMATIC

LOW NOISE HIGH SPEED SAR ADC FAMILY

SIZE	IC NO.	LTC238XCLX FAMILY	REV.
N/A		DEMO CIRCUIT 1826A	3

DATE: Thursday, January 12, 2012 SHEET 3 OF 3