

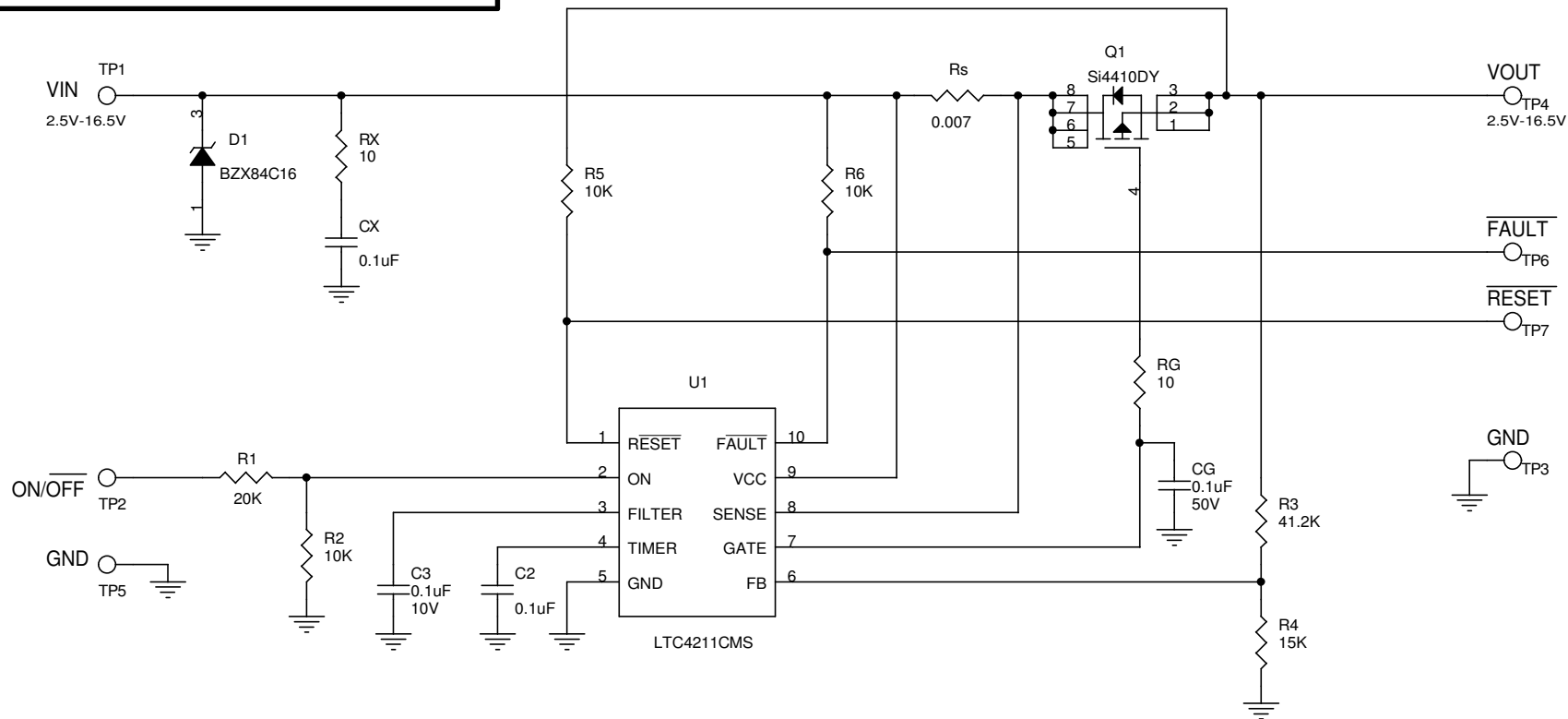
This circuit is proprietary to Linear Technology and supplied for use with Linear Technology parts.

Customer Notice: Linear Technology has made a best effort to design a circuit that meets customer-supplied specifications; however, it remains the customers responsibility to verify proper and reliable operation in the actual application, Component substitution and printed circuit board layout may significantly affect circuit performance or reliability. Contact Linear Applications Engineering for assistance.

LTC CONFIDENTIAL - For Customer Use Only

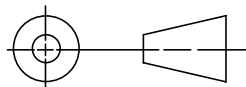
REVISION HISTORY

ECO	REV	DESCRIPTION	DATE	APPROVED
	1	PROTO	05-15-02	



VERSION	Q1	R5 (OHMS)	CURRENT (AMPS)
-A	Si4410DY	0.007	7A
-B	FDB8030L	0.0025	20A

UNLESS OTHERWISE SPECIFIED
DIMENSIONS ARE IN INCHES
TOLERANCE ON ANGLE ---
2 PLACES --- 3 PLACES ---
INTERPRET DIM AND TOL
PER ASME Y14.5M -1994



DO NOT SCALE DRAWING

CONTRACT NO.

APPROVALS

DATE

DRAWN MEI

05/15/02

CHECKED

APPROVED

ENGINEER

DESIGNER

Wednesday, September 15, 2004



1630 McCarthy Blvd.
Milpitas, CA 95035
Phone: (408)432-1900
Fax: (408)434-0507

TITLE SCH, LTC4211CMS HOT SWAP MULTIFUNCTION
CURRENT CONTROL

SIZE
A

CAGE CODE

DWG NO

DC536A

REV
1

SCALE: NONE

FILENAME: 536A-1.DSN

SHEET 1

OF 1