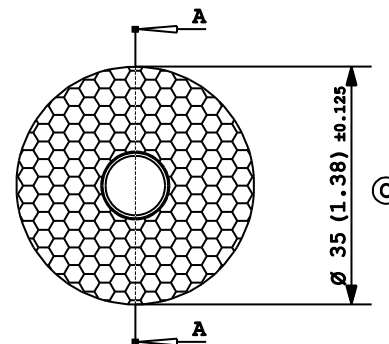
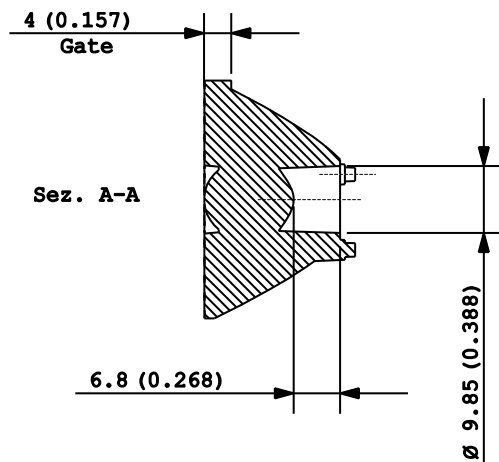
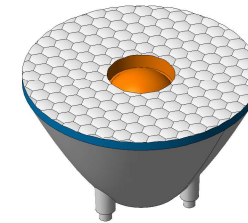
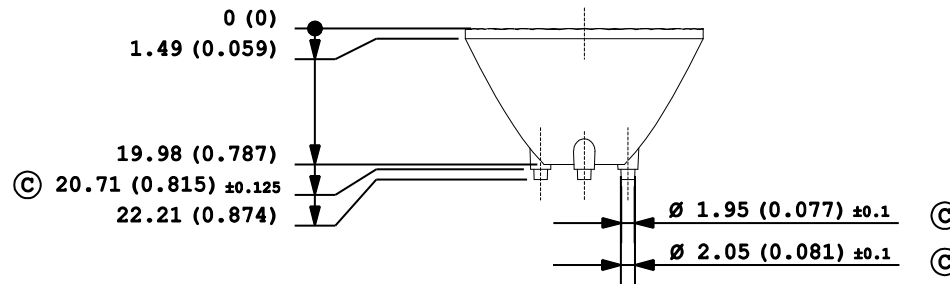
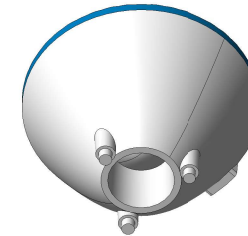
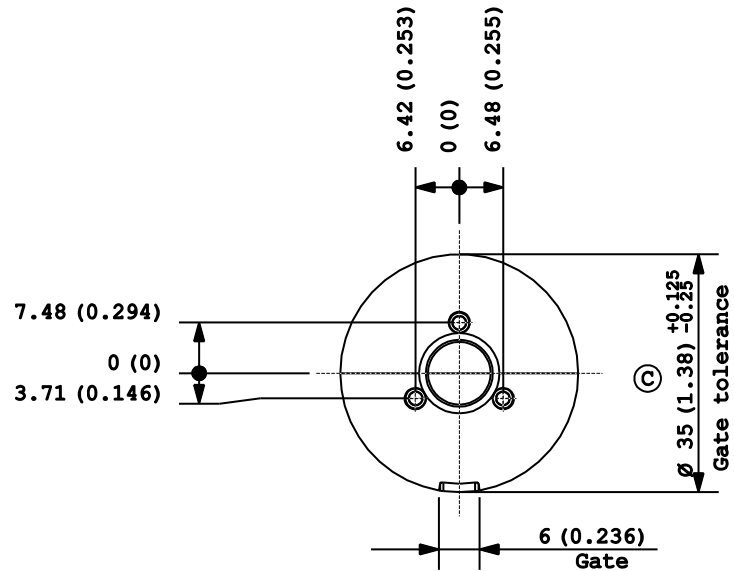


- Note:**
- Dimensions in inches into brackets
  - For missing dimensions see 3D file
  - WHITE surfaces mirror polished
  - BLUE surfaces embossed 25/27 VDI
  - ORANGE surfaces embossed 15/17 VDI
- Ⓢ = Quality Control Dimension (QCD)



<p>'' Project and design owned by Khatod OPTOELECTRONIC s. r. l. ''          The technical solutions adopted in this design are Khatod intellectual property, they cannot be reproduced and transmitted to third parties without our prior written permission.          Unauthorized disclosure of confidential proprietary information will be prosecuted by law.</p>						
DESCRIPTION :	LENS		DESIGNER :	LM/DP	PROJECTS :	544_1672
CODE :	PL 1672 NA		CHECKED :	DP	CONTROLLED :	DP
Khatod Via Alessandrina, 25 Cusano Milanino MILANO ITALIA WWW.KHATOD.COM		All Dimensions in mm General Tolerances +/-0.20 mm		HEAT TREATMENT: None		MATERIAL: Pmma 8N
		SCALE : 1 : 1		SHEET : 1 of 1		