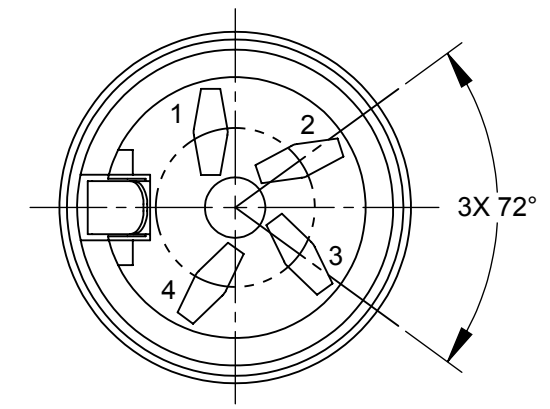
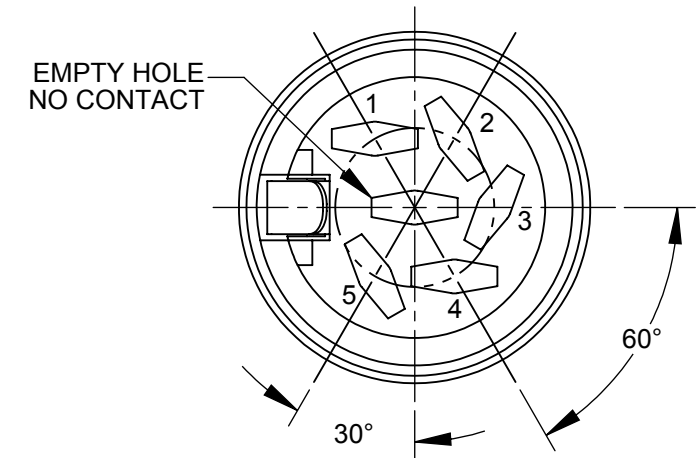


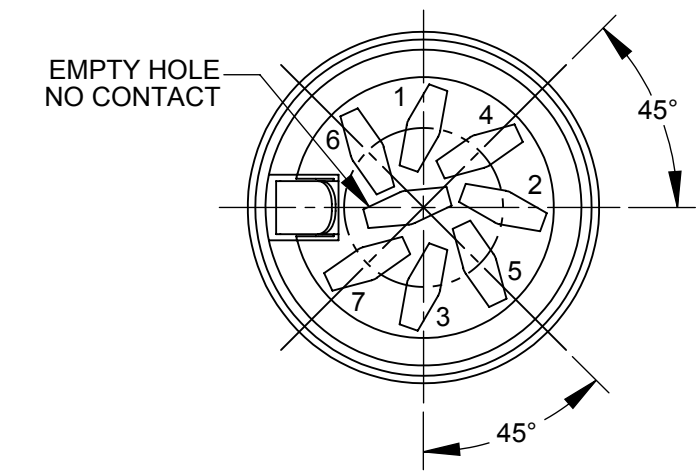
**57NC5FX**  
5 CONTACTS AT 180°



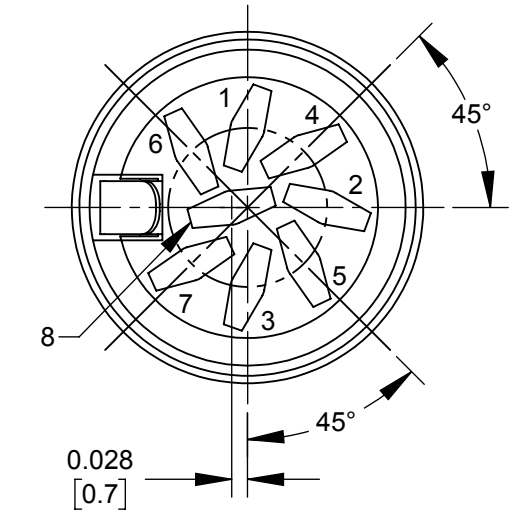
**60NC4FX**  
4 CONTACTS AT 216°



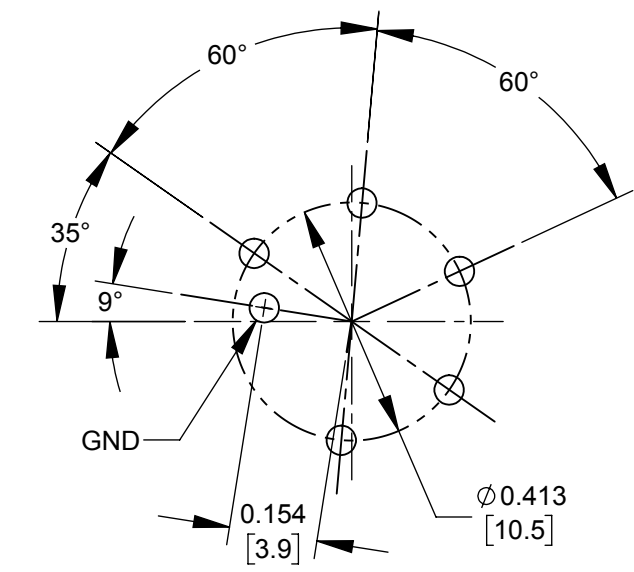
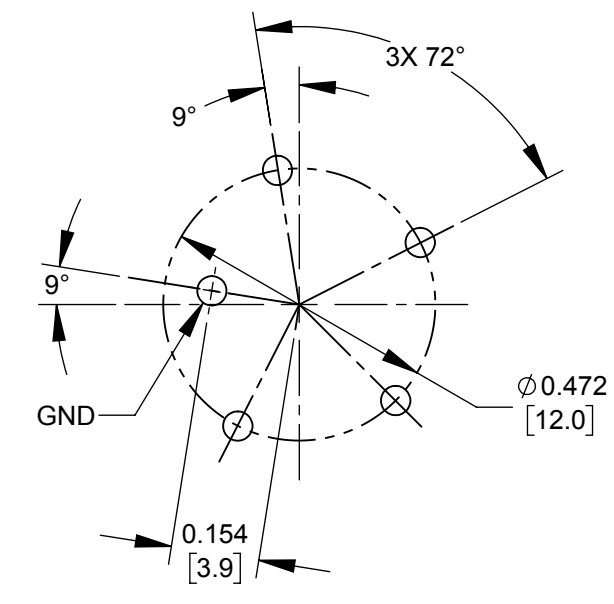
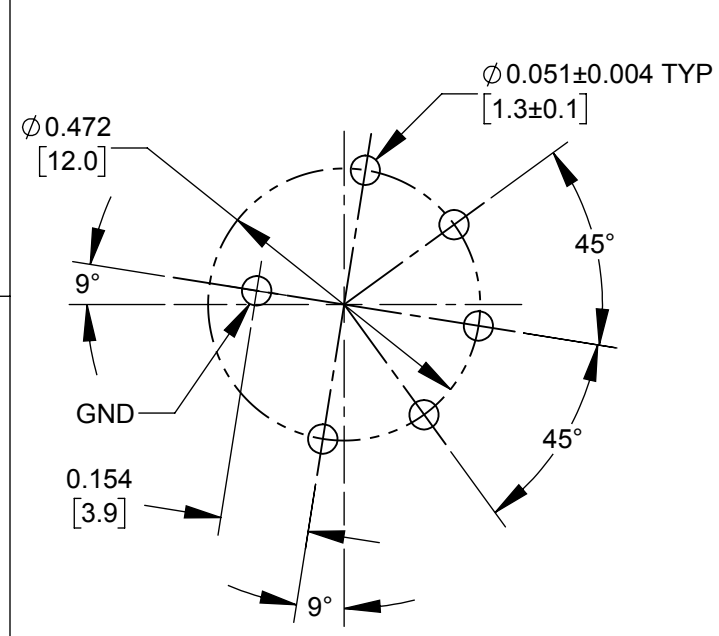
**61NC5FX**  
5 CONTACTS AT 240°



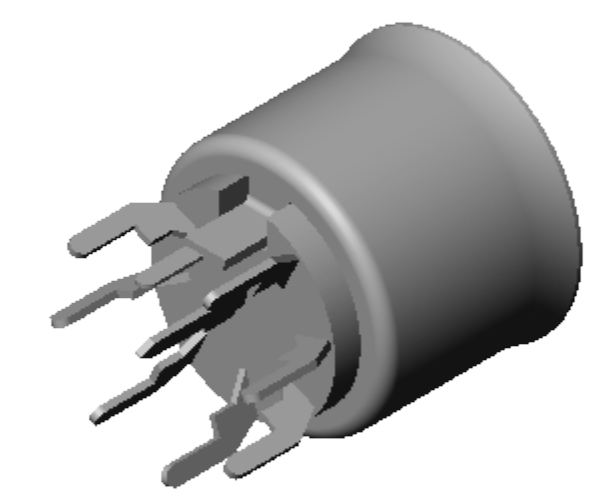
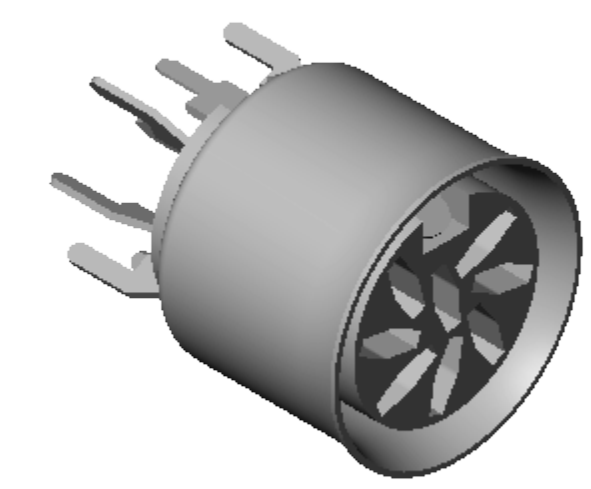
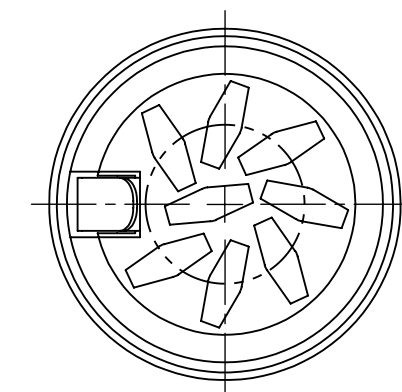
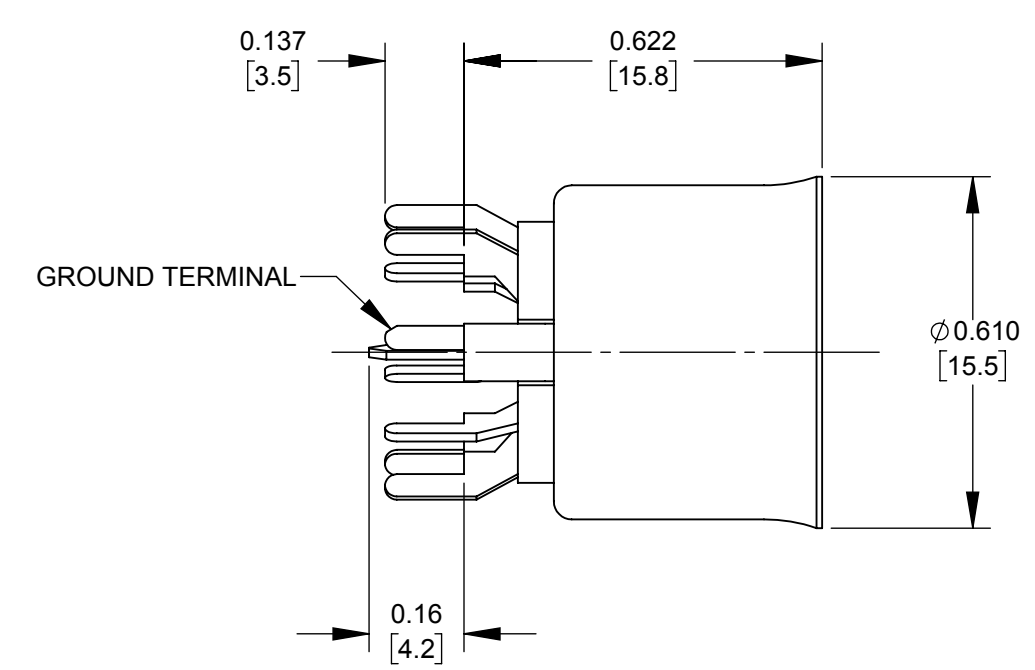
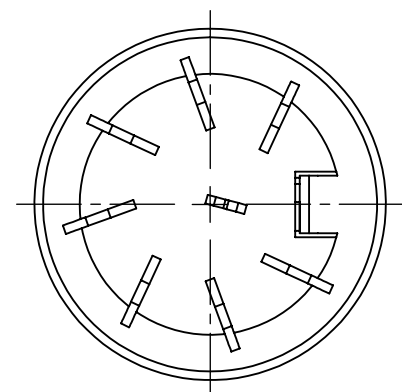
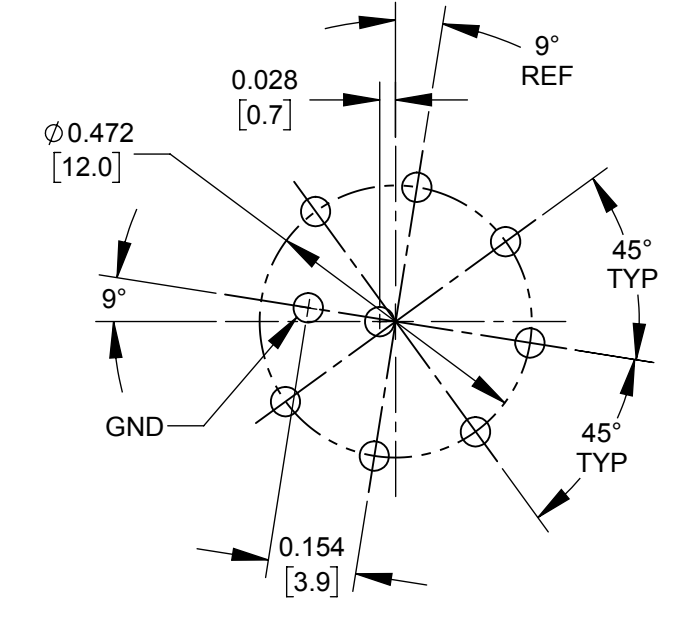
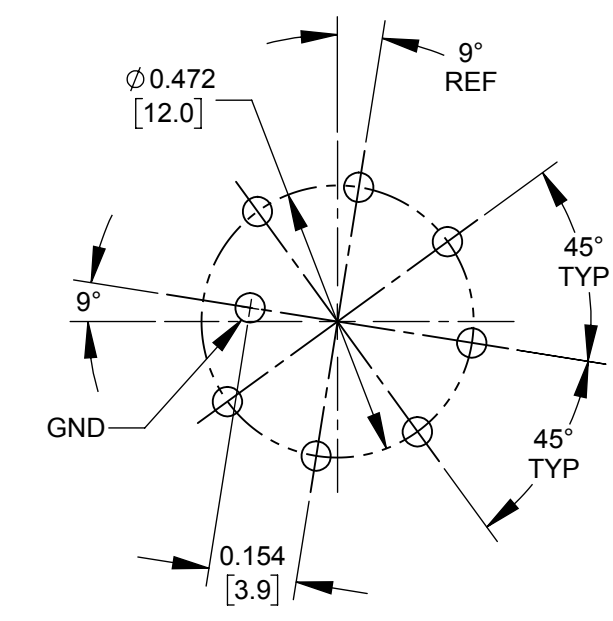
**62NC7FX**  
7 CONTACTS AT 270°



**62NC8FX**  
8 CONTACTS AT 270°



**PCB LAYOUTS**  
COMPONENT SIDE



**CUSTOMER DRAWING**

- NOTES:**
- MATERIALS:**  
HOUSING - DRAWN METAL, NICKEL PLATED  
INSERT - THERMOPLASTIC, BLACK  
TERMINALS - COPPER ALLOY, TIN PLATED
  - THIS PRODUCT IS RoHS COMPLIANT.

REV	ECO NUMBER	DATE	BY	APVD
B	28010	3/14/18	TJK	TJK
A	26251 & 26000	3/3/06	TJK	TJK

UNLESS OTHERWISE SPECIFIED  
1. ALL DIMENSIONS IN INCHES  
- TWO PLACE DECIMALS ±0.02  
- THREE PLACE DECIMALS ±0.005

**DO NOT SCALE DRAWING**

THIS DRAWING DESCRIBES A DESIGN CONSIDERED PROPRIETARY IN NATURE, DEVELOPED AND MANUFACTURED BY SWITCHCRAFT INC. AND IS RELEASED ON A CONFIDENTIAL BASIS FOR IDENTIFICATION PURPOSES ONLY.				
SIZE	WIDTH	MULT	LBS/M	TEMPER
FINISH		MATERIAL		
SPEC No.		SPEC No.		
FIRST USED ON		SCALE		
		3:1		
DATE DRAWN	BY	CHKD TO	APVD	
7-26-13	TO	7-29-13	TJK	
NAME		FEMALE DIN		PART No. 57NC_FX, 58NC_FX, 60NC_FX, 61NC_FX, 62NC_FX SERIES
3-8 PIN RECEPTACLE, RoHS				REV B



SHEET 1 OF 1