

FIGURE 1  
RECOMMENDED PANEL CUT-OUT

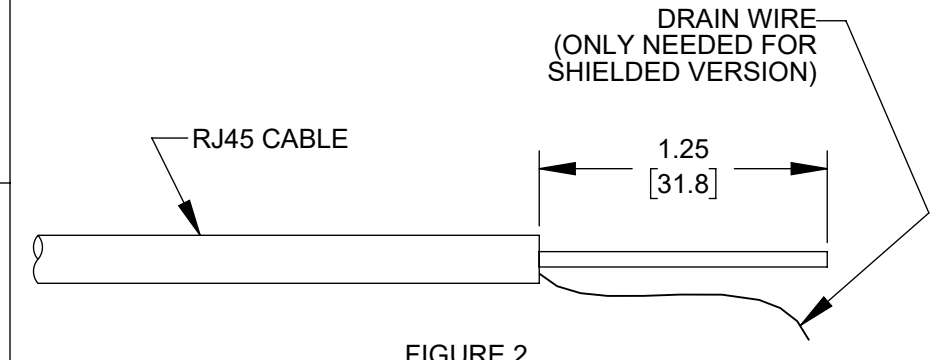


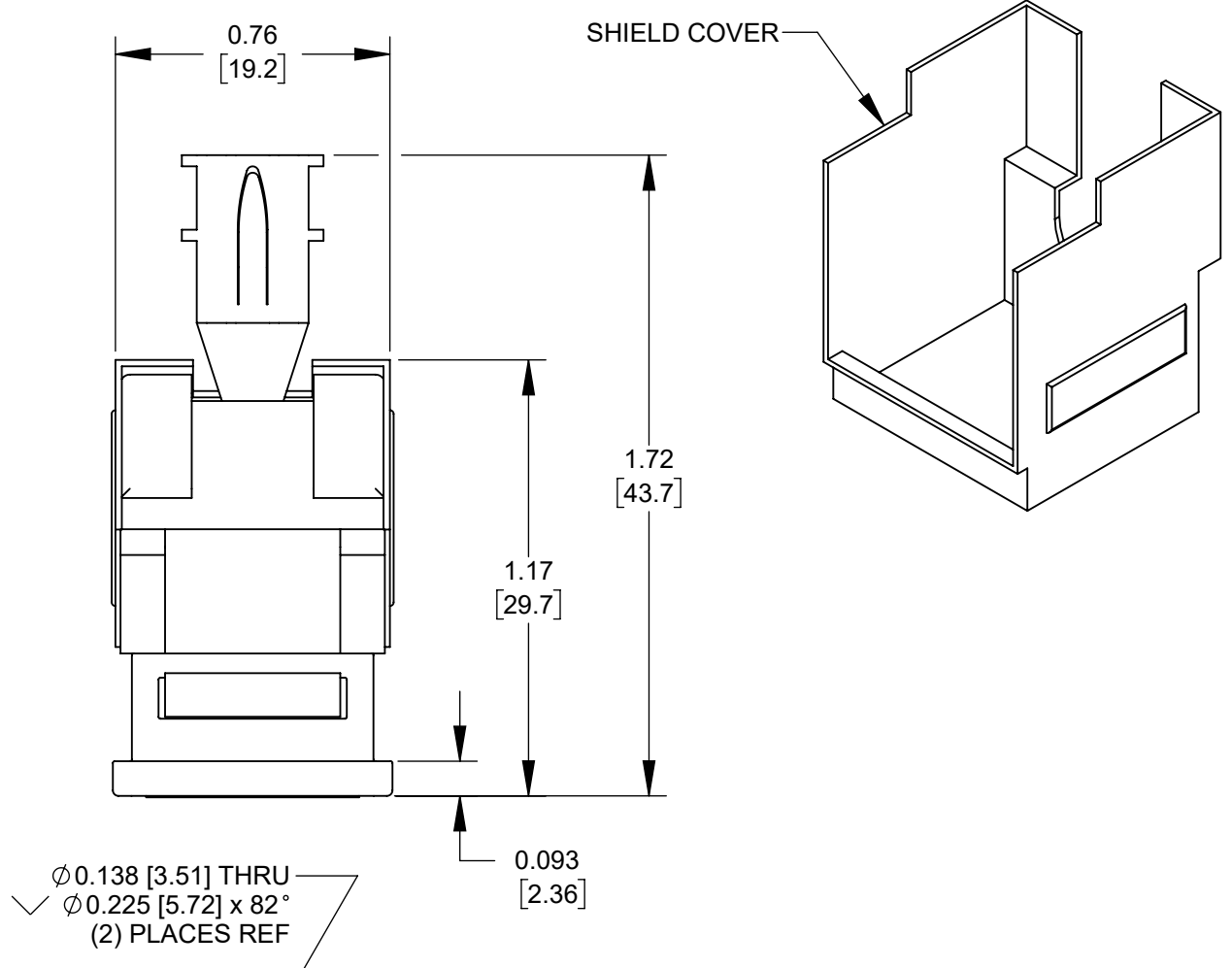
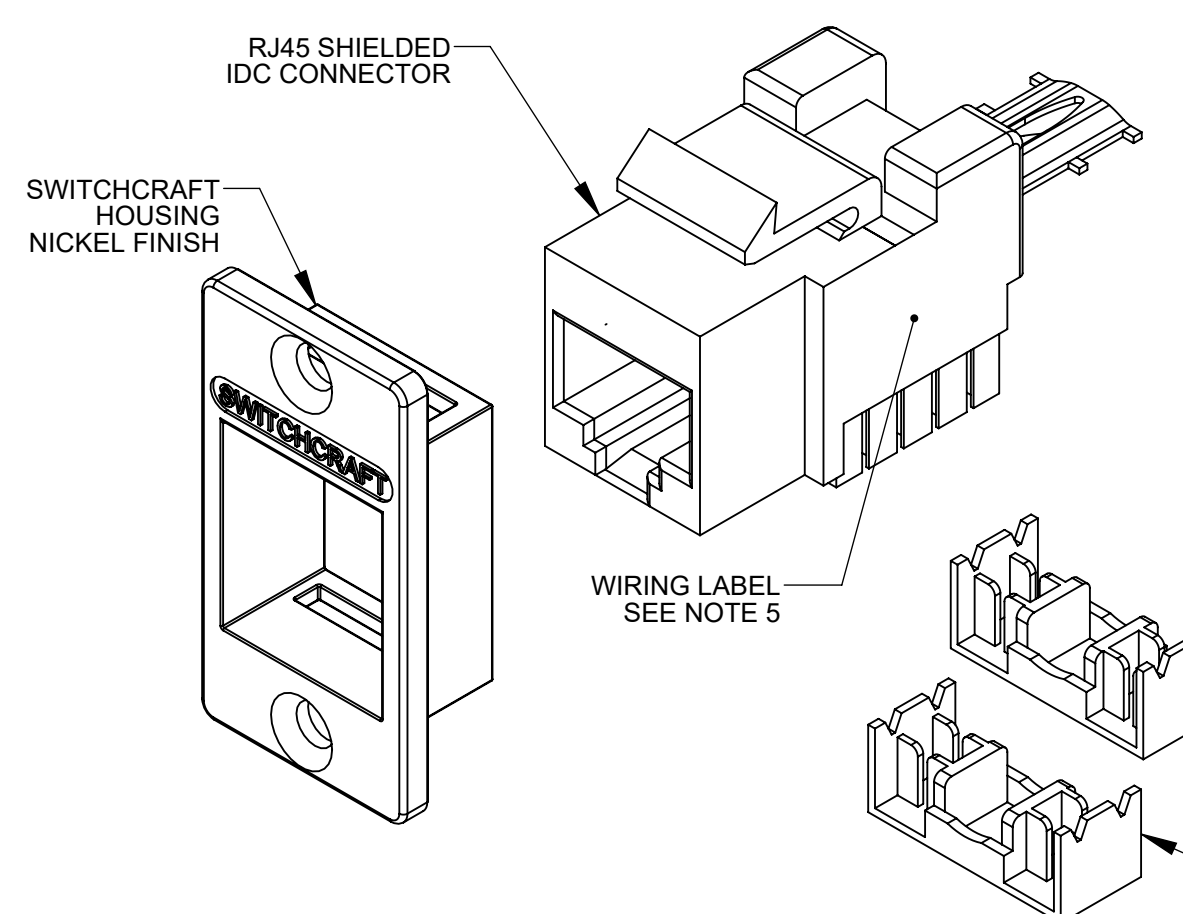
FIGURE 2  
RECOMMENDED CABLE STRIPPING DETAIL  
TYPICAL FOR ALL BREAKOUTS  
SEE NOTE 4

**ASSEMBLY INSTRUCTIONS:**

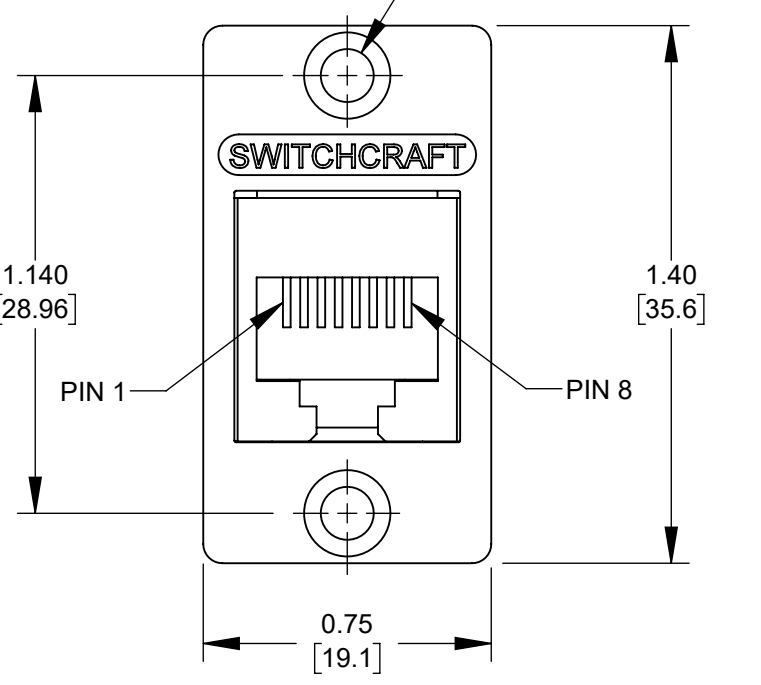
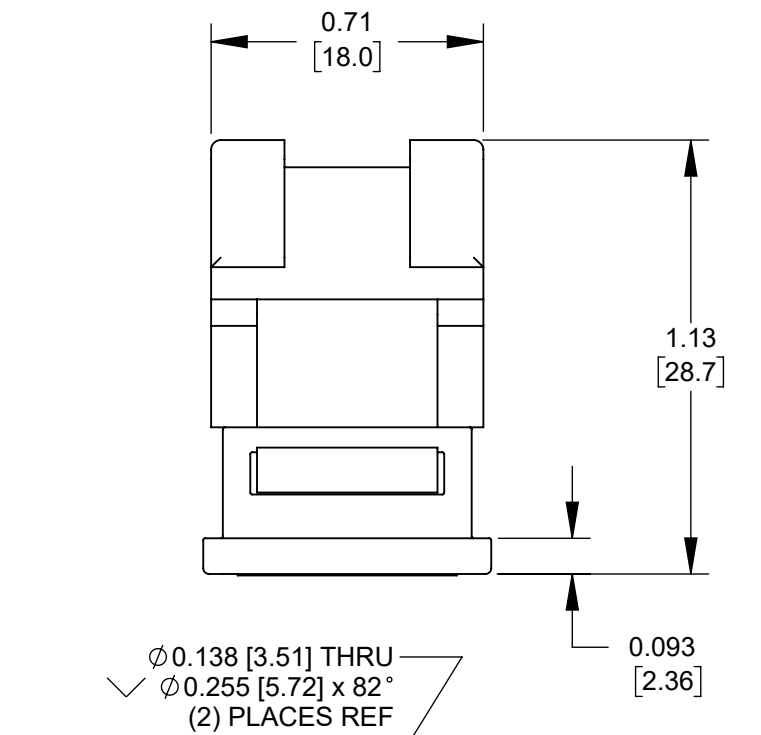
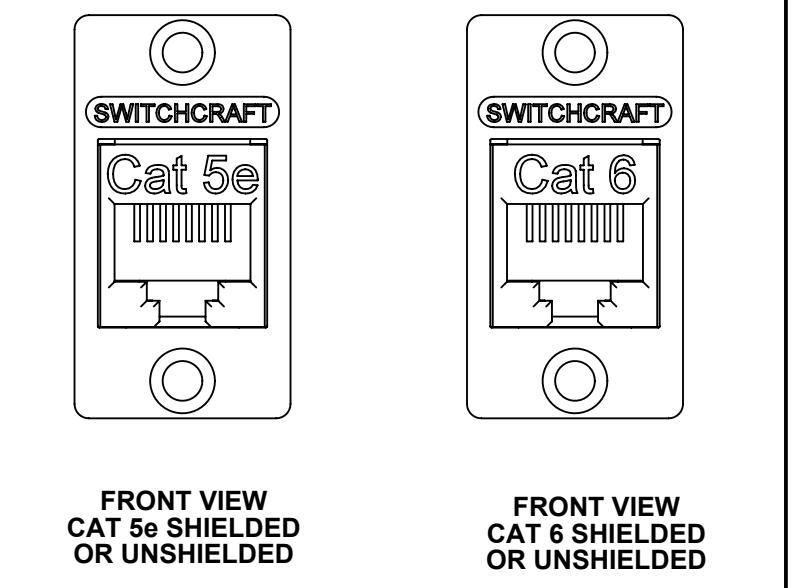
- A. INSTALL THE CABLE CONDUCTORS INTO THE RJ45 IDC CONNECTOR. SEE NOTE 5 AND FIGURE 2.
- B. TERMINATE THE CABLE USING A KRONE/110 PUNCHDOWN TOOL.
- C. **(FOR SHIELDED VERSION)** WRAP THE DRAIN WIRE AROUND THE CABLE DRAIN TIE BAR. USE THE CABLE TIE (NOT SHOWN) TO SECURE THE CABLE TO THE BAR.
- D. SNAP THE IDC CAPS OVER THE IDC BLOCK.
- E. **(FOR SHIELDED VERSION)** SLIDE THE SHIELDED COVER INTO PLACE.
- F. ASSEMBLE THE SWITCHCRAFT HOUSING ONTO THE FRONT OF THE PANEL USING THE RECOMMENDED PANEL CUT-OUT. SEE FIGURE 1.
- G. SNAP THE RJ45 IDC CONNECTOR INTO THE SWITCHCRAFT HOUSING FROM THE BACK OF THE PANEL.

| PART NUMBER   | RJ45 IDC CONNECTOR |
|---------------|--------------------|
| NHRJ45D5ESIDC | CAT5e SHIELDED     |
| NHRJ45D5EIDCB | CAT5e UNSHIELDED   |
| NHRJ45D6SIDC  | CAT6 SHIELDED      |
| NHRJ45D6IDCB  | CAT6 UNSHIELDED    |

- NOTES:**
1. THE RJ45 CAT 5e AND CAT 6 IDC CONNECTORS MEET TIA/EIA 568 B.2 STANDARD.
  2. **MATERIALS:**  
 SWITCHCRAFT HOUSING - ZINC ALLOY.  
 RJ45 IDC CONNECTOR  
 INSULATOR BODY- THERMOPLASTIC, BLACK  
 CONTACTS- COPPER ALLOY, GOLD PLATED (CONTACT AREA)  
 IDC TERMINALS- COPPER ALLOY, TIN PLATED  
 IDC CAPS- THERMOPLASTIC, WHITE  
**(SHIELDED VERSION ONLY)**  
 SHIELD- COPPER ALLOY, NICKEL PLATED  
 DRAIN WIRE TIE BAR - COPPER ALLOY, NICKEL PLATED
  3. **(SHIELDED VERSION ONLY)** FOR SHIELDING, TIE SHIELD/DRAIN WIRE TO THE TIE BAR AND SECURE WITH CABLE TIE PROVIDED (NOT SHOWN).
  4. 22-26 AWG STRANDED OR SOLID WIRE IS RECOMMENDED.
  5. THE RJ45 CONNECTOR CONTAINS A WIRING LABEL FOR T568A & T568B WIRING.
  6. FOR SCREWS TO BE SHIPPED WITH ASSEMBLY, ADD SUFFIX PKG TO PART NUMBER.
  7. WHEN MOUNTING ASSEMBLY, USE A SCREW TORQUE OF 10 INCH-LBS MAXIMUM.
  8. THIS PRODUCT IS RoHS COMPLIANT.



**SHEILDED RJ45**



**UNSHIELDED RJ45**

CUSTOMER DRAWING

| REV | ECO NUMBER | DATE     | BY | APVD |
|-----|------------|----------|----|------|
| A   | 28424      | 09/02/21 | PC | TJK  |

UNLESS OTHERWISE SPECIFIED  
 1. ALL DIMENSIONS IN INCHES [mm]  
 - TWO PLACE DECIMALS ±0.02 [0.5]  
 - THREE PLACE DECIMALS ±0.005 [0.13]

DO NOT SCALE DRAWING

|  |       |                   |                    |        |
|--|-------|-------------------|--------------------|--------|
| THIS DRAWING DESCRIBES A DESIGN CONSIDERED PROPRIETARY IN NATURE, DEVELOPED AND MANUFACTURED BY SWITCHCRAFT INC. AND IS RELEASED ON A CONFIDENTIAL BASIS FOR IDENTIFICATION PURPOSES ONLY. |       |                   |                    |        |
| SIZE   | WIDTH | MULT              | LBS/M              | TEMPER |
| FINISH SPEC No.  |       | MATERIAL SPEC No. |                    |        |
| FIRST USED ON  |       | SCALE 2:1         |                    |        |
| DATE DRAWN   | BY    | CHKD NS           | APVD SRC           |        |
| 7/30/21  | NS    | 7/30/21           | 7/30/21            |        |
| NAME   |       |                   | PART No.           | REV    |
| NH SERIES RJ45 RA IDC, RoHS  |       |                   | NHRJ45D_IDC_SERIES | A      |