

# ADT7475

## Remote Thermal Monitor and Fan Controller

The ADT7475 controller is a thermal monitor and multiple PWM fan controller for noise-sensitive or power-sensitive applications requiring active system cooling. The ADT7475 can drive a fan using either a low or high frequency drive signal, monitor the temperature of up to two remote sensor diodes plus its own internal temperature, and measure and control the speed of up to four fans so that they operate at the lowest possible speed for minimum acoustic noise.

The automatic fan speed control loop optimizes fan speed for a given temperature. The effectiveness of the system's thermal solution can be monitored using the  $\overline{\text{THERM}}$  input. The ADT7475 also provides critical thermal protection to the system using the bidirectional  $\overline{\text{THERM}}$  pin as an output to prevent system or component overheating.

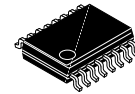
### Features

- Controls and Monitors Up to 4 Fans
- High and Low Frequency Fan Drive Signal
- 1 On-Chip and 2 Remote Temperature Sensors
- Extended Temperature Measurement Range, Up to 191°C
- Automatic Fan Speed Control Mode Controls System Cooling Based on Measured Temperature
- Enhanced Acoustic Mode Dramatically Reduces User Perception of Changing Fan Speeds
- Thermal Protection Feature via  $\overline{\text{THERM}}$  Output
- Monitors Performance Impact of Intel® Pentium® 4 Processor
- Thermal Control Circuit via  $\overline{\text{THERM}}$  Input
- 3-wire and 4-wire Fan Speed Measurement
- Limit Comparison of All Monitored Values
- Meets SMBus 2.0 Electrical Specifications (Fully SMBus 1.1 Compliant)
- These Devices are Pb-Free, Halogen Free/BFR Free and are RoHS Compliant



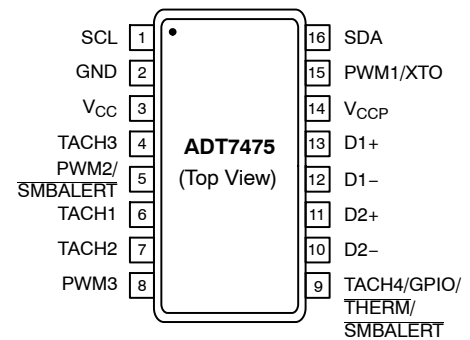
ON Semiconductor®

<http://onsemi.com>

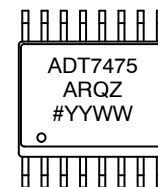


QSOP-16  
CASE 492

### PIN ASSIGNMENT



### MARKING DIAGRAM



ADT7475ARQZ = Specific Device Code  
# = Pb-Free Package  
YYWW = Date Code

### ORDERING INFORMATION

See detailed ordering and shipping information in the package dimensions section on page 57 of this data sheet.

# ADT7475

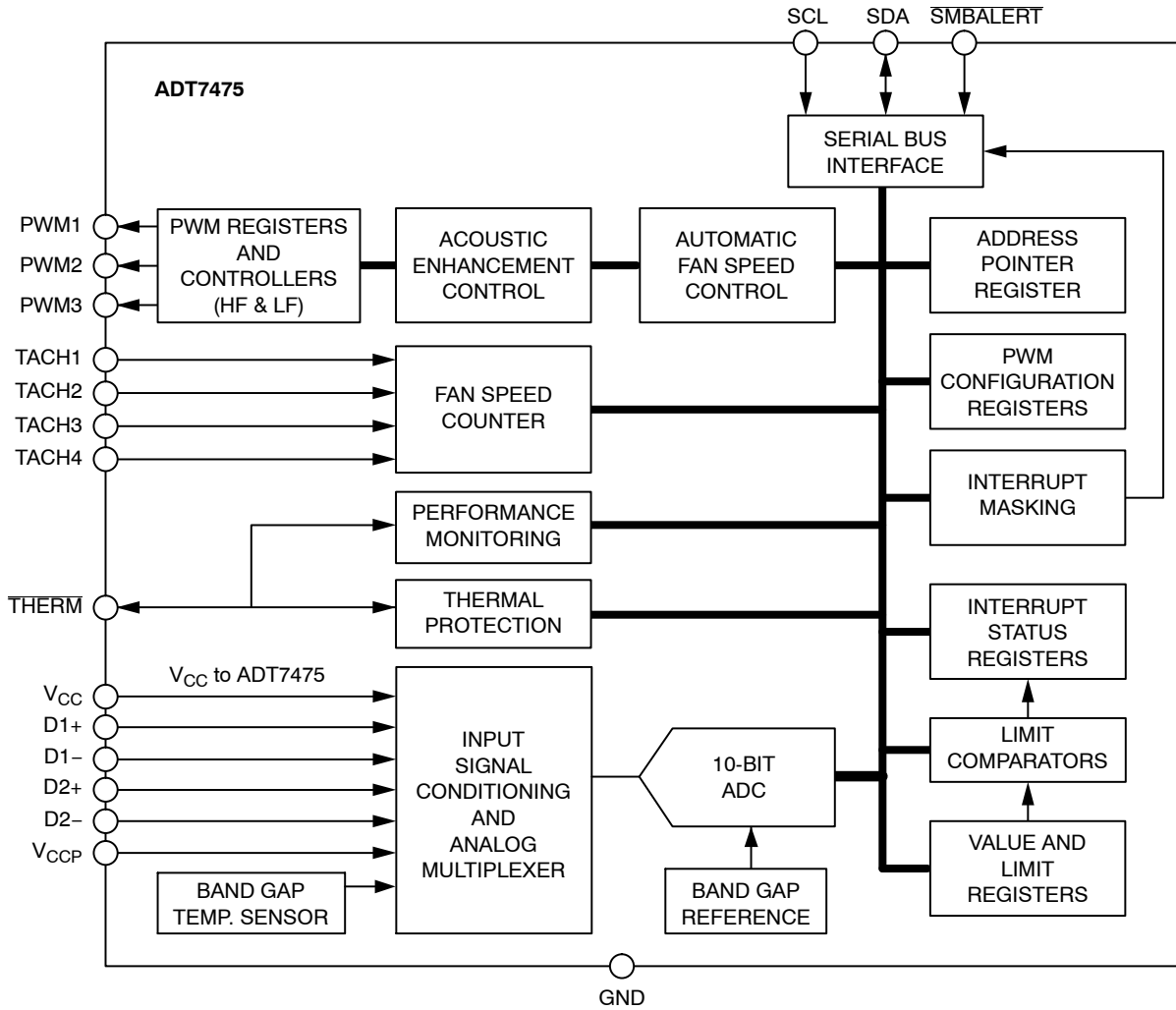


Figure 1. Functional Block Diagram

Table 1. ABSOLUTE MAXIMUM RATINGS

| Parameter   | Rating       | Unit               |
|---|--------------|--------------------|
| Positive Supply Voltage ( $V_{CC}$ )  | 3.6          | V                  |
| Voltage on Any Input or Output Pin  | -0.3 to +3.6 | V                  |
| Input Current at Any Pin  | $\pm 5$      | mA                 |
| Package Input Current   | $\pm 20$     | mA                 |
| Maximum Junction Temperature ( $T_{J\ MAX}$ )   | 150          | $^{\circ}\text{C}$ |
| Storage Temperature Range   | -65 to +150  | $^{\circ}\text{C}$ |
| Lead Temperature, Soldering<br>IR Reflow Peak Temperature<br>Lead Temperature (Soldering, 10 sec) | 260<br>300   | $^{\circ}\text{C}$ |
| ESD Rating  | 1,500        | V                  |

Stresses exceeding Maximum Ratings may damage the device. Maximum Ratings are stress ratings only. Functional operation above the Recommended Operating Conditions is not implied. Extended exposure to stresses above the Recommended Operating Conditions may affect device reliability.

NOTE: This device is ESD sensitive. Use standard ESD precautions when handling.

Table 2. THERMAL CHARACTERISTICS

| Package Type          | $\theta_{JA}$ | $\theta_{JC}$ | Unit                        |
|-----------------------|---------------|---------------|-----------------------------|
| 16-lead QSOP (Note 1) | 150           | 39            | $^{\circ}\text{C}/\text{W}$ |

1.  $\theta_{JA}$  is specified for the worst-case conditions, that is, a device soldered in a circuit board for surface-mount packages.

# ADT7475

**Table 3. PIN ASSIGNMENT**

| Pin No. | Mnemonic                                      | Description  |
|---------|---|--|
| 1       | SCL   | Digital Input (Open Drain). SMBus serial clock input. Requires SMBus pullup.   |
| 2       | GND   | Ground Pin.  |
| 3       | V <sub>CC</sub>                               | Power Supply. V <sub>CC</sub> is also monitored through this pin.  |
| 4       | TACH3   | Digital Input (Open Drain). Fan tachometer input to measure speed of Fan 3.  |
| 5       | PWM2<br><br><u>SMBALERT</u>                   | PWM2: Digital Output (Open Drain). Requires 10 kΩ typical pullup. Pulse-width modulated output to control Fan 2 speed. Can be configured as a high or low frequency drive.<br><br><u>SMBALERT</u> : Digital Output (Open Drain). This pin can be reconfigured as an <u>SMBALERT</u> interrupt output to signal out-of-limit conditions.  |
| 6       | TACH1   | Digital Input (Open Drain). Fan tachometer input to measure the speed of Fan 1.  |
| 7       | TACH2   | Digital Input (Open Drain). Fan tachometer input to measure the speed of Fan 2.  |
| 8       | PWM3  | Digital I/O (Open Drain). Pulse-width modulated output to control the speed of Fan 3 and Fan 4. Requires 10 kΩ typical pullup. Can be configured as a high or low frequency drive.   |
| 9       | TACH4<br>THERM<br><br>GPIO<br><u>SMBALERT</u> | TACH4: Digital Input (Open Drain). Fan tachometer input to measure the speed of Fan 4.<br>THERM: Digital I/O (Open Drain). Alternatively, this pin can be reconfigured as a bidirectional THERM pin that can be used to time and monitor assertions on the THERM input. For example, the pin can be connected to the PROCHOT output of an Intel® Pentium® 4 processor or to the output of a trip point temperature sensor. This pin can be used as an output to signal overtemperature conditions.<br>GPIO: General-Purpose Open Drain Digital I/O.<br><u>SMBALERT</u> : Digital Output (Open Drain). This pin can be reconfigured as an <u>SMBALERT</u> interrupt output to signal out-of-limit conditions. |
| 10      | D2-   | Cathode Connection to Second Thermal Diode.  |
| 11      | D2+   | Anode Connection to Second Thermal Diode.  |
| 12      | D1-   | Cathode Connection to First Thermal Diode.   |
| 13      | D1+   | Anode Connection to First Thermal Diode.   |
| 14      | VCCP  | Analog Input. Monitors processor core voltage (0 V to 3.0 V).  |
| 15      | PWM1<br><br>XTO                               | Digital Output (Open Drain). Pulse-width modulated output to control Fan 1 speed. Requires 10 kΩ typical pullup.<br><br>Also functions as the output from the XNOR tree in XNOR test mode.   |
| 16      | SDA   | Digital I/O (Open Drain). SMBus bidirectional serial data. Requires 10 kΩ typical pullup.  |

# ADT7475

**Table 4. ELECTRICAL CHARACTERISTICS** ( $T_A = T_{MIN}$  to  $T_{MAX}$ ,  $V_{CC} = V_{MIN}$  to  $V_{MAX}$ , unless otherwise noted.) (Note 1)

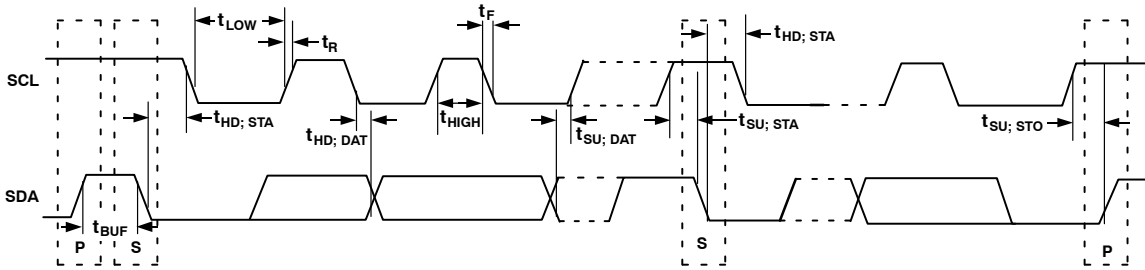
| Parameter  | Conditions   | Min                  | Typ                           | Max                 | Unit               |
|--|--|----------------------|-------------------------------|---------------------|--------------------|
| <b>Power Supply</b>  |  |                      |                               |                     |                    |
| Supply Voltage   |  | 3.0                  | 3.3                           | 3.6                 | V                  |
| Supply Current, $I_{CC}$   | Interface Inactive, ADC Active   | –                    | 1.5                           | 3.0                 | mA                 |
| <b>Temperature-to-Digital Converter</b>                            |  |                      |                               |                     |                    |
| Local Sensor Accuracy  | $0^{\circ}\text{C} \leq T_A \leq 85^{\circ}\text{C}$<br>$-40^{\circ}\text{C} \leq T_A \leq +125^{\circ}\text{C}$ | –                    | $\pm 0.5$                     | $\pm 1.5$           | $^{\circ}\text{C}$ |
| Resolution   |  | –                    | 0.25                          | $\pm 2.5$           | –                  |
| Remote Diode Sensor Accuracy                                       | $0^{\circ}\text{C} \leq T_A \leq 85^{\circ}\text{C}$<br>$-40^{\circ}\text{C} \leq T_A \leq +125^{\circ}\text{C}$ | –                    | $\pm 0.5$                     | 1.5                 | $^{\circ}\text{C}$ |
| Resolution   |  | –                    | 0.25                          | $\pm 2.5$           | –                  |
| Remote Sensor Source Current                                       | High Level<br>Low Level  | –                    | 180<br>11                     | –                   | $\mu\text{A}$      |
| <b>ANALOG-TO-DIGITAL CONVERTER (INCLUDING MUX AND ATTENUATORS)</b> |  |                      |                               |                     |                    |
| Total Unadjusted Error (TUE)                                       |  | –                    | –                             | $\pm 1.5$           | %                  |
| Differential Non-linearity (DNL)                                   | 8 Bits   | –                    | –                             | $\pm 1$             | LSB                |
| Power Supply Sensitivity   |  | –                    | $\pm 0.1$                     | –                   | %/V                |
| Conversion Time (Voltage Input)                                    | Averaging Enabled  | –                    | 11                            | –                   | ms                 |
| Conversion Time (Local Temperature)                                | Averaging Enabled  | –                    | 12                            | –                   | ms                 |
| Conversion Time (Remote Temperature)                               | Averaging Enabled  | –                    | 38                            | –                   | ms                 |
| Total Monitoring Cycle Time  | Averaging Enabled<br>Averaging Disabled  | –                    | 145<br>19                     | –                   | ms                 |
| Input Resistance   | For $V_{CCP}$ Channel  | 70                   | 120                           | –                   | k $\Omega$         |
| <b>FAN RPM-TO-DIGITAL CONVERTER</b>                                |  |                      |                               |                     |                    |
| Accuracy   | $0^{\circ}\text{C} \leq T_A \leq 70^{\circ}\text{C}$<br>$-40^{\circ}\text{C} \leq T_A \leq +120^{\circ}\text{C}$ | –                    | –                             | $\pm 6$<br>$\pm 10$ | %                  |
| Full-Scale Count   |  | –                    | –                             | 65,535              |                    |
| Nominal Input RPM  | Fan Count = 0xBFFF<br>Fan Count = 0x3FFF<br>Fan Count = 0x0438<br>Fan Count = 0x021C                             | –                    | 109<br>329<br>5,000<br>10,000 | –                   | RPM                |
| <b>OPEN-DRAIN DIGITAL OUTPUTS (PWM1 TO PWM3, XTO)</b>              |  |                      |                               |                     |                    |
| Current Sink, $I_{OL}$   |  | –                    | –                             | 8.0                 | mA                 |
| Output Low Voltage, $V_{OL}$                                       | $I_{OUT} = -8.0\text{ mA}$   | –                    | –                             | 0.4                 | V                  |
| High Level Output Current, $I_{OH}$                                | $V_{OUT} = V_{CC}$   | –                    | 0.1                           | 20                  | $\mu\text{A}$      |
| <b>OPEN-DRAIN SERIAL DATA BUS OUTPUT (SDA)</b>                     |  |                      |                               |                     |                    |
| Output Low Voltage, $V_{OL}$                                       | $I_{OUT} = -4.0\text{ mA}$   | –                    | –                             | 0.4                 | V                  |
| High Level Output Current, $I_{OH}$                                | $V_{OUT} = V_{CC}$   | –                    | 0.1                           | 1.0                 | $\mu\text{A}$      |
| <b>SMBus DIGITAL INPUTS (SCL, SDA)</b>                             |  |                      |                               |                     |                    |
| Input High Voltage, $V_{IH}$                                       |  | 2.0                  | –                             | –                   | V                  |
| Input Low Voltage, $V_{IL}$  |  | –                    | –                             | 0.4                 | V                  |
| Hysteresis   |  | –                    | 500                           | –                   | mV                 |
| <b>DIGITAL INPUT LOGIC LEVELS (TACH INPUTS)</b>                    |  |                      |                               |                     |                    |
| Input High Voltage, $V_{IH}$                                       | Maximum Input Voltage  | 2.0                  | –                             | –                   | V                  |
| Input Low Voltage, $V_{IL}$  | Minimum Input Voltage  | –                    | –                             | 0.8                 | V                  |
| Hysteresis   |  | –                    | 0.5                           | –                   | V p-p              |
| <b>DIGITAL INPUT LOGIC LEVELS (THERM) ADTL+</b>                    |  |                      |                               |                     |                    |
| Input High Voltage, $V_{IH}$                                       |  | $0.75 \times V_{CC}$ | –                             | –                   | V                  |
| Input Low Voltage, $V_{IL}$  |  | –                    | –                             | 0.8                 | V                  |

# ADT7475

**Table 4. ELECTRICAL CHARACTERISTICS** ( $T_A = T_{MIN}$  to  $T_{MAX}$ ,  $V_{CC} = V_{MIN}$  to  $V_{MAX}$ , unless otherwise noted.) (Note 1)

| Parameter  | Conditions                 | Min | Typ     | Max   | Unit    |
|--|----------------------------|-----|---------|-------|---------|
| <b>DIGITAL INPUT CURRENT</b>                     |                            |     |         |       |         |
| Input High Current, $I_{IH}$                     | $V_{IN} = V_{CC}$          | -   | $\pm 1$ | -     | $\mu A$ |
| Input Low Current, $I_{IL}$                      | $V_{IN} = 0 V$             | -   | $\pm 1$ | -     | $\mu A$ |
| Input Capacitance, $C_{IN}$                      |                            | -   | 5       | -     | pF      |
| <b>SERIAL BUS TIMING</b> (Note 2) (See Figure 2) |                            |     |         |       |         |
| Clock Frequency, $f_{SCLK}$                      |                            | 10  | -       | 400   | kHz     |
| Glitch Immunity, $t_{SW}$                        |                            | -   | -       | 50    | ns      |
| Bus Free Time, $t_{BUF}$                         |                            | 4.7 | -       | -     | $\mu s$ |
| SCL Low Time, $t_{LOW}$                          |                            | 4.7 | -       | -     | $\mu s$ |
| SCL High Time, $t_{HIGH}$                        |                            | 4.0 | -       | 50    | $\mu s$ |
| SCL, SDA Rise Time, $t_R$                        |                            | -   | -       | 1,000 | ns      |
| SCL, SDA Fall Time, $t_F$                        |                            | -   | -       | 300   | $\mu s$ |
| Data Setup Time, $t_{SU: DAT}$                   |                            | 250 | -       | -     | ns      |
| Detect Clock Low Timeout, $t_{TIMEOUT}$          | Can be Optionally Disabled | 15  | -       | 35    | ms      |

1. All voltages are measured with respect to GND, unless otherwise specified. Typicals are at  $T_A = 25^\circ C$  and represent the most likely parametric norm. Logic inputs accept input high voltages of up to  $V_{MAX}$ , even when the device is operating down to  $V_{MIN}$ . Timing specifications are tested at logic levels of  $V_{IL} = 0.8 V$  for a falling edge and  $V_{IH} = 2.0 V$  for a rising edge.
2. SMBus timing specifications are guaranteed by design and are not production tested.



**Figure 2. Serial Bus Timing Diagram**

TYPICAL PERFORMANCE CHARACTERISTICS

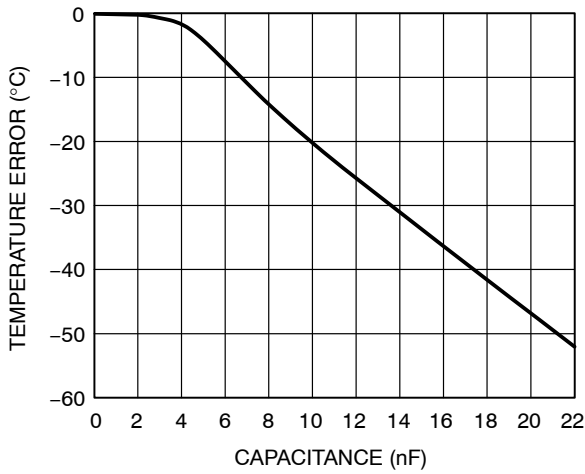


Figure 3. Temperature Error vs. Capacitance Between D+ and D-

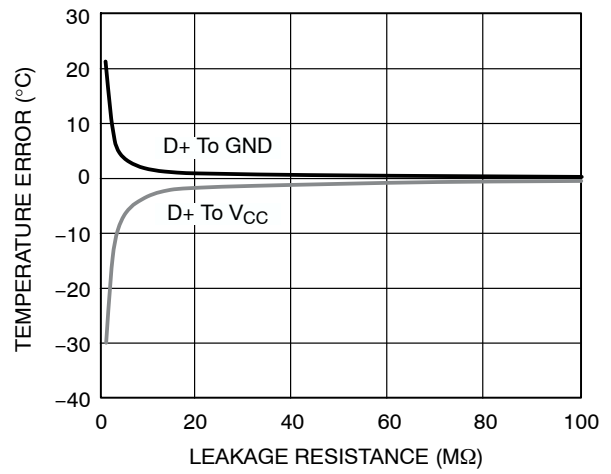


Figure 4. Remote Temperature Error vs. PCB Resistance

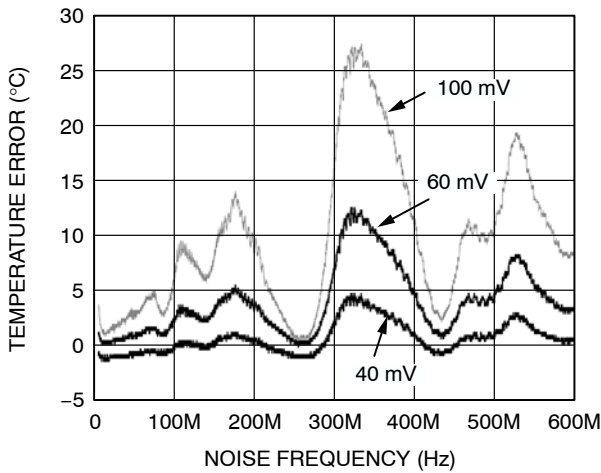


Figure 5. Remote Temperature Error vs. Common-Mode Noise Frequency

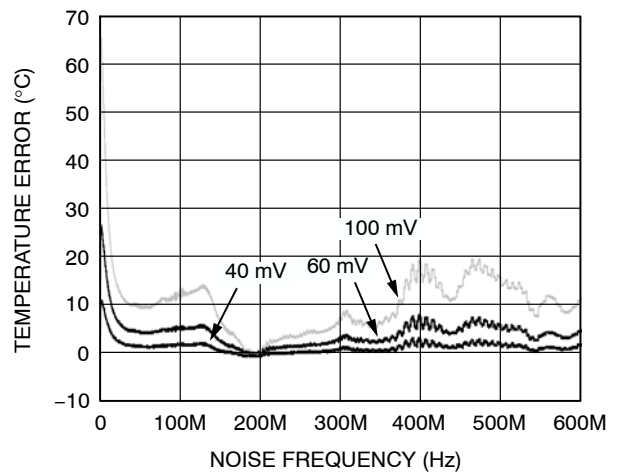


Figure 6. Remote Temperature Error vs. Differential-Mode Noise Frequency



Figure 7. Normal I<sub>DD</sub> vs. Power Supply

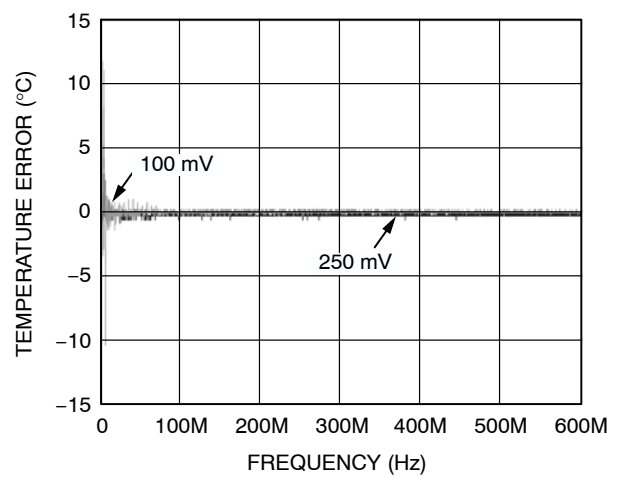
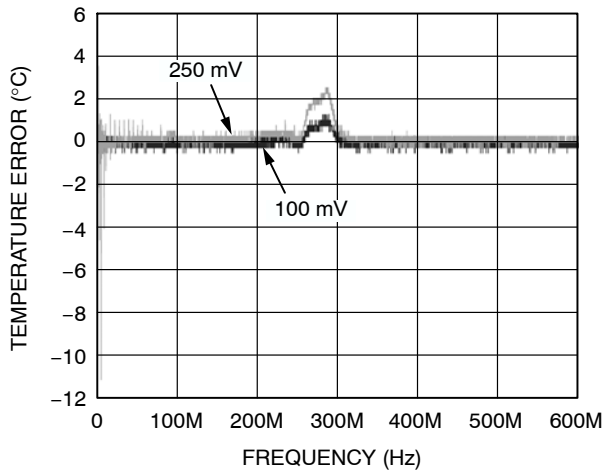


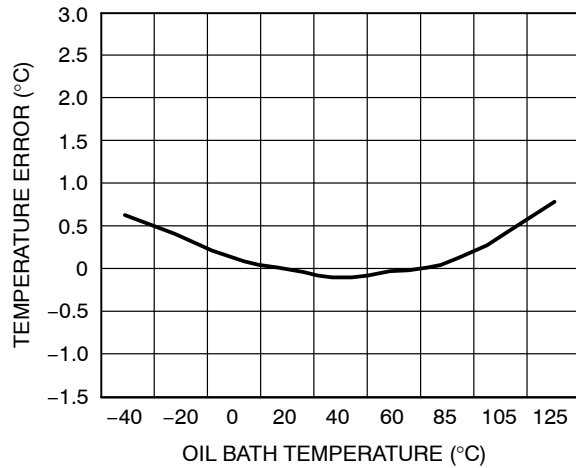
Figure 8. Internal Temperature Error vs. Power Supply Noise

# ADT7475

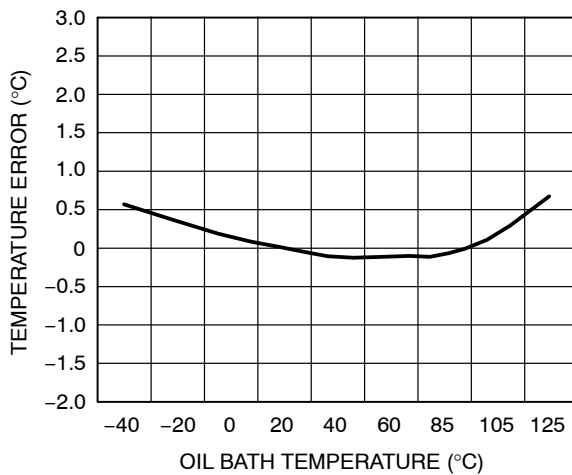
## TYPICAL PERFORMANCE CHARACTERISTICS (Cont'd)



**Figure 9. Remote Temperature Error vs. Power Supply Noise Frequency**



**Figure 10. Internal Temperature Error vs. ADT7475 Temperature**



**Figure 11. Remote Temperature Error vs. ADT7475 Temperature**

# ADT7475

## Product Description

The ADT7475 is a complete thermal monitor and multiple fan controller for any system requiring thermal monitoring and cooling. The device communicates with the system via a serial system management bus. The serial bus controller has a serial data line for reading and writing addresses and data (Pin 16), and an input line for the serial clock (Pin 1). All control and programming functions for the ADT7475 are performed over the serial bus. In addition, a pin can be reconfigured as an SMBALERT output to signal out-of-limit conditions.

## Quick Comparison Between ADT7473 and ADT7475

- The ADT7473 supports advanced dynamic  $T_{MIN}$  features while the ADT7475 does not.
- Acoustic smoothing is improved on the ADT7475.
- THERM can be selected as an output only on the ADT7475.
- The ADT7475 has two additional configuration registers.
- The ADT7475 has other minor register changes.

The ADT7475 is similar to the ADT7473 in that it is powered by a supply no greater than 3.6 V. Exceeding this

specification results in irreversible damage to the ADT7475. Signal pins (TACH/PWM) should be pulled up or clamped to 3.6 V maximum. See the Specifications Section for more information.

## Recommended Implementation

Configuring the ADT7475 as shown in Figure 12 allows the system designer to use the following features:

- Two PWM outputs for fan control of up-to-three fans (the front and rear chassis fans are connected in parallel).
- Three TACH fan speed measurement inputs
- $V_{CC}$  measured internally through Pin 3.
- CPU temperature measured using the Remote 1 temperature channel.
- Ambient temperature measured through the Remote 2 temperature channel.
- Bidirectional THERM pin. This feature allows Intel® Pentium® 4 PROCHOT monitoring and can function as an overtemperature THERM output. The THERM pin can alternatively be programmed as an SMBALERT system interrupt output.

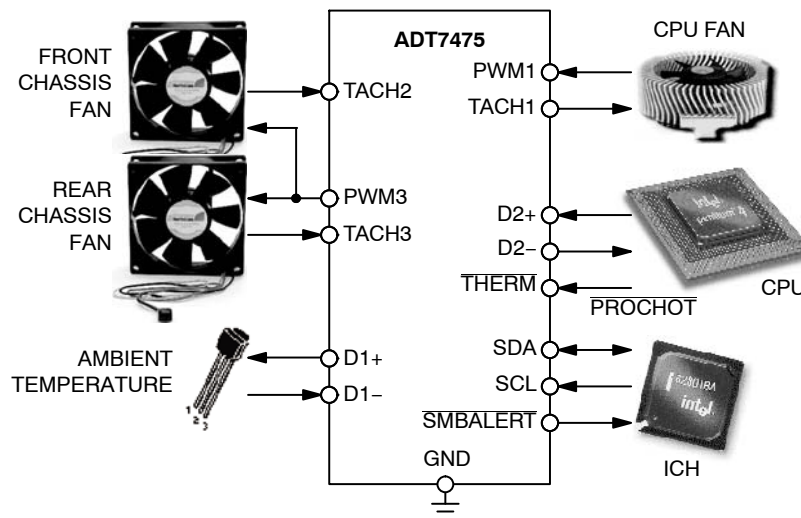


Figure 12. ADT7475 Configuration

## Serial Bus Interface

On PCs and servers, control of the ADT7475 is carried out using the SMBus. The ADT7475 is connected to this bus as a slave device under the control of a master controller, which is usually (but not necessarily) the ICH.

The ADT7475 has a fixed 7-bit serial bus address of 0101110 or 0x2E. The read/write bit must be added to get the 8-bit address (01011100 or 0x5C). Data is sent over the serial bus in sequences of nine clock pulses, that is, eight bits of data followed by an acknowledge bit from the slave device. Transitions on the data line must occur during the low period of the clock signal and remain stable during the high period

because a low-to-high transition when the clock is high may be interpreted as a stop signal. The number of data bytes that can be transmitted over the serial bus in a single read or write operation is limited only by what the master and slave devices can handle.

When all data bytes are read or written, stop conditions are established. In write mode, the master pulls the data line high during the tenth clock pulse to assert a stop condition. In read mode, the master device overrides the acknowledge bit by pulling the data line high during the low period before the ninth clock pulse; this is known as no acknowledge. The master takes the data line low during the low period before



the tenth clock pulse, and then high during the tenth clock pulse to assert a stop condition.

Any number of bytes of data can be transferred over the serial bus in one operation, but it is not possible to mix read and write in one operation because the type of operation is determined at the beginning and cannot subsequently be changed without starting a new operation.

In the ADT7475, write operations contain either one or two bytes, and read operations contain one byte. To write data to one of the device data registers or read data from it, the address pointer register must be set so that the correct data register is addressed, and then data can be written to that register or read from it. The first byte of a write operation always contains an address that is stored in the address pointer register. If data is to be written to the device, the write operation contains a second data byte that is written to the register selected by the address pointer register.

This write operation is shown in Figure 13. The device address is sent over the bus, and then  $R/\overline{W}$  is set to 0. This is followed by two data bytes. The first data byte is the address of the internal data register to write to, which is

stored in the address pointer register. The second data byte is the data to write to the internal data register.

When reading data from a register, there are two possibilities:

1. If the ADT7475 address pointer register value is unknown or not the desired value, it must first be set to the correct value before data can be read from the desired data register. This is done by performing a write to the ADT7475 as before, but only the data byte containing the register address is sent, because no data is written to the register see Figure 14.

A read operation is then performed consisting of the serial bus address; the  $R/\overline{W}$  bit set to 1, followed by the data byte read from the data register see Figure 15.

2. If the address pointer register is known to be already at the desired address, data can be read from the corresponding data register without first writing to the address pointer register see Figure 15.

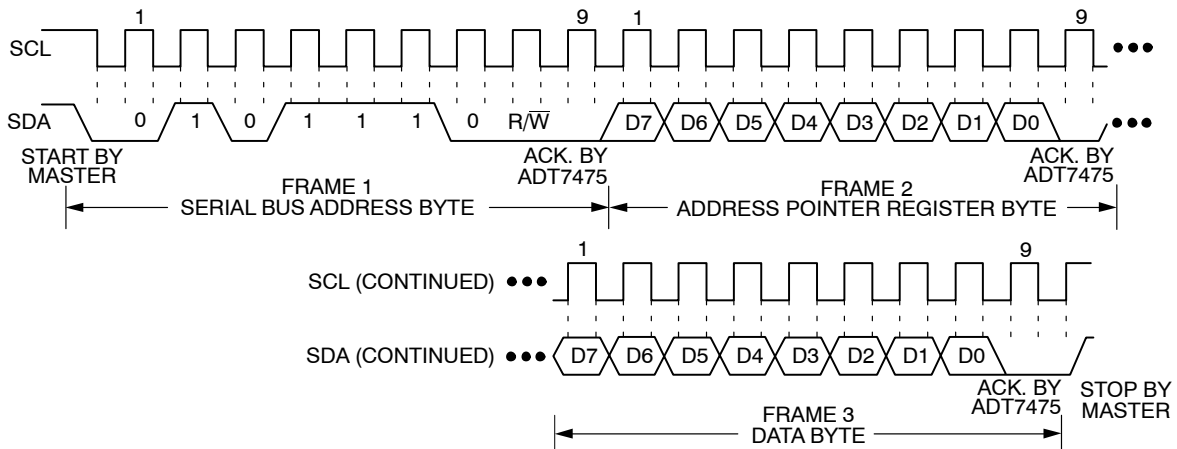


Figure 13. Writing a Register Address to the Address Pointer Register, then Writing Data to the Selected Register

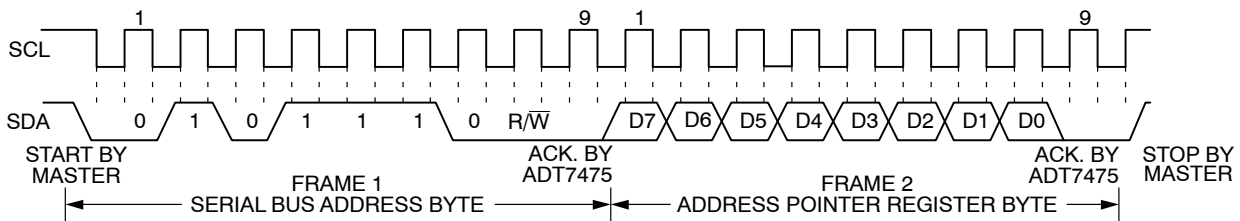


Figure 14. Writing to the Address Pointer Register Only

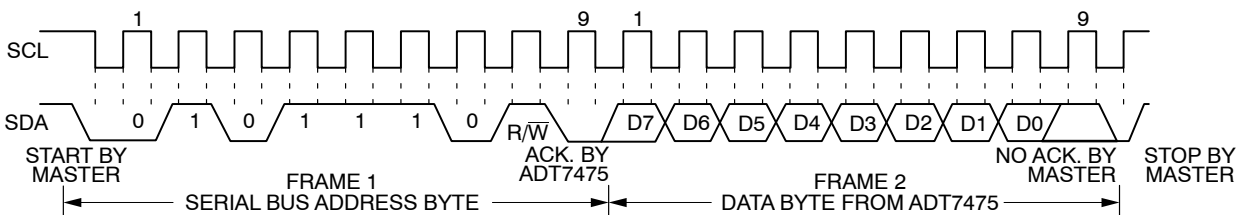


Figure 15. Reading Data from a Previously Selected Register

It is possible to read a data byte from a data register without first writing to the address pointer register if the address pointer register is already at the correct value. However, it is not possible to write data to a register without writing to the address pointer register because the first data byte of a write is always written to the address pointer register.

In addition to supporting the send byte and receive byte protocols, the ADT7475 also supports the read byte protocol (for more information, see System Management Bus Specifications Rev. 2.0, available from Intel).

If several read or write operations must be performed in succession, the master can send a repeat start condition instead of a stop condition to begin a new operation.

**Write Operations**

The SMBus specification defines several protocols for different types of read and write operations. The ones used in the ADT7475 are discussed in this section. The following abbreviations are used in the diagrams:

- S – Start
- P – Stop
- R – Read
- W – Write
- A – Acknowledge
- $\bar{A}$  – No acknowledge

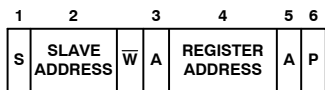
The ADT7475 uses the following SMBus write protocols.

**Send Byte**

In this operation, the master device sends a single command byte to a slave device as follows:

1. The master device asserts a start condition on SDA.
2. The master sends the 7-bit slave address followed by the write bit (low).
3. The addressed slave device asserts ACK on SDA.
4. The master sends a command code.
5. The slave asserts ACK on SDA.
6. The master asserts a stop condition on SDA and the transaction ends.

For the ADT7475, the send byte protocol is used to write a register address to RAM for a subsequent single-byte read from the same address. This operation is shown in Figure 16.



**Figure 16. Setting a Register Address for Subsequent Read**

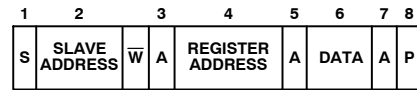
If the master is required to read data from the register immediately after setting up the address, it can assert a repeat start condition immediately after the final ACK and carry out a single-byte read without asserting an intermediate stop condition.

**Write Byte**

In this operation, the master device sends a command byte and one data byte to the slave device as follows:

1. The master device asserts a start condition on SDA.
2. The master sends the 7-bit slave address followed by the write bit (low).
3. The addressed slave device asserts ACK on SDA.
4. The master sends a command code.
5. The slave asserts ACK on SDA.
6. The master sends a data byte.
7. The slave asserts ACK on SDA.
8. The master asserts a stop condition on SDA and the transaction ends.

The byte write operation is shown in Figure 17.



**Figure 17. Single-byte Write to a Register**

**Read Operations**

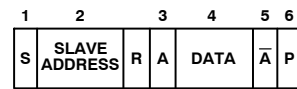
The ADT7475 uses the following SMBus read protocols.

**Receive Byte**

This operation is useful when repeatedly reading a single register. The register address must be set up previously. In this operation, the master device receives a single byte from a slave device as follows:

1. The master device asserts a start condition on SDA.
2. The master sends the 7-bit slave address followed by the read bit (high).
3. The addressed slave device asserts ACK on SDA.
4. The master receives a data byte.
5. The master asserts NO ACK on SDA.
6. The master asserts a stop condition on SDA, and the transaction ends.

In the ADT7475, the receive byte protocol is used to read a single byte of data from a register whose address has previously been set by a send byte or write byte operation. This operation is shown in Figure 18.



**Figure 18. Single-byte Read from a Register**

**Alert Response Address**

Alert response address (ARA) is a feature of SMBus devices that allows an interrupting device to identify itself to the host when multiple devices exist on the same bus.

The  $\overline{\text{SMBALERT}}$  output can be used as either an interrupt output or an  $\overline{\text{SMBALERT}}$ . One or more outputs can be connected to a common  $\overline{\text{SMBALERT}}$  line connected to the

master. If a device's  $\overline{\text{SMBALERT}}$  line goes low, the following events occur:

1.  $\overline{\text{SMBALERT}}$  is pulled low.
2. The master initiates a read operation and sends the alert response address (ARA = 0001 100). This general call address must not be used as a specific device address.
3. The device whose  $\overline{\text{SMBALERT}}$  output is low responds to the alert response address, and the master reads its device address. The address of the device is now known and can be interrogated in the usual way.
4. If more than one device's  $\overline{\text{SMBALERT}}$  output is low, the one with the lowest device address has priority in accordance with normal SMBus arbitration.
5. Once the ADT7475 has responded to the alert response address, the master must read the status registers, and the  $\overline{\text{SMBALERT}}$  is cleared only if the error condition has gone away.

**SMBus Timeout**

The ADT7475 includes an SMBus timeout feature. If there is no SMBus activity for 35 ms, the ADT7475 assumes that the bus is locked and releases the bus. This prevents the device from locking or holding the SMBus expecting data. Some SMBus controllers cannot handle the SMBus timeout feature, so it can be disabled.

**Table 5. CONFIGURATION REGISTER 1 (REG. 0X40)**

| Bit       | Description   |
|-----------|---|
| <6> TODIS | 0: SMBus Timeout Enabled (Default)<br>1: SMBus Timeout Disabled |

**Virus Protection**

To prevent rogue programs or viruses from accessing critical ADT7475 register settings, the lock bit can be set. Setting Bit 1 of Configuration Register 1 (0x40) sets the lock bit and locks critical registers. In this mode, certain registers can no longer be written to until the ADT7475 is powered down and powered up again. For more information on which registers are locked, see the Register Tables section.

**Voltage Measurement Input**

The ADT7475 has one external voltage measurement channel. It can also measure its own supply voltage,  $V_{CC}$ . Pin 14 can measure  $V_{CCP}$ . The  $V_{CC}$  supply voltage measurement is carried out through the  $V_{CC}$  pin (Pin 3). The  $V_{CCP}$  input can be used to monitor a chipset supply voltage in computer systems.

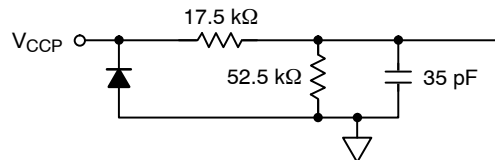
**Analog-to-Digital Converter**

All analog inputs are multiplexed into the on-chip, successive approximation, analog-to-digital converter. This has a resolution of 10 bits. The basic input range is 0 V to 2.25 V, but the input has built-in attenuators to allow

measurement of  $V_{CCP}$  without any external components. To allow for the tolerance of the supply voltage, the ADC produces an output of 3/4 full scale (decimal 768 or 300 hex) for the nominal input voltage and so has adequate headroom to deal with overvoltages.

**Input Circuitry**

The internal structure for the  $V_{CCP}$  analog input is shown in Figure 19. The input circuit consists of an input protection diode, an attenuator, and a capacitor to form a first-order, low-pass filter that gives the input immunity to high frequency noise.



**Figure 19. Structure of Analog Inputs**

**Table 6. VOLTAGE MEASUREMENT REGISTERS**

| Register | Description       | Default |
|----------|-------------------|---------|
| 0x21     | $V_{CCP}$ Reading | 0x00    |
| 0x22     | $V_{CCP}$ Reading | 0x00    |

**$V_{CCP}$  Limit Registers**

Associated with the  $V_{CCP}$  measurement channel is a high and low limit register. Exceeding the programmed high or low limit causes the appropriate status bit to be set. Exceeding either limit can also generate  $\overline{\text{SMBALERT}}$  interrupts.

**Table 7.  $V_{CCP}$  LIMIT REGISTERS**

| Register | Description          | Default |
|----------|----------------------|---------|
| 0x46     | $V_{CCP}$ Low Limit  | 0x00    |
| 0x47     | $V_{CCP}$ High Limit | 0xFF    |

Table 10 shows the input ranges of the analog inputs and output codes of the 10-bit ADC.

When the ADC is running, it samples and converts a voltage input in 711  $\mu\text{s}$  and averages 16 conversions to reduce noise; a measurement takes nominally 11.38 ms.

**Extended Resolution Registers**

Voltage measurements can be made with higher accuracy using the extended resolution registers (0x76 and 0x77). Whenever the extended resolution registers are read, the corresponding data in the voltage measurement registers is locked until their data is read. That is, if extended resolution is required, then the extended resolution register must be read first, immediately followed by the appropriate voltage measurement register.

**Additional ADC Functions for Voltage Measurements**

A number of other functions are available on the ADT7475 to offer the system designer increased flexibility.

# ADT7475

## Turn-off Averaging

For each voltage measurement read from a value register, 16 readings have been made internally, and the results averaged, before being placed into the value register. For instances where faster conversions are needed, setting Bit 4 of Configuration Register 2 (0x73) turns averaging off. This effectively gives a reading 16 times faster (711  $\mu$ s), but the reading may be noisier.

## Bypass Voltage Input Attenuator

Setting Bit 5 of Configuration Register 2 (0x73) removes the attenuation circuitry from the  $V_{CCP}$  input. This allows the user to directly connect external sensors or to rescale the analog voltage measurement inputs for other applications. The input range of the ADC without the attenuators is 0 V to 2.25 V.

## Single-Channel ADC Conversion

Setting Bit 6 of Configuration Register 2 (0x73) places the ADT7475 into single-channel ADC conversion mode. In this mode, the ADT7475 can be made to read a single voltage channel only. If the internal ADT7475 clock is used, the selected input is read every 711  $\mu$ s. The appropriate ADC

channel is selected by writing to Bits <7:5> of the TACH1 minimum high byte register (0x55).

**Table 8. SINGLE-CHANNEL ADC CONVERSION**

| Register 0x55, Bits <7:5> | Channel Selected     |
|---------------------------|----------------------|
| 001                       | $V_{CCP}$            |
| 010                       | $V_{CC}$             |
| 101                       | Remote 1 Temperature |
| 110                       | Local Temperature    |
| 111                       | Remote 2 Temperature |

**Table 9. CONFIGURATION REGISTER 2 (REG. 0X73)**

| Bit | Description                    |
|-----|--------------------------------|
| <4> | 1: Averaging Off               |
| <5> | 1: Bypass Input Attenuators    |
| <6> | 1: Single-channel Convert Mode |

## TACH1 Minimum High Byte (0x55)

Bits <7:5> select the ADC channel for single-channel convert mode.

**Table 10. 10-BIT ADC OUTPUT CODE VS.  $V_{IN}$**

| ADC Output                        |                  |                 |                  |
|-----------------------------------|------------------|-----------------|------------------|
| $V_{CC}$ (3.3 $V_{IN}$ ) (Note 1) | $V_{CCP}$        | Decimal         | Binary (10 Bits) |
| <0.0042                           | <0.00293         | 0               | 00000000 00      |
| 0.0042 to 0.0085                  | 0.0293 to 0.0058 | 1               | 00000000 01      |
| 0.0085 to 0.0128                  | 0.0058 to 0.0087 | 2               | 00000000 10      |
| 0.0128 to 0.0171                  | 0.0087 to 0.0117 | 3               | 00000000 11      |
| 0.0171 to 0.0214                  | 0.0117 to 0.0146 | 4               | 00000001 00      |
| 0.0214 to 0.0257                  | 0.0146 to 0.0175 | 5               | 00000001 01      |
| 0.0257 to 0.0300                  | 0.0175 to 0.0205 | 6               | 00000001 10      |
| 0.0300 to 0.0343                  | 0.0205 to 0.0234 | 7               | 00000001 11      |
| 0.0343 to 0.0386                  | 0.0234 to 0.0263 | 8               | 00000010 00      |
| -                                 | -                | -               | -                |
| 1.100 to 1.1042                   | 0.7500 to 0.7529 | 256 (1/4 scale) | 01000000 00      |
| -                                 | -                | -               | -                |
| 2.200 to 2.2042                   | 1.5000 to 1.5029 | 512 (1/2 scale) | 10000000 00      |
| -                                 | -                | -               | -                |
| 3.300 to 3.3042                   | 2.2500 to 2.2529 | 768 (3/4 scale) | 11000000 00      |
| -                                 | -                | -               | -                |
| 4.3527 to 4.3570                  | 2.9677 to 2.9707 | 1013            | 11111101 01      |
| 4.3570 to 4.3613                  | 2.9707 to 2.9736 | 1014            | 11111101 10      |
| 4.3613 to 4.3656                  | 2.9736 to 2.9765 | 1015            | 11111101 11      |
| 4.3656 to 4.3699                  | 2.9765 to 2.9794 | 1016            | 11111110 00      |
| 4.3699 to 4.3742                  | 2.9794 to 2.9824 | 1017            | 11111110 01      |
| 4.3742 to 4.3785                  | 2.9824 to 2.9853 | 1018            | 11111110 10      |
| 4.3785 to 4.3828                  | 2.9853 to 2.9882 | 1019            | 11111110 11      |
| 4.3828 to 4.3871                  | 2.9882 to 2.9912 | 1020            | 11111111 00      |
| 4.3871 to 4.3914                  | 2.9912 to 2.9941 | 1021            | 11111111 01      |
| 4.3914 to 4.3957                  | 2.9941 to 2.9970 | 1022            | 11111111 10      |
| >4.3957                           | >2.9970          | 1023            | 11111111 11      |

1. The  $V_{CC}$  output codes listed assume that  $V_{CC}$  is 3.3 V and that  $V_{CC}$  should never exceed 3.6 V.

**Temperature Measurement Method**

**Local Temperature Measurement**

The ADT7475 contains an on-chip band gap temperature sensor whose output is digitized by the on-chip, 10-bit ADC. The 8-bit MSB temperature data is stored in the temperature registers (0x25, 0x26, and 0x27). Because both positive and negative temperatures can be measured, the temperature data is stored in Offset 64 format or twos complement format, as shown in Table 11 and Table 12.

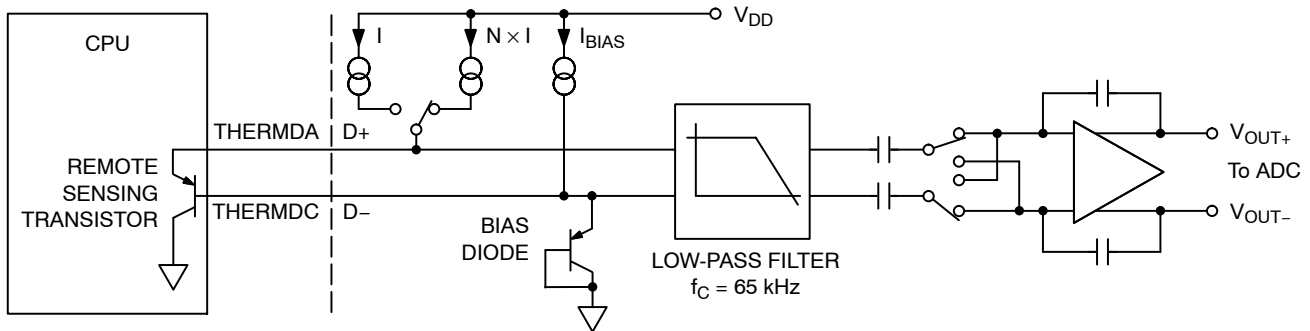
Theoretically, the temperature sensor and ADC can measure temperatures from  $-128^{\circ}\text{C}$  to  $+127^{\circ}\text{C}$  (or  $-64^{\circ}\text{C}$  to  $+191^{\circ}\text{C}$  in the extended temperature range) with a resolution of  $0.25^{\circ}\text{C}$ .

However, this exceeds the operating temperature range of the device, so local temperature measurements outside the ADT7475 operating temperature range are not possible.

**Remote Temperature Measurement**

The ADT7475 can measure the temperature of two remote diode sensors or diode-connected transistors connected to Pin 10 and Pin 11 or to Pin 12 and Pin 13.

The forward voltage of a diode or diode-connected transistor operated at a constant current exhibits a negative temperature coefficient of about  $-2\text{ mV}/^{\circ}\text{C}$ . Because the absolute value of  $V_{BE}$  varies from device to device and individual calibration is required to null this out, the technique is unsuitable for mass production.



**Figure 20. Signal Conditioning for Remote Diode Temperature Sensors**

The technique used in the ADT7475 is to measure the change in  $V_{BE}$  when the device is operated at two different currents.

This is given by:

$$\Delta V_{BE} = \frac{kT}{q} \times \ln(N) \quad (\text{eq. 1})$$

where:

- k is Boltzmann's constant.
- q is the charge on the carrier.
- T is the absolute temperature in Kelvins.
- N is the ratio of the two currents.

Figure 20 shows the input signal conditioning used to measure the output of a remote temperature sensor. This figure shows the external sensor as a substrate transistor, provided for temperature monitoring on some microprocessors. It could also be a discrete transistor such as a 2N3904/2N3906.

If a discrete transistor is used, the collector is not grounded and should be linked to the base. If a PNP transistor is used, the base is connected to the D- input and the emitter to the D+ input. If an NPN transistor is used, the emitter is connected to the D- input and the base to the D+ input. Figure 21 and Figure 22 show how to connect the ADT7475 to an NPN or PNP transistor for temperature measurement. To prevent ground noise from interfering with the measurement, the more negative terminal of the sensor is not referenced to ground but is biased above ground by an internal diode at the D input.

To measure  $\Delta V_{BE}$ , the sensor is switched between operating currents of I and  $N \times I$ . The resulting waveform is passed through a 65 kHz low-pass filter to remove noise and to a chopper stabilized amplifier that performs the functions of amplification and rectification of the waveform to produce a dc voltage proportional to  $\Delta V_{BE}$ . This voltage is measured by the ADC to give a temperature output in 10-bit, twos complement format. To further reduce the effects of noise, digital filtering is performed by averaging the results of 16 measurement cycles.

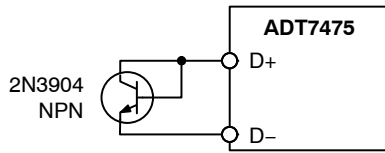
A remote temperature measurement takes nominally 38 ms. The results of remote temperature measurements are stored in 10-bit, twos complement format, as shown in Table 11. The extra resolution for the temperature measurements is held in the Extended Resolution Register 2 (0x77). This gives temperature readings with a resolution of  $0.25^{\circ}\text{C}$ .

**Noise Filtering**

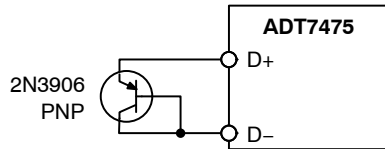
For temperature sensors operating in noisy environments, previous practice was to place a capacitor across the D+ pin and D- pin to help combat the effects of noise. However, large capacitance's affect the accuracy of the temperature measurement, leading to a recommended maximum capacitor value of 1,000 pF.

This capacitor reduces the noise but does not eliminate it. Sometimes, this sensor noise is a problem in a very noisy environment. In most cases, a capacitor is not required

because differential inputs, by their very nature, have a high immunity to noise.



**Figure 21. Measuring Temperature by Using an NPN Transistor**



**Figure 22. Measuring Temperature by Using a PNP Transistor**

**Factors Affecting Diode Accuracy**

**Remote Sensing Diode**

The ADT7475 is designed to work with either substrate transistors built into processors or with discrete transistors. Substrate transistors are generally PNP types with the collector connected to the substrate. Discrete types can be either PNP or NPN transistors connected as a diode (base-shortened to the collector). If an NPN transistor is used, the collector and base are connected to D+ and the emitter to D-. If a PNP transistor is used, the collector and base are connected to D- and the emitter is connected to D+.

To reduce the error due to variations in both substrate and discrete transistors, a number of factors should be taken into consideration:

- The ideality factor,  $n_f$ , of the transistor is a measure of the deviation of the thermal diode from ideal behavior. The ADT7475 is trimmed for an  $n_f$  value of 1.008. Use the following equation to calculate the error introduced at a temperature,  $T$  ( $^{\circ}\text{C}$ ), when using a transistor whose  $n_f$  does not equal 1.008. See the processor data sheet for the  $n_f$  values.

$$\Delta T = (n_f - 1.008) \times (273.15 \text{ k} + T) \quad (\text{eq. 2})$$

To factor this in, the user can write the  $\Delta T$  value to the offset register. The ADT7475 automatically adds it to or subtracts it from the temperature measurement.

- Some CPU manufacturers specify the high and low current levels of the substrate transistors. The high current level of the ADT7475,  $I_{\text{HIGH}}$ , is 180  $\mu\text{A}$  and the low level current,  $I_{\text{LOW}}$ , is 11  $\mu\text{A}$ . If the ADT7475 current levels do not match the current levels specified by the CPU manufacturer, it might be necessary to remove an offset. The CPU's data sheet advises whether this offset needs to be removed and how to calculate it. This offset can be programmed to the offset register. If more than one offset must be considered, the

algebraic sum of these offsets must be programmed to the offset register.

If a discrete transistor is used with the ADT7475, the best accuracy is obtained by choosing devices according to the following criteria:

- Base-emitter voltage greater than 0.25 V at 11  $\mu\text{A}$ , at the highest operating temperature.
- Base-emitter voltage less than 0.95 V at 180  $\mu\text{A}$ , at the lowest operating temperature.
- Base resistance less than 100  $\Omega$ .
- Small variation in  $h_{\text{FE}}$  (approximately 50 to 150) that indicates tight control of  $V_{\text{BE}}$  characteristics.

Transistors, such as 2N3904, 2N3906, or equivalents in SOT-23 packages, are suitable devices to use.

**Table 11. TWOS COMPLEMENT TEMPERATURE DATA FORMAT**

| Temperature              | Digital Output (10-bit) (Note 1)  |
|--------------------------|-----------------------------------|
| -128 $^{\circ}\text{C}$  | 1000 0000 <b>00</b> (Diode Fault) |
| -63 $^{\circ}\text{C}$   | 1100 0001 <b>00</b>               |
| -50 $^{\circ}\text{C}$   | 1100 1110 <b>00</b>               |
| -25 $^{\circ}\text{C}$   | 1110 0111 <b>00</b>               |
| -10 $^{\circ}\text{C}$   | 1111 0110 <b>00</b>               |
| 0 $^{\circ}\text{C}$     | 0000 0000 <b>00</b>               |
| 10.25 $^{\circ}\text{C}$ | 0000 1010 <b>01</b>               |
| 25.5 $^{\circ}\text{C}$  | 0001 1001 <b>10</b>               |
| 50.75 $^{\circ}\text{C}$ | 0011 0010 <b>11</b>               |
| 75 $^{\circ}\text{C}$    | 0100 1011 <b>00</b>               |
| 100 $^{\circ}\text{C}$   | 0110 0100 <b>00</b>               |
| 125 $^{\circ}\text{C}$   | 0111 1101 <b>00</b>               |
| 127 $^{\circ}\text{C}$   | 0111 1111 <b>00</b>               |

1. Bold numbers denote 2 LSBs of measurement in the Extended Resolution Register 2 (0x77) with 0.25 $^{\circ}\text{C}$  resolution.

**Table 12. EXTENDED RANGE, TEMPERATURE DATA FORMAT**

| Temperature            | Digital Output (10-bit) (Note 1)  |
|------------------------|-----------------------------------|
| -64 $^{\circ}\text{C}$ | 0000 0000 <b>00</b> (Diode Fault) |
| -63 $^{\circ}\text{C}$ | 0000 0001 <b>00</b>               |
| -1 $^{\circ}\text{C}$  | 0011 1111 <b>00</b>               |
| 0 $^{\circ}\text{C}$   | 0100 0000 <b>00</b>               |
| 1 $^{\circ}\text{C}$   | 0100 0001 <b>00</b>               |
| 10 $^{\circ}\text{C}$  | 0100 1010 <b>00</b>               |
| 25 $^{\circ}\text{C}$  | 0101 1001 <b>00</b>               |
| 50 $^{\circ}\text{C}$  | 0111 0010 <b>00</b>               |
| 75 $^{\circ}\text{C}$  | 1000 1001 <b>00</b>               |
| 100 $^{\circ}\text{C}$ | 1010 0100 <b>00</b>               |
| 125 $^{\circ}\text{C}$ | 1011 1101 <b>00</b>               |
| 191 $^{\circ}\text{C}$ | 1111 1111 <b>00</b>               |

1. Bold numbers denote 2 LSBs of measurement in the Extended Resolution Register 2 (0x77) with 0.25 $^{\circ}\text{C}$  resolution.

### Nulling Out Temperature Errors

As CPUs run faster, it is more difficult to avoid high frequency clocks when routing the D+/D– traces around a system board. Even when recommended layout guidelines are followed, some temperature errors can still be attributable to noise coupled onto the D+/D– lines. Constant high frequency noise usually attenuates, or increases, temperature measurements by a linear, constant value.

The ADT7475 has two temperature offset registers, Register 0x70 and Register 0x72, for the Remote 1 and Remote 2 temperature channels. By doing a one-time calibration of the system, the user can determine the offset caused by system board noise and null it out using the offset registers. The offset registers automatically add a twos complement 8-bit reading to every temperature measurement.

Changing Bit 1 of Configuration Register 5 (0x7C) changes the resolution and therefore the range of the temperature offset as either having a range of  $-63^{\circ}\text{C}$  to  $+127^{\circ}\text{C}$ , with a resolution of  $1^{\circ}\text{C}$ , or having a range of  $-63^{\circ}\text{C}$  to  $+64^{\circ}\text{C}$ , with a resolution of  $0.5^{\circ}\text{C}$ . This temperature offset can be used to compensate for linear temperature errors introduced by noise.

**Table 13. TEMPERATURE OFFSET REGISTERS**

| Register | Description                 | Default                      |
|----------|-----------------------------|------------------------------|
| 0x70     | Remote 1 Temperature Offset | 0x00 ( $0^{\circ}\text{C}$ ) |
| 0x71     | Local Temperature Offset    | 0x00 ( $0^{\circ}\text{C}$ ) |
| 0x72     | Remote 2 Temperature Offset | 0x00 ( $0^{\circ}\text{C}$ ) |

### ADT7463/ADT7475 Backwards Compatible Mode

By setting Bit 0 of Configuration Register 5 (0x7C), all temperature measurements are stored in the zone temperature value registers (0x25, 0x26, and 0x27) in twos complement in the range  $-128^{\circ}\text{C}$  to  $+127^{\circ}\text{C}$ . The temperature limits must be reprogrammed in twos complement.

If a twos complement temperature below  $-128^{\circ}\text{C}$  is entered, the temperature is clamped to  $-128^{\circ}\text{C}$ . In this mode, the diode fault condition remains  $-128^{\circ}\text{C} = 1000\ 0000$ , while in the extended temperature range ( $-64^{\circ}\text{C}$  to  $+191^{\circ}\text{C}$ ), the fault condition is represented by  $-64^{\circ}\text{C} = 0000\ 0000$ .

**Table 14. TEMPERATURE MEASUREMENT REGISTERS**

| Register | Description           | Default |
|----------|-----------------------|---------|
| 0x25     | Remote 1 Temperature  | –       |
| 0x26     | Local Temperature     | –       |
| 0x27     | Remote 2 Temperature  | –       |
| 0x77     | Extended Resolution 2 | 0x00    |

**Table 15. EXTENDED RESOLUTION TEMPERATURE MEASUREMENT REGISTER BITS**

| Bit   | Mnemonic | Description               |
|-------|----------|---------------------------|
| <7:6> | TDM2     | Remote 2 Temperature LSBs |
| <5:4> | LTMP     | Local Temperature LSBs    |
| <3:2> | TDM1     | Remote 1 Temperature LSBs |

### Temperature Measurement Limit Registers

Associated with each temperature measurement channel are high and low limit registers. Exceeding the programmed high or low limit causes the appropriate status bit to be set. Exceeding either limit can also generate SMBALERT interrupts (depending on the way the interrupt mask register is programmed and assuming that SMBALERT is set as an output on the appropriate pin).

**Table 16. TEMPERATURE MEASUREMENT LIMIT REGISTERS**

| Register | Description                     | Default |
|----------|---------------------------------|---------|
| 0x4E     | Remote 1 Temperature Low Limit  | 0x81    |
| 0x4F     | Remote 1 Temperature High Limit | 0x7F    |
| 0x50     | Local Temperature Low Limit     | 0x81    |
| 0x51     | Local Temperature High Limit    | 0x7F    |
| 0x52     | Remote 2 Temperature Low Limit  | 0x81    |
| 0x53     | Remote 2 Temperature High Limit | 0x7F    |

### Reading Temperature from the ADT7475

It is important to note that temperature can be read from the ADT7475 as an 8-bit value (with  $1^{\circ}\text{C}$  resolution) or as a 10-bit value (with  $0.25^{\circ}\text{C}$  resolution). If only  $1^{\circ}\text{C}$  resolution is required, the temperature readings can be read back at any time and in no particular order.

If the 10-bit measurement is required, this involves a two-register read for each measurement. The Extended Resolution Register 2 (0x77) should be read first. This causes all temperature reading registers to be frozen until all temperature reading registers have been read from. This prevents an MSB reading from being updated while its two LSBs are being read and vice versa.

### Additional ADC Functions for Temperature Measurement

A number of other functions are available on the ADT7475 to offer the system designer increased flexibility.

### Turn-off Averaging

For each temperature measurement read from a value register, 16 readings have actually been made internally, and the results averaged, before being placed into the value register. Sometimes it is necessary to take a very fast measurement. Setting Bit 4 of Configuration Register 2 (0x73) turns averaging off. The default round-robin cycle time takes 146.5 ms.

**Table 17. CONVERSION TIME WITH AVERAGING DISABLED**

| Channel              | Measurement Time (ms) |
|----------------------|-----------------------|
| Voltage Channels     | 0.7                   |
| Remote Temperature 1 | 7                     |
| Remote Temperature 2 | 7                     |
| Local Temperature    | 1.3                   |

When Bit 7 of Configuration Register 6 (0x10) is set, the default round-robin cycle time increases to 240 ms.

**Table 18. CONVERSION TIME WITH AVERAGING ENABLED**

| Channel              | Measurement Time (ms) |
|----------------------|-----------------------|
| Voltage Channels     | 11                    |
| Remote Temperature 1 | 39                    |
| Remote Temperature 2 | 39                    |
| Local Temperature    | 12                    |

**Single-channel ADC Conversions**

Setting Bit 6 of Configuration Register 2 (0x73) places the ADT7475 into single-channel ADC conversion mode. In this mode, the ADT7475 can be made to read a single temperature channel only. The appropriate ADC channel is selected by writing to Bits <7:5> of the TACH1 minimum high byte register (0x55).

**Table 19. PROGRAMMING SINGLE-CHANNEL ADC MODE FOR TEMPERATURES**

| Register 0x55, Bits <7:5> | Channel Selected     |
|---------------------------|----------------------|
| 101                       | Remote 1 Temperature |
| 110                       | Local Temperature    |
| 111                       | Remote 2 Temperature |

**Configuration Register 2 (0x73)**

Bit <4> = 1, Averaging off

Bit <6> = 1, Single-channel Convert Mode

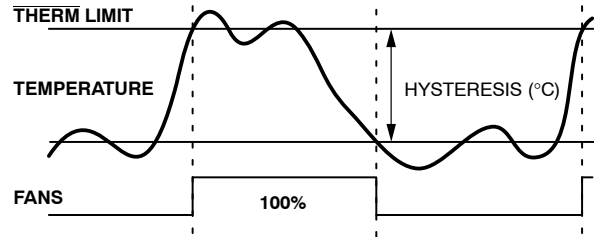
**TACH1 Minimum High Byte Register (0x55)**

Bits <7:5> select the ADC channel for single-channel convert mode.

**Overtemperature Events**

Overtemperature events on any of the temperature channels can be detected and dealt with automatically in automatic fan speed control mode. Register 0x6A to Register 0x6C are the THERM temperature limit registers. When a temperature exceeds its THERM temperature limit, all PWM outputs run at the maximum PWM duty cycle (Register 0x38, Register 0x39, and Register 0x3A). This effectively runs the fans at the fastest allowed speed.

The fans run at this speed until the temperature drops below THERM minus hysteresis. This can be disabled by setting the boost bit in Configuration Register 3 (0x78), Bit 2. The hysteresis value for the THERM temperature limit is the value programmed into Register 0x6D and Register 0x6E (hysteresis registers). The default hysteresis value is 4°C.



**Figure 23. THERM Temperature Limit Operation**

THERM can be disabled on specific temperature channels using Bits <7:5> of Configuration Register 5 (0x7C). THERM can also be disabled by:

- In Offset 64 mode, writing -64°C to the appropriate THERM Temperature Limit.
- In twos complement mode, writing -128°C to the appropriate THERM Temperature Limit.

**Limits, Status Registers, and Interrupts**

**Limit Values**

Associated with each measurement channel on the ADT7475 are high and low limits. These can form the basis of system status monitoring; a status bit can be set for any out-of-limit condition and detected by polling the device. Alternatively, SMBALERT interrupts can be generated to flag out-of-limit conditions to a processor or microcontroller.

**8-bit Limits**

The following is a list of 8-bit limits on the ADT7475.

**Table 20. VOLTAGE LIMIT REGISTERS**

| Register | Description                 | Default |
|----------|-----------------------------|---------|
| 0x46     | V <sub>CCP</sub> Low Limit  | 0x00    |
| 0x47     | V <sub>CCP</sub> High Limit | 0xFF    |
| 0x48     | V <sub>CC</sub> Low Limit   | 0x00    |
| 0x49     | V <sub>CC</sub> High Limit  | 0xFF    |

**Table 21. TEMPERATURE LIMIT REGISTERS**

| Register | Description                     | Default |
|----------|---------------------------------|---------|
| 0x4E     | Remote 1 Temperature Low Limit  | 0x81    |
| 0x4F     | Remote 1 Temperature High Limit | 0x7F    |
| 0x6A     | Remote 1 THERM Temp. Limit      | 0x64    |
| 0x50     | Local Temperature Low Limit     | 0x81    |
| 0x51     | Local Temperature High Limit    | 0x7F    |
| 0x6B     | Local THERM Temperature Limit   | 0x64    |
| 0x52     | Remote 2 Temperature Low Limit  | 0x81    |
| 0x53     | Remote 2 Temperature High Limit | 0x7F    |
| 0x6C     | Remote 2 THERM Temp. Limit      | 0x64    |

**Table 22. THERM LIMIT REGISTERS**

| Register | Description       | Default |
|----------|-------------------|---------|
| 0x7A     | THERM Timer Limit | 0x00    |



### 16-bit Limits

The fan TACH measurements are 16-bit results. The fan TACH limits are also 16 bits, consisting of a high byte and low byte. Because fans running under speed or stalled are normally the only conditions of interest, only high limits exist for fan TACHs. Because the fan TACH period is actually being measured, exceeding the limit indicates a slow or stalled fan.

**Table 23. FAN LIMIT REGISTERS**

| Register | Description             | Default |
|----------|-------------------------|---------|
| 0x54     | TACH1 Minimum Low Byte  | 0xFF    |
| 0x55     | TACH1 Minimum High Byte | 0xFF    |
| 0x56     | TACH2 Minimum Low Byte  | 0xFF    |
| 0x57     | TACH2 Minimum High Byte | 0xFF    |
| 0x58     | TACH3 Minimum Low Byte  | 0xFF    |
| 0x59     | TACH3 Minimum High Byte | 0xFF    |
| 0x5A     | TACH4 Minimum Low Byte  | 0xFF    |
| 0x5B     | TACH4 Minimum High Byte | 0xFF    |

### Out-of-Limit Comparisons

Once all limits have been programmed, the ADT7475 can be enabled for monitoring. The ADT7475 measures all voltage and temperature measurements in round-robin format and sets the appropriate status bit for out-of-limit conditions. TACH measurements are not part of this round-robin cycle. Comparisons are done differently, depending on whether the measured value is being compared to a high or low limit.

High Limit > Comparison Performed

Low Limit ≤ Comparison Performed

Voltage and temperature channels use a window comparator for error detecting and, therefore, have high and low limits. Fan speed measurements use only a low limit. This fan limit is needed only in manual fan control mode.

### Analog Monitoring Cycle Time

The analog monitoring cycle begins when a 1 is written to the start bit (Bit 0) of Configuration Register 1 (0x40). By default, the ADT7475 powers up with this bit set. The ADC measures each analog input in turn and, as each measurement is completed, the result is automatically stored in the appropriate value register. This round-robin monitoring cycle continues unless disabled by writing a 0 to Bit 0 of Configuration Register 1.

As the ADC is normally left to free-run in this manner, the time taken to monitor all the analog inputs is normally not

of interest, because the most recently measured value of any input can be read out at any time.

For applications where the monitoring cycle time is important, it can easily be calculated. The total number of channels measured is

- One Dedicated Supply Voltage Input (V<sub>CCP</sub> Pin)
- Supply Voltage (V<sub>CC</sub> Pin)
- Local Temperature
- Two Remote Temperatures

As mentioned previously, the ADC performs round-robin conversions. The total monitoring cycle time for averaged voltage and temperature monitoring is 146 ms. The total monitoring cycle time for voltage and temperature monitoring with averaging disabled is 19 ms. The ADT7475 is a derivative of the ADT7467. As a result, the total conversion time in the ADT7475 is the same as the total conversion time of the ADT7467.

Fan TACH measurements are made in parallel and are not synchronized with the analog measurements in any way.

### Interrupt Status Registers

The results of limit comparisons are stored in Interrupt Status Register 1 and Interrupt Status Register 2. The status register bit for each channel reflects the status of the last measurement and limit comparison on that channel. If a measurement is within limits, the corresponding status register bit is cleared to 0. If the measurement is out-of-limits, the corresponding status register bit is set to 1.

The state of the various measurement channels can be polled by reading the status registers over the serial bus. In Bit 7 (OOL) of Interrupt Status Register 1 (0x41), 1 means that an out-of-limit event has been flagged in Interrupt Status Register 2. This means that the user needs only to read Interrupt Status Register 2 when this bit is set. Alternatively, Pin 5 or Pin 9 can be configured as an SMBALERT output. This automatically notifies the system supervisor of an out-of-limit condition. Reading the status registers clears the appropriate status bit as long as the error condition that caused the interrupt has cleared.

Status register bits are sticky. Whenever a status bit is set, indicating an out-of-limit condition, it remains set even if the event that caused it has gone away (until read). The only way to clear the status bit is to read the status register after the event has gone away. Interrupt status mask registers (0x74 and 0x75) allow individual interrupt sources to be masked from causing an SMBALERT. However, if one of these masked interrupt sources goes out-of-limit, its associated status bit is set in the interrupt status registers.

**Table 24. INTERRUPT STATUS REGISTER 1 (REG. 0X41)**

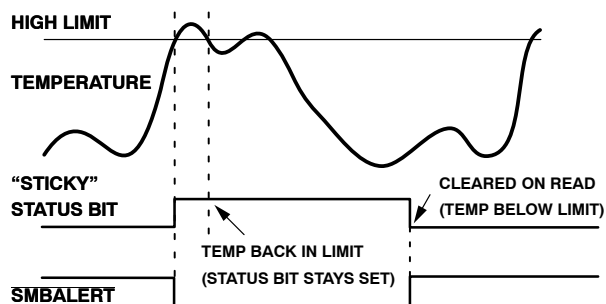
| Bit | Mnemonic         | Description   |
|-----|------------------|---|
| 7   | OOL              | 1 denotes that a bit in Status Register 2 is set and that Interrupt Status Register 2 should be read. |
| 6   | R2T              | 1 indicates that the Remote 2 Temperature High or Low Limit has been exceeded.                        |
| 5   | LT               | 1 indicates that the Local Temperature High or Low Limit has been exceeded.                           |
| 4   | R1T              | 1 indicates that the Remote 1 Temperature High or Low Limit has been exceeded.                        |
| 2   | V <sub>CC</sub>  | 1 indicates that the V <sub>CC</sub> High or Low Limit has been exceeded.                             |
| 1   | V <sub>CCP</sub> | 1 indicates that the V <sub>CCP</sub> High or Low Limit has been exceeded.                            |

**Table 25. INTERRUPT STATUS REGISTER 2 (REG. 0X42)**

| Bit | Mnemonic | Description   |
|-----|----------|---|
| 7   | D2       | 1 indicates an open or short on D2+/D2- inputs.   |
| 6   | D1       | 1 indicates an open or short on D1+/D1- inputs.   |
| 5   | F4P      | 1 indicates that Fan 4 has dropped below minimum speed. Alternatively, indicates that THERM timer limit has been exceeded, if the THERM function is used. |
| 4   | FAN3     | 1 indicates that Fan 3 has dropped below minimum speed.   |
| 3   | FAN2     | 1 indicates that Fan 2 has dropped below minimum speed.   |
| 2   | FAN1     | 1 indicates that Fan 1 has dropped below minimum speed.   |
| 1   | OVT      | 1 indicates that a THERM overtemperature limit has been exceeded.   |

**SMBALERT Interrupt Behavior**

The ADT7475 can be polled for status, or an SMBALERT interrupt can be generated for out-of-limit conditions. Note how the SMBALERT output and status bits behave when writing interrupt handler software.



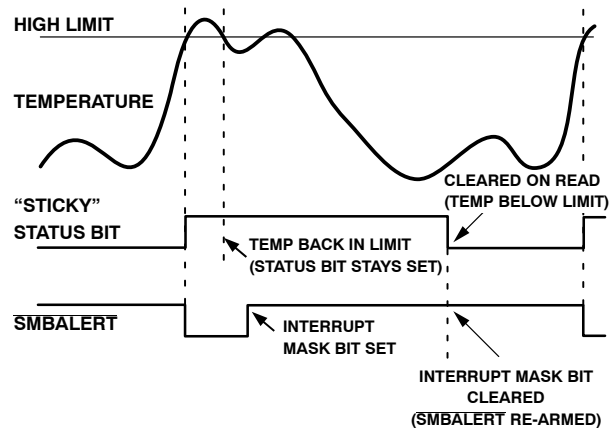
**Figure 24. SMBALERT and Status Bit Behavior**

Figure 24 shows how the SMBALERT output and sticky status bits behave. Once a limit is exceeded, the corresponding status bit is set to 1. The status bit remains set until the error condition subsides and the status register is read. The status bits are referred to as sticky because they remain set until read by software. This ensures that an out-of-limit event cannot be missed if software is polling the device periodically. Note that the SMBALERT output remains low for the entire duration that a reading is out-of-limit and until the interrupt status register has been read. This has implications for how software handles the interrupt.

**Handling SMBALERT Interrupts**

To prevent the system from being tied up servicing interrupts, it is recommended to handle the SMBALERT interrupt as follows:

1. Detect the SMBALERT assertion.
2. Enter the interrupt handler.
3. Read the status registers to identify the interrupt source.
4. Mask the interrupt source by setting the appropriate mask bit in the interrupt mask registers (0x74 and 0x75).
5. Take the appropriate action for a given interrupt source.
6. Exit the interrupt handler.
7. Periodically poll the status registers. If the interrupt status bit has cleared, reset the corresponding interrupt mask bit to 0. This causes the SMBALERT output and status bits to behave as shown in Figure 25.



**Figure 25. How Masking the Interrupt Source Affects SMBALERT Output**

**Masking Interrupt Sources**

Interrupt Mask Register 1 (0x74) and Interrupt Mask Register 2 (0x75) allow individual interrupt sources to be masked out to prevent SMBALERT interrupts. Note that masking an interrupt source prevents only the SMBALERT output from being asserted; the appropriate status bit is set normally.

**Table 26. INTERRUPT MASK REGISTER 1 (REG. 0X74)**

| Bit | Mnemonic         | Description  |
|-----|------------------|--|
| 7   | OOL              | 1 masks $\overline{\text{SMBALERT}}$ for any alert condition flagged in Interrupt Status Register 2. |
| 6   | R2T              | 1 masks $\overline{\text{SMBALERT}}$ for Remote 2 temperature.                                       |
| 5   | LT               | 1 masks $\overline{\text{SMBALERT}}$ for Local temperature.  |
| 4   | R1T              | 1 masks $\overline{\text{SMBALERT}}$ for Remote 1 temperature.                                       |
| 2   | V <sub>CC</sub>  | 1 masks $\overline{\text{SMBALERT}}$ for the V <sub>CC</sub> channel.                                |
| 0   | V <sub>CCP</sub> | 1 masks $\overline{\text{SMBALERT}}$ for the V <sub>CCP</sub> channel.                               |

**Table 27. INTERRUPT MASK REGISTER 2 (REG. 0X75)**

| Bit | Mnemonic | Description   |
|-----|----------|---|
| 7   | D2       | 1 masks $\overline{\text{SMBALERT}}$ for Diode 2 errors.  |
| 6   | D1       | 1 masks $\overline{\text{SMBALERT}}$ for Diode 1 errors.  |
| 5   | FAN4     | 1 masks $\overline{\text{SMBALERT}}$ for Fan 4 failure. If the TACH4 pin is being used as the THERM input, this bit masks $\overline{\text{SMBALERT}}$ for a THERM event. |
| 4   | FAN3     | 1 masks $\overline{\text{SMBALERT}}$ for Fan 3.   |
| 3   | FAN2     | 1 masks $\overline{\text{SMBALERT}}$ for Fan 2.   |
| 2   | FAN1     | 1 masks $\overline{\text{SMBALERT}}$ for Fan 1.   |
| 1   | OVT      | 1 masks $\overline{\text{SMBALERT}}$ for overtemperature (exceeding $\overline{\text{THERM}}$ limits).  |

**Enabling the  $\overline{\text{SMBALERT}}$  Interrupt Output**

The  $\overline{\text{SMBALERT}}$  interrupt function is disabled by default. Pin 5 or Pin 9 can be reconfigured as an  $\overline{\text{SMBALERT}}$  output to signal out-of-limit conditions.

**Table 28. CONFIGURING PIN 5 AS  $\overline{\text{SMBALERT}}$  OUTPUT**

| Register                             | Bit Setting          |
|--------------------------------------|----------------------|
| Configuration Register 3 (Reg. 0x78) | <0> ALERT Enable = 1 |

**Assigning THERM Functionality to a Pin**

Pin 9 on the ADT7475 has four possible functions:  $\overline{\text{SMBALERT}}$ ,  $\overline{\text{THERM}}$ , GPIO, and TACH4. The user chooses the required functionality by setting Bit 0 and Bit 1 of Configuration Register 4 (0x7D).

**Table 29. PIN 9 CONFIGURATION**

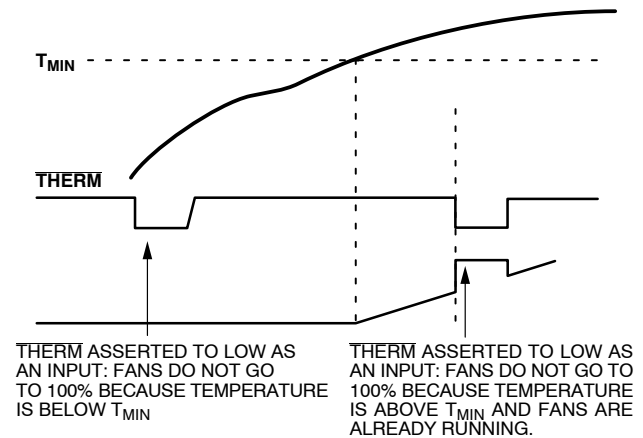
| Bit 1 | Bit 0 | Function                     |
|-------|-------|------------------------------|
| 0     | 0     | TACH4                        |
| 0     | 1     | THERM                        |
| 1     | 0     | $\overline{\text{SMBALERT}}$ |
| 1     | 1     | GPIO                         |

Once Pin 9 is configured as  $\overline{\text{THERM}}$ , it must be enabled (Bit 1, Configuration Register 3 (0x78)).

**THERM as an Input**

When  $\overline{\text{THERM}}$  is configured as an input, the user can time assertions on the  $\overline{\text{THERM}}$  pin. This can be useful for connecting to the  $\overline{\text{PROCHOT}}$  output of a CPU to gauge system performance.

The user can also set up the ADT7475 so that, when the  $\overline{\text{THERM}}$  pin is driven low externally, the fans run at 100%. The fans run at 100% for the duration of the time that the  $\overline{\text{THERM}}$  pin is pulled low. This is done by setting the BOOST bit (Bit 2) in Configuration Register 3 (0x78) to 1. This works only if the fan is already running, for example, in manual mode when the current duty cycle is above 0x00 or in automatic mode when the temperature is above T<sub>MIN</sub>. If the temperature is below T<sub>MIN</sub> or if the duty cycle in manual mode is set to 0x00, pulling the  $\overline{\text{THERM}}$  low externally has no effect. See Figure 26 for more information.



**Figure 26. Asserting  $\overline{\text{THERM}}$  Low as an Input in Automatic Fan Speed Control Mode**

**THERM Timer**

The ADT7475 has an internal timer to measure  $\overline{\text{THERM}}$  assertion time. For example, the  $\overline{\text{THERM}}$  input can be connected to the  $\overline{\text{PROCHOT}}$  output of a Pentium® 4 CPU to measure system performance. The  $\overline{\text{THERM}}$  input can also be connected to the output of a trip point temperature sensor.

The timer is started on the assertion of the ADT7475's  $\overline{\text{THERM}}$  input and stopped when  $\overline{\text{THERM}}$  is un-asserted. The timer counts  $\overline{\text{THERM}}$  times cumulatively, that is, the timer resumes counting on the next  $\overline{\text{THERM}}$  assertion. The  $\overline{\text{THERM}}$  timer continues to accumulate  $\overline{\text{THERM}}$  assertion times until the timer is read (it is cleared on read) or until it reaches full scale. If the counter reaches full scale, it stops at that reading until cleared.

The 8-bit  $\overline{\text{THERM}}$  timer status register (0x79) is designed so that the Bit 0 is set to 1 on the first  $\overline{\text{THERM}}$  assertion. Once the cumulative  $\overline{\text{THERM}}$  assertion time has exceeded 45.52 ms, Bit 1 of the  $\overline{\text{THERM}}$  timer is set and Bit 0 becomes the LSB of the timer with a resolution of 22.76 ms, see Figure 27.

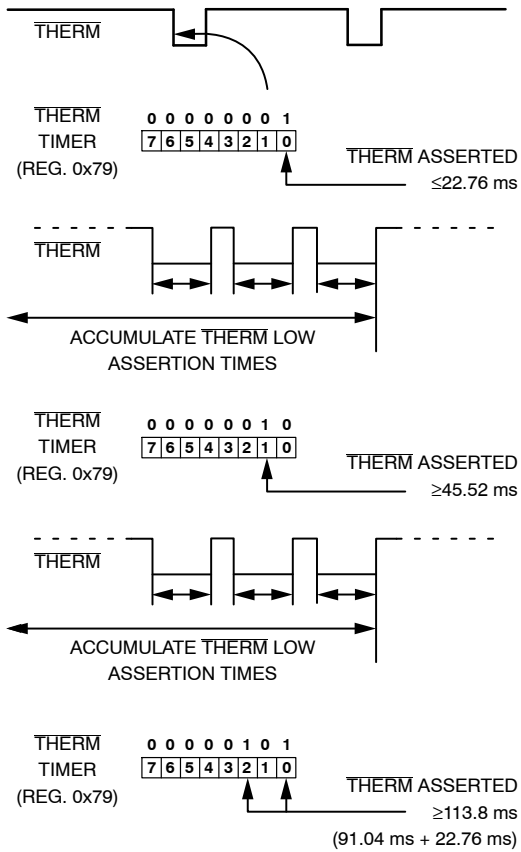


Figure 27. Understanding the  $\overline{\text{THERM}}$  Timer

When using the  $\overline{\text{THERM}}$  timer, be aware of the following. After a  $\overline{\text{THERM}}$  timer read (Register 0x79), the following happens:

1. The contents of the timer are cleared on read.
2. The F4P bit (Bit 5) of Interrupt Status Register 2 needs to be cleared (assuming that the  $\overline{\text{THERM}}$  timer limit has been exceeded).

If the  $\overline{\text{THERM}}$  timer is read during a  $\overline{\text{THERM}}$  assertion, the following happens:

1. The contents of the timer are cleared.
2. Bit 0 of the  $\overline{\text{THERM}}$  timer is set to 1 (because a  $\overline{\text{THERM}}$  assertion is occurring).
3. The  $\overline{\text{THERM}}$  timer increments from zero.
4. If the  $\overline{\text{THERM}}$  timer limit (Register 0x7A) = 0x00, the F4P bit is set.

**Generating SMBALERT Interrupts from A  $\overline{\text{THERM}}$  Timer Events**

The ADT7475 can generate  $\overline{\text{SMBALERT}}$ s when a programmable  $\overline{\text{THERM}}$  timer limit has been exceeded. This allows the system designer to ignore brief, infrequent  $\overline{\text{THERM}}$  assertions, while capturing longer  $\overline{\text{THERM}}$  timer events. Register 0x7A is the  $\overline{\text{THERM}}$  timer limit register. This 8-bit register allows a limit from 0 seconds (first  $\overline{\text{THERM}}$  assertion) to 5.825 seconds to be set before an  $\overline{\text{SMBALERT}}$  is generated. The  $\overline{\text{THERM}}$  timer value is compared with the contents of the  $\overline{\text{THERM}}$  timer limit register.

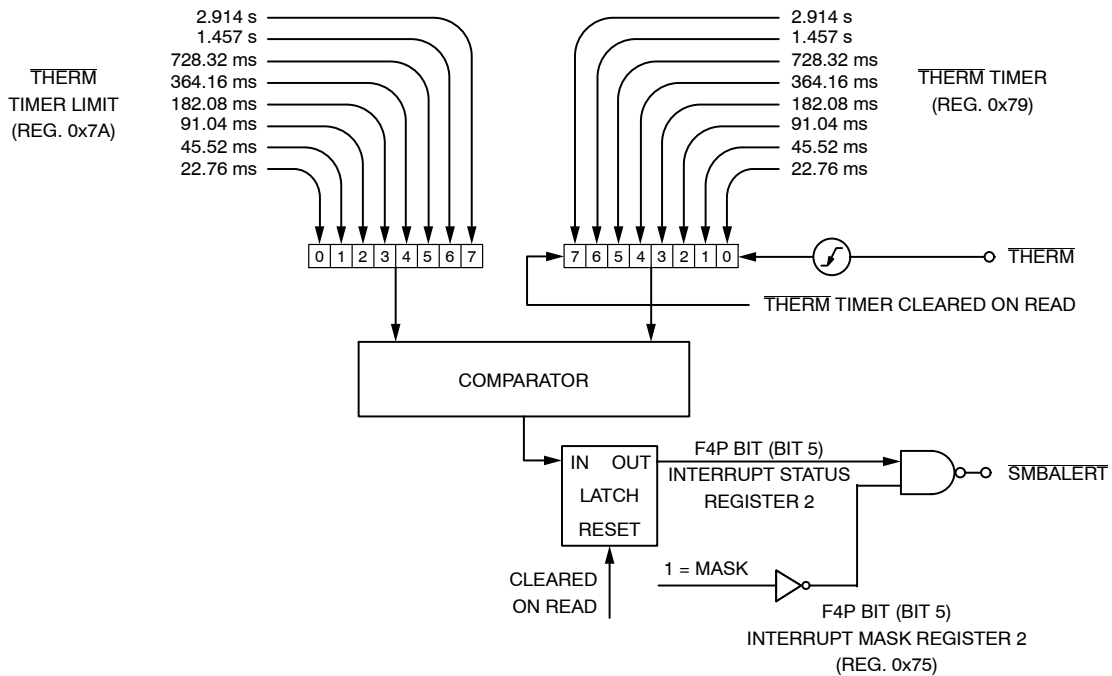


Figure 28. Functional Diagram of the ADT7475  $\overline{\text{THERM}}$  Monitoring Circuitry

If the  $\overline{\text{THERM}}$  timer value exceeds the  $\overline{\text{THERM}}$  timer limit value, then the F4P bit (Bit 5) of Interrupt Status Register 2 is set, and an  $\overline{\text{SMBALERT}}$  is generated. Note that the F4P bit (Bit 5) of Interrupt Mask Register 2 (0x75) masks out  $\overline{\text{SMBALERT}}$ s if this bit is set to 1, although the F4P bit of Interrupt Status Register 2 is still set if the  $\overline{\text{THERM}}$  timer limit is exceeded.

Figure 28 is a functional block diagram of the  $\overline{\text{THERM}}$  timer, limit, and associated circuitry. Writing a value of 0x00 to the  $\overline{\text{THERM}}$  timer limit register (0x7A) causes  $\overline{\text{SMBALERT}}$  to be generated on the first  $\overline{\text{THERM}}$  assertion. A  $\overline{\text{THERM}}$  timer limit value of 0x01 generates an  $\overline{\text{SMBALERT}}$  once cumulative  $\overline{\text{THERM}}$  assertions exceed 45.52 ms.

### Configuring the $\overline{\text{THERM}}$ Behavior

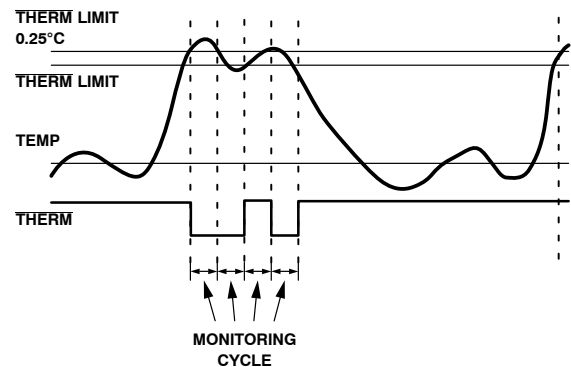
1. Configure the relevant pin as the  $\overline{\text{THERM}}$  timer input. Setting Bit 1 ( $\overline{\text{THERM}}$ ) of Configuration Register 3 (0x78) enables the  $\overline{\text{THERM}}$  timer monitoring functionality. This is disabled on Pin 9 by default. Setting Bit 0 and Bit 1 (PIN9FUNC) of Configuration Register 4 (0x7D) enables  $\overline{\text{THERM}}$  timer/output functionality on Pin 9 (Bit 1,  $\overline{\text{THERM}}$ , of Configuration Register 3, must also be set). Pin 9 can also be used as TACH4.
2. Select the desired fan behavior for  $\overline{\text{THERM}}$  timer events. Assuming that the fans are running, setting Bit 2 (BOOST bit) of Configuration Register 3 (0x78) causes all fans to run at 100% duty cycle whenever  $\overline{\text{THERM}}$  is asserted. This allows fail-safe system cooling. If this bit is 0, the fans run at their current settings and are not affected by  $\overline{\text{THERM}}$  events. If the fans are not already running when  $\overline{\text{THERM}}$  is asserted, the fans do not run to full speed.
3. Select whether  $\overline{\text{THERM}}$  timer events should generate  $\overline{\text{SMBALERT}}$  interrupts. Bit 5 (F4P) of Interrupt Mask Register 2 (0x75), when set, masks out  $\overline{\text{SMBALERT}}$ s when the  $\overline{\text{THERM}}$  timer limit value is exceeded. This bit should be cleared if  $\overline{\text{SMBALERT}}$ s based on  $\overline{\text{THERM}}$  events are required.
4. Select a suitable  $\overline{\text{THERM}}$  limit value. This value determines whether an  $\overline{\text{SMBALERT}}$  is generated on the first  $\overline{\text{THERM}}$  assertion or only if a cumulative  $\overline{\text{THERM}}$  assertion time limit is exceeded. A value of 0x00 causes an  $\overline{\text{SMBALERT}}$  to be generated on the first  $\overline{\text{THERM}}$  assertion.
5. Select a  $\overline{\text{THERM}}$  monitoring time. This value specifies how often OS- or BIOS-level software checks the  $\overline{\text{THERM}}$  timer. For example, BIOS could read the  $\overline{\text{THERM}}$  timer once an hour to determine the cumulative  $\overline{\text{THERM}}$  assertion time. If, for example, the total  $\overline{\text{THERM}}$  assertion time is <22.76 ms in Hour 1, >182.08 ms in Hour 2, and >2.914 s in Hour 3, this can indicate that system performance is degrading significantly because  $\overline{\text{THERM}}$  is asserting more frequently on an hourly basis.

Alternatively, OS- or BIOS-level software can time-stamp when the system is powered on. If an  $\overline{\text{SMBALERT}}$  is generated due to the  $\overline{\text{THERM}}$  timer limit being exceeded, another time-stamp can be taken. The difference in time can be calculated for a fixed  $\overline{\text{THERM}}$  timer limit time. For example, if it takes one week for a  $\overline{\text{THERM}}$  timer limit of 2.914 seconds to be exceeded and the next time it takes only one hour, this is an indication of a serious degradation in system performance.

### Configuring the $\overline{\text{THERM}}$ Pin as an Output

In addition to monitoring  $\overline{\text{THERM}}$  as an input, the ADT7475 can optionally drive  $\overline{\text{THERM}}$  low as an output. In cases where  $\overline{\text{PROCHOT}}$  is bidirectional,  $\overline{\text{THERM}}$  can be used to throttle the processor by asserting  $\overline{\text{PROCHOT}}$ . The user can pre-program system-critical thermal limits. If the temperature exceeds a thermal limit by 0.25°C,  $\overline{\text{THERM}}$  asserts low. If the temperature is still above the thermal limit on the next monitoring cycle,  $\overline{\text{THERM}}$  stays low.  $\overline{\text{THERM}}$  remains asserted low until the temperature is equal to or below the thermal limit. Because the temperature for that channel is measured only once for every monitoring cycle, after  $\overline{\text{THERM}}$  asserts, it is guaranteed to remain low for at least one monitoring cycle.

The  $\overline{\text{THERM}}$  pin can be configured to assert low if the Remote 1, local, or Remote 2  $\overline{\text{THERM}}$  temperature limit is exceeded by 0.25°C. The  $\overline{\text{THERM}}$  temperature limit registers are at Register 0x6A, Register 0x6B, and Register 0x6C. Setting Bit 3 of Register 0x5F, Register 0x60, and Register 0x61 enables the  $\overline{\text{THERM}}$  output feature for the Remote 1, local, and Remote 2 temperature channels, respectively. Figure 29 shows how the  $\overline{\text{THERM}}$  pin asserts low as an output in the event of a critical over temperature.



**Figure 29. Asserting  $\overline{\text{THERM}}$  as an Output, Based on Tripping  $\overline{\text{THERM}}$  Limits**

An alternative method of disabling  $\overline{\text{THERM}}$  is to program the  $\overline{\text{THERM}}$  temperature limit to 64°C or less in Offset 64 mode, or 128°C or less in twos complement mode; that is, for  $\overline{\text{THERM}}$  temperature limit values less than 64°C or 128°C, respectively,  $\overline{\text{THERM}}$  is disabled.

**Enabling and Disabling THERM on Individual Channels**

THERM can be enabled/disabled for individual or combinations of temperature channels using Bits <7:5> of Configuration Register 5 (0x7C).

**THERM Hysteresis**

Setting Bit 0 of Configuration Register 7 (0x11) disables THERM hysteresis.

If THERM hysteresis is enabled and THERM is disabled (Bit 2 of Configuration Register 4, 0x7D), the THERM pin does not assert low when a THERM event occurs. If THERM hysteresis is disabled and THERM is disabled (Bit 2 of Configuration Register 4, 0x7D, and assuming the appropriate pin is configured as THERM), the THERM pin asserts low when a THERM event occurs.

If THERM and THERM hysteresis are both enabled, the THERM output asserts as expected.

**THERM Operation in Manual Mode**

In manual mode, THERM events do not cause fans to go to full speed, unless Bit 3 of Configuration Register 6 (0x10) is set to 1.

Additionally, Bit 3 of Configuration Register 4 (0x7D) can be used to select PWM speed on THERM event (100% or maximum PWM).

Bit 2 in Configuration Register 4 (0x7D) can be set to disable THERM events from affecting the fans.

**Fan Drive Using PWM Control**

The ADT7475 uses pulse-width modulation (PWM) to control fan speed. This relies on varying the duty cycle (or on/off ratio) of a square wave applied to the fan to vary the fan speed. The external circuitry required to drive a fan using PWM control is extremely simple. For 4-wire fans, the PWM drive may need only a pullup resistor. In many cases, the 4-wire fan PWM input has a built-in pullup resistor.

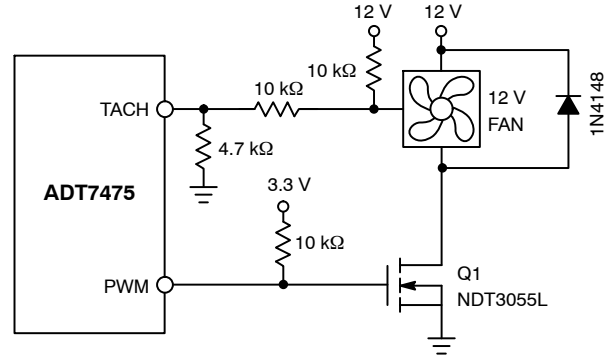
The ADT7475 PWM frequency can be set to a selection of low frequencies or a single high PWM frequency. The low frequency options are usually used for 3-wire fans, while the high frequency option is usually used with 4-wire fans.

For 3-wire fans, a single N-channel MOSFET is the only drive device required. The specifications of the MOSFET depend on the maximum current required by the fan being driven. Typical notebook fans draw a nominal 170 mA, so SOT devices can be used where board space is a concern. In desktops, fans can typically draw 250 mA to 300 mA each. If several fans are driven in parallel from a single PWM output or drive larger server fans, the MOSFET must handle the higher current requirements.

The only other stipulation is that the MOSFET should have a gate voltage drive,  $V_{GS} < 3.3\text{ V}$ , for direct interfacing to the PWM output pin. The MOSFET should also have a low on resistance to ensure that there is not significant voltage drop across the FET, which would reduce the

voltage applied across the fan and, therefore, the maximum operating speed of the fan.

Figure 30 shows how to drive a 3-wire fan using PWM control.

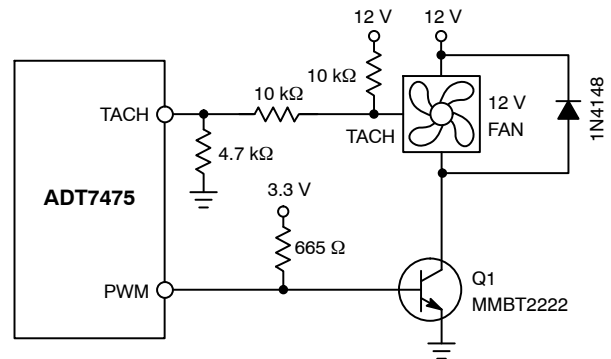


**Figure 30. Driving a 3-wire Fan Using an N-channel MOSFET**

Figure 30 uses a 10 kΩ pullup resistor for the TACH signal. This assumes that the TACH signal is an open-collector from the fan. In all cases, the TACH signal from the fan must be kept below 3.6 V maximum to prevent damaging the ADT7475. If in doubt as to whether the fan used has an open-collector or totem pole TACH output, use one of the input signal conditioning circuits shown in the Fan Speed Measurement section.

Figure 31 shows a fan drive circuit using an NPN transistor such as a general-purpose MMBT2222. While these devices are inexpensive, they tend to have much lower current handling capabilities and higher on resistance than MOSFETs. When choosing a transistor, care should be taken to ensure that it meets the fan's current requirements.

Ensure that the base resistor is chosen so that the transistor is saturated when the fan is powered on.



**Figure 31. Driving a 3-wire Fan Using an NPN Transistor**

Because 4-wire fans are powered continuously, the fan speed is not switched on or off as with previous PWM driven/powering fans. This enables it to perform better than 3-wire fans, especially for high frequency applications. Figure 32 shows a typical drive circuit for 4-wire fans.

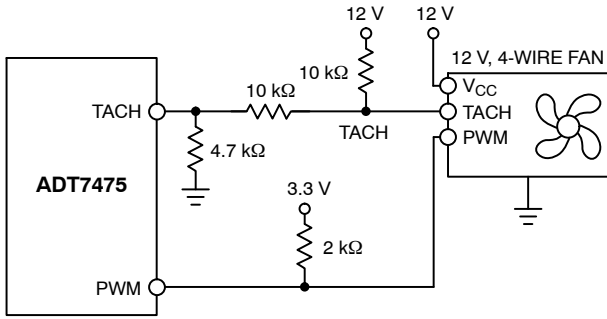


Figure 32. Driving a 4-wire Fan

**Driving Two Fans from PWM3**

The ADT7475 has four TACH inputs available for fan speed measurement but only three PWM drive outputs. If a fourth fan is used in the system, it should be driven from the PWM3 output in parallel with the third fan. Figure 33 shows how to drive two fans in parallel using low cost NPN transistors. Figure 34 shows the equivalent circuit using a MOSFET.

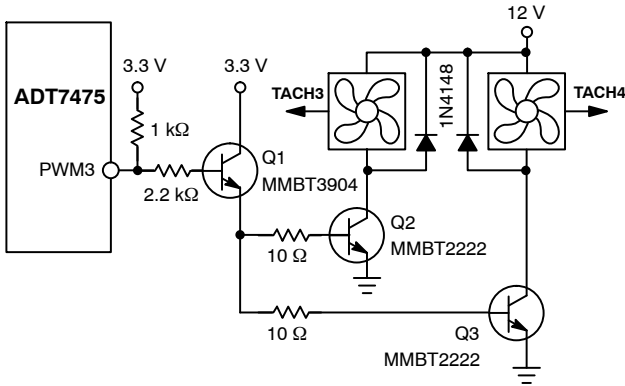


Figure 33. Interfacing Two Fans in Parallel to the PWM3 Output Using Low Cost NPN Transistors

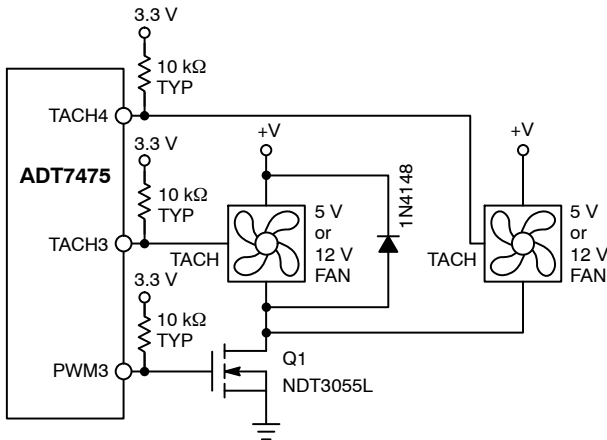


Figure 34. Interfacing Two Fans in Parallel to the PWM3 Output Using a Single N-channel MOSFET

Because the MOSFET can handle up to 3.5 A, it is simply a matter of connecting another fan directly in parallel with the first. Care should be taken in designing drive circuits with transistors and FETs to ensure that the PWM pins are not required to source current and that they sink less than the 8 mA maximum current specified on the data sheet.

**Driving up to Three Fans from PWM3**

TACH measurements for fans are synchronized to particular PWM channels; for example, TACH1 is synchronized to PWM1. TACH3 and TACH4 are both synchronized to PWM3, so PWM3 can drive two fans. Alternatively, PWM3 can be programmed to synchronize TACH2, TACH3, and TACH4 to the PWM3 output. This allows PWM3 to drive two or three fans. In this case, the drive circuitry looks the same, as shown in Figure 36 and Figure 37. The SYNC bit in Register 0x62 enables this function.

Synchronization is not required in high frequency mode when used with 4-wire fans.

Table 30. SYNC: ENHANCE ACOUSTICS REGISTER 1 (REG. 0X62)

| Bit | Mnemonic | Description                                      |
|-----|----------|--|
| <4> | SYNC     | 1, Synchronizes TACH2, TACH3, and TACH4 to PWM3. |

**TACH Inputs**

Pin 4, Pin 6, Pin 7, and Pin 9, when configured as TACH inputs, are open-drain TACH inputs intended for fan speed measurement.

Signal conditioning in the ADT7475 accommodates the slow rise and fall times typical of fan tachometer outputs. The maximum input signal range is 0 V to 3.6 V. In the event these inputs are supplied from fan outputs that exceed 0 V to 3.6 V, either resistive attenuation of the fan signal or diode clamping must be included to keep inputs within an acceptable range.

Figure 35 to Figure 38 show circuits for most common fan TACH outputs. If the fan TACH output has a resistive pullup to V<sub>CC</sub>, it can be connected directly to the fan input, as shown in Figure 35.

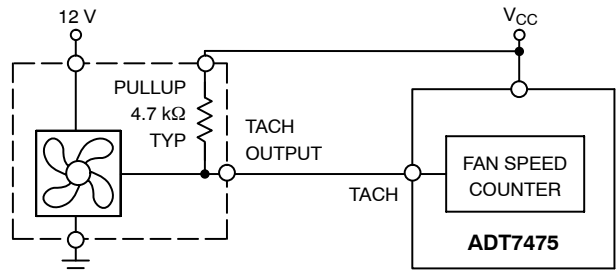
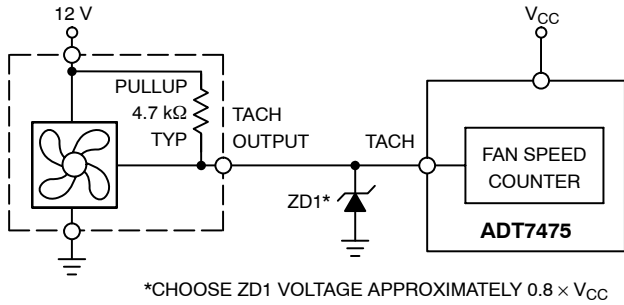


Figure 35. Fan with TACH Pullup to V<sub>CC</sub>

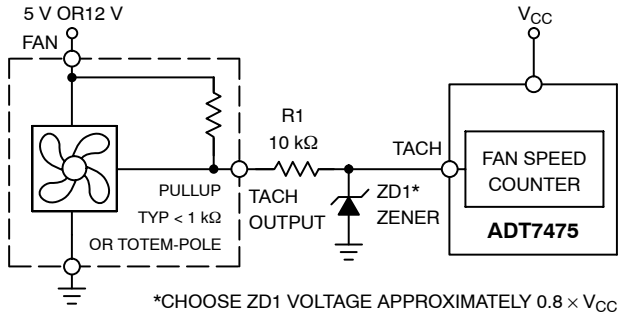
If the fan output has a resistive pullup to 12 V, or other voltage greater than 3.6 V, the fan output can be clamped with a Zener diode, as shown in Figure 36. The Zener diode voltage should be chosen so that it is greater than V<sub>IH</sub> of the TACH

input but less than 3.6 V, allowing for the voltage tolerance of the Zener. A value between 3.0 V and 3.6 V is suitable.



**Figure 36. Fan with TACH Pullup to Voltage > 3.6 V (Example, 12 V) Clamped with Zener Diode**

If the fan has a strong pullup (less than 1 kΩ) to 12 V or a totem-pole output, then a series resistor can be added to limit the Zener current, as shown in Figure 37.



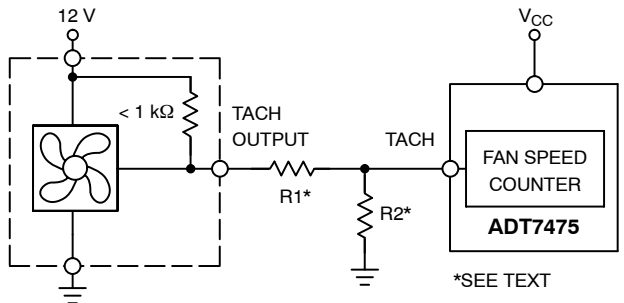
**Figure 37. Fan with Strong TACH. Pullup to > V<sub>CC</sub> or Totem-Pole Output, Clamped with Zener and Resistor**

Alternatively, a resistive attenuator can be used, as shown in Figure 38. R1 and R2 should be chosen such that:

$$2\text{ V} < V_{\text{PULLUP}} \times R2 / (R_{\text{PULLUP}} + R1 + R2) < 3.6\text{ V} \text{ (eq. 3)}$$

The fan inputs can have an input resistance of 160 kΩ to 5.1 kΩ to ground, which should be taken into account when calculating resistor values.

With a pullup voltage of 12 V and pullup resistor less than 1 kΩ, suitable values for R1 and R2 would be 100 kΩ and 33 kΩ, respectively. This gives a high input voltage of 2.95 V.



**Figure 38. Fan with Strong TACH. Pullup to > V<sub>CC</sub> or Totem-Pole Output, Attenuated with R1/R2**

### Fan Speed Measurement

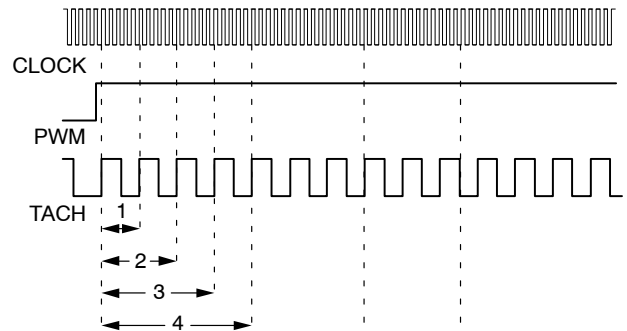
The fan counter does not count the fan TACH output pulses directly because the fan speed could be less than 1,000 RPM and it would take several seconds to accumulate a reasonably large and accurate count. Instead, the period of the fan revolution is measured by gating an on-chip 90 kHz oscillator into the input of a 16-bit counter for N periods of the fan TACH output (see Figure 39), so the accumulated count is actually proportional to the fan tachometer period and inversely proportional to the fan speed.

N, the number of pulses counted, is determined by the settings of Register 0x7B (TACH Pulses per Revolution register). This register contains two bits for each fan, allowing one, two (default), three, or four TACH pulses to be counted.

### Measuring Fan TACH

When the ADT7475 starts up, TACH measurements are locked. In effect, an internal read of the low byte has been made for each TACH input. The net result of this is that all TACH readings are locked until the high byte is read from the corresponding TACH registers. All TACH related interrupts are also ignored until the appropriate high byte is read.

Once the corresponding high byte has been read, TACH measurements are unlocked and interrupts are processed as normal.



**Figure 39. Fan Speed Measurement**

### Fan Speed Measurement Registers

The fan tachometer readings are 16-bit values consisting of a 2-byte read from the ADT7475.

**Table 31. FAN SPEED MEASUREMENT REGISTERS**

| Register | Description     | Default |
|----------|-----------------|---------|
| 0x28     | TACH1 Low Byte  | 0x00    |
| 0x29     | TACH1 High Byte | 0x00    |
| 0x2A     | TACH2 Low Byte  | 0x00    |
| 0x2B     | TACH2 High Byte | 0x00    |
| 0x2C     | TACH3 Low Byte  | 0x00    |
| 0x2D     | TACH3 High Byte | 0x00    |
| 0x2E     | TACH4 Low Byte  | 0x00    |
| 0x2F     | TACH4 High Byte | 0x00    |



**Reading Fan Speed from the ADT7475**

The measurement of fan speeds involves a 2-register read for each measurement. The low byte should be read first. This causes the high byte to be frozen until both high and low byte registers have been read, preventing erroneous TACH readings. The fan tachometer reading registers report back the number of 11.11 μs period clocks (90 kHz oscillator) gated to the fan speed counter, from the rising edge of the first fan TACH pulse to the rising edge of the third fan TACH pulse (assuming two pulses per revolution are being counted). Because the device is essentially measuring the fan TACH period, the higher the count value, the slower the fan is actually running. A 16-bit fan tachometer reading of 0xFFFF indicates that the fan either has stalled or is running very slowly (<100 RPM).

**High Limit > Comparison Performed**

Because the actual fan TACH period is being measured, falling below a fan TACH limit by 1 sets the appropriate status bit and can be used to generate an SMBALERT.

**Fan TACH Limit Registers**

The fan TACH limit registers are 16-bit values consisting of two bytes.

**Table 32. FAN TACH LIMIT REGISTERS**

| Register | Description             | Default |
|----------|-------------------------|---------|
| 0x54     | TACH1 Minimum Low Byte  | 0xFF    |
| 0x55     | TACH1 Minimum High Byte | 0xFF    |
| 0x56     | TACH2 Minimum Low Byte  | 0xFF    |
| 0x57     | TACH2 Minimum High Byte | 0xFF    |
| 0x58     | TACH3 Minimum Low Byte  | 0xFF    |
| 0x59     | TACH3 Minimum High Byte | 0xFF    |
| 0x5A     | TACH4 Minimum Low Byte  | 0xFF    |
| 0x5B     | TACH4 Minimum High Byte | 0xFF    |

**Fan Speed Measurement Rate**

The fan TACH readings are normally updated once every second. The FAST bit (Bit 3) of Configuration Register 3 (0x78), when set, updates the fan TACH readings every 250 ms.

If any of the fans are not being driven by a PWM channel but are powered directly from 5.0 V or 12 V, their associated dc bit in Configuration Register 3 should be set. This allows TACH readings to be taken on a continuous basis for fans connected directly to a dc source. For optimal results, the associated dc bit should always be set when using 4-wire fans.

**Calculating Fan Speed**

Assuming a fan with a two pulses per revolution (and two pulses per revolution being measured), fan speed is calculated by the following:

$$\text{Fan Speed (RPM)} = (90,000 \times 60) / \text{Fan TACH Reading}$$

where Fan TACH Reading is the 16-bit fan tachometer reading.

**Example**

TACH1 High Byte (Register 0x29) = 0x17

TACH1 Low Byte (Register 0x28) = 0xFF

What is Fan 1 speed in RPM?

$$\text{Fan 1 TACH Reading} = 0x17FF = 6143 \text{ (decimal)}$$

$$\text{RPM} = (f \times 60) / \text{Fan 1 TACH Reading}$$

$$\text{RPM} = (90,000 \times 60) / 6143$$

$$\text{Fan Speed} = 879 \text{ RPM}$$

**Fan Pulses per Revolution**

Different fan models can output either 1, 2, 3, or 4 TACH pulses per revolution. Once the number of fan TACH pulses has been determined, it can be programmed into the TACH Pulses per Revolution register (Register 0x7B) for each fan.

Alternatively, this register can be used to determine the number or pulses per revolution output by a given fan. By plotting fan speed measurements at 100% speed with different pulses per revolution setting, the smoothest graph with the lowest ripple determines the correct pulses per revolution value.

**Table 33. TACH PULSES/REVOLUTION REGISTER (REG. 0X7B)**

| Bit   | Mnemonic     | Description             |
|-------|--------------|-------------------------|
| <1:0> | FAN1 Default | 2 Pulses per Revolution |
| <3:2> | FAN2 Default | 2 Pulses per Revolution |
| <5:4> | FAN3 Default | 2 Pulses per Revolution |
| <7:6> | FAN4 Default | 2 Pulses per Revolution |

**Table 34. TACH PULSES/REVOLUTION REGISTER BIT VALUES**

| Value | Description             |
|-------|-------------------------|
| 00    | 1 Pulse per Revolution  |
| 01    | 2 Pulses per Revolution |
| 10    | 3 Pulses per Revolution |
| 11    | 4 Pulses per Revolution |

**Fan Spin-up**

The ADT7475 has a unique fan spin-up function. It spins the fan at 100% PWM duty cycle until two TACH pulses are detected on the TACH input. Once two TACH pulses have been detected, the PWM duty cycle goes to the expected running value, for example, 33%. The advantage is that fans have different spin-up characteristics and take different times to overcome inertia. The ADT7475 runs the fans just fast enough to overcome inertia and is quieter on spin-up than fans programmed to spin up for a given spin-up time.

**Fan Startup Timeout**

To prevent the generation of false interrupts as a fan spins up (because it is below running speed), the ADT7475 includes a fan startup timeout function. During this time, the ADT7475 looks for two TACH pulses. If two TACH pulses are not detected, an interrupt is generated. Using Configuration Register 1 (0x40), Bit 5 (FSPDIS), this

functionality can be changed (see the Disabling Fan Startup Timeout section).

**Table 35. PWM1 TO PWM3 CONFIGURATION (REG. 0X5C TO 0X5E)**

| Bit   | Mnemonic | Description  |
|-------|----------|--|
| <2:0> | SPIN     | These bits control the startup timeout for PWM1 (0x5C), PWM2 (0x5D), PWM3 (0x5E).<br>000 = No Startup Timeout<br>001 = 100 ms<br>010 = 250 ms (Default)<br>011 = 400 ms<br>100 = 667 ms<br>101 = 1 s<br>110 = 2 s<br>111 = 4 s |

#### Disabling Fan Startup Timeout

Although fan startup makes fan spin-ups much quieter than fixed-time spin-ups, the option exists to use fixed spin-up times. Setting Bit 5 (FSPDIS) to 1 in Configuration Register 1 (0x40) disables the spin-up for two TACH pulses. Instead, the fan spins up for the fixed time as selected in Register 0x5C to Register 0x5E.

#### PWM Logic State

The PWM outputs can be programmed high for 100% duty cycle (non-inverted) or low for 100% duty cycle (inverted).

**Table 36. PWM1 TO PWM3 CONFIGURATION (REG. 0X5C TO 0X5E) BITS**

| Bit | Mnemonic | Description   |
|-----|----------|---|
| <4> | INV      | 0 = logic high for 100% PWM duty cycle<br>1 = logic low for 100% PWM duty cycle |

#### Low Frequency Mode PWM Drive Frequency

The PWM drive frequency can be adjusted for the application. Register 0x5F to Register 0x61 configure the PWM frequency for PWM1 to PWM3, respectively. In high frequency mode, the PWM drive frequency is always 22.5 kHz.

#### High Frequency Mode PWM Drive

Setting Bit 3 of Register 0x5F, Register 0x60, and Register 0x61 enables high frequency mode for Fan 1, Fan 2, and Fan 3, respectively.

**Table 37. PWM FREQUENCY REGISTERS (REG. 0X5F TO 0X61)**

| Bit   | Mnemonic | Description  |
|-------|----------|--|
| <2:0> | FREQ     | 000 = 11.0 Hz<br>001 = 14.7 Hz<br>010 = 22.1 Hz<br>011 = 29.4 Hz<br>100 = 35.3 Hz (Default)<br>101 = 44.1 Hz<br>110 = 58.8 Hz<br>111 = 88.2 Hz |

#### Fan Speed Control

The ADT7475 controls fan speed using automatic mode and manual mode as follows:

- In automatic fan speed control mode, fan speed is automatically varied with temperature and without CPU intervention, once initial parameters are set up. The advantage of this is, if the system hangs, the user is guaranteed that the system is protected from overheating. For more information about how to program the automatic fan speed control loop, see the Programming the Automatic Fan Speed Control Loop section.
- In manual fan speed control mode, the ADT7475 allows the duty cycle of any PWM output to be manually adjusted. This can be useful if the user wants to change fan speed at the software level or adjust PWM duty cycle output for test purposes. Bits <7:5> of Register 0x5C to Register 0x5E (PWM configuration) control the behavior of each PWM output.

**Table 38. PWM CONFIGURATION (REG. 0X5C TO 0X5E) BITS**

| Bit   | Mnemonic | Description |
|-------|----------|-------------|
| <7:5> | BHVR 111 | Manual Mode |

Once under manual control, each PWM output can be manually updated by writing to Register 0x30 to Register 0x32 (PWMx current duty cycle registers).

#### Programming the PWM Current Duty Cycle Registers

The PWM current duty cycle registers are 8-bit registers that allow the PWM duty cycle for each output to be set anywhere from 0% to 100% in steps of 0.39%.

The value to be programmed into the PWM<sub>MIN</sub> register is given by:

$$\text{Value (decimal)} = \text{PWM}_{\text{MIN}} / 0.39$$

#### Example 1:

For a PWM duty cycle of 50%,  
Value (decimal) = 50/0.39 = 128 (decimal)  
Value = 128 (decimal) or 0x80 (hex)

#### Example 2:

For a PWM duty cycle of 33%,  
Value (decimal) = 33/0.39 = 85 (decimal)  
Value = 85 (decimal) or 0x54 (hex)

**Table 39. PWM CURRENT DUTY CYCLE REGISTERS**

| Register | Description             | Default   |
|----------|-------------------------|-----------|
| 0x30     | PWM1 Current Duty Cycle | 0x00 (0%) |
| 0x31     | PWM2 Current Duty Cycle | 0x00 (0%) |
| 0x32     | PWM3 Current Duty Cycle | 0x00 (0%) |

By reading the PWMx current duty cycle registers, the user can keep track of the current duty cycle on each PWM output, even when the fans are running in automatic fan

speed control mode or acoustic enhancement mode. See the Programming the Automatic Fan Speed Control Loop section for details.

**Operating from 3.3 V Standby**

The ADT7475 has been specifically designed to operate from a 3.3 V STBY supply. In computers that support S3 and S5 states, the core voltage of the processor is lowered in these states. When monitoring  $\overline{\text{THERM}}$ , the  $\overline{\text{THERM}}$  timer should be disabled during these states.

**Standby Mode**

The ADT7475 has been specifically designed to respond to the STBY supply. In computers that support S3 and S5 states, the core voltage of the processor is lowered in these states. When monitoring  $\overline{\text{THERM}}$ , the  $\overline{\text{THERM}}$  timer should be disabled during these states.

When the  $V_{\text{CCP}}$  voltage drops below the  $V_{\text{CCP}}$  low limit, the following occurs:

1. Status Bit 1 ( $V_{\text{CCP}}$ ) in Status Register 1 is set.
2.  $\overline{\text{SMBALERT}}$  is generated, if enabled.
3.  $\overline{\text{THERM}}$  monitoring is disabled. The  $\overline{\text{THERM}}$  timer should hold its value prior to the S3 or S5 state.

Once the core voltage,  $V_{\text{CCP}}$ , goes above the  $V_{\text{CCP}}$  low limit, everything is re-enabled and the system resumes normal operation.

**XNOR Tree Test Mode**

The ADT7475 includes an XNOR tree test mode. This mode is useful for in-circuit test equipment at board-level testing. By applying stimulus to the pins included in the XNOR tree, it is possible to detect opens or shorts on the system board.

Figure 40 shows the signals that are exercised in the XNOR tree test mode. The XNOR tree test is invoked by setting Bit 0 (XEN) of the XNOR tree test enable register (0x6F).

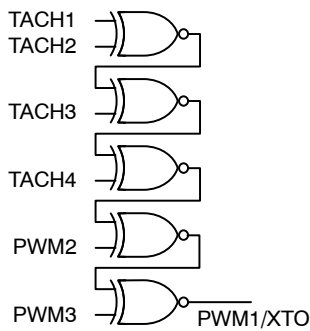


Figure 40. XNOR Tree Test

**Power-On Default**

When the ADT7475 is powered up, it polls the  $V_{\text{CCP}}$  input.

If  $V_{\text{CCP}}$  stays below 0.75 V (the system CPU power rail is not powered up), the ADT7475 assumes the functionality

of the default registers after the ADT7475 is addressed via any valid SMBus transaction.

If  $V_{\text{CC}}$  goes high (the system processor power rail is powered up), a fail-safe timer begins to count down. If the ADT7475 is not addressed by any valid SMBus transactions before the fail-safe timeout (4.6 seconds) lapses, the ADT7475 drives the fans to full speed. If the ADT7475 is addressed by a valid SMBus transaction after this point, the fans stop, and the ADT7475 assumes its default settings and begins normal operation.

If  $V_{\text{CCP}}$  goes high (the system processor power rail is powered up), then a fail-safe timer begins to count down. If the ADT7475 is addressed by a valid SMBus transaction before the fail-safe timeout (4.6 seconds) lapses, then the ADT7475 operates normally, assuming the functionality of all the default registers. See the flow chart in Figure 41.

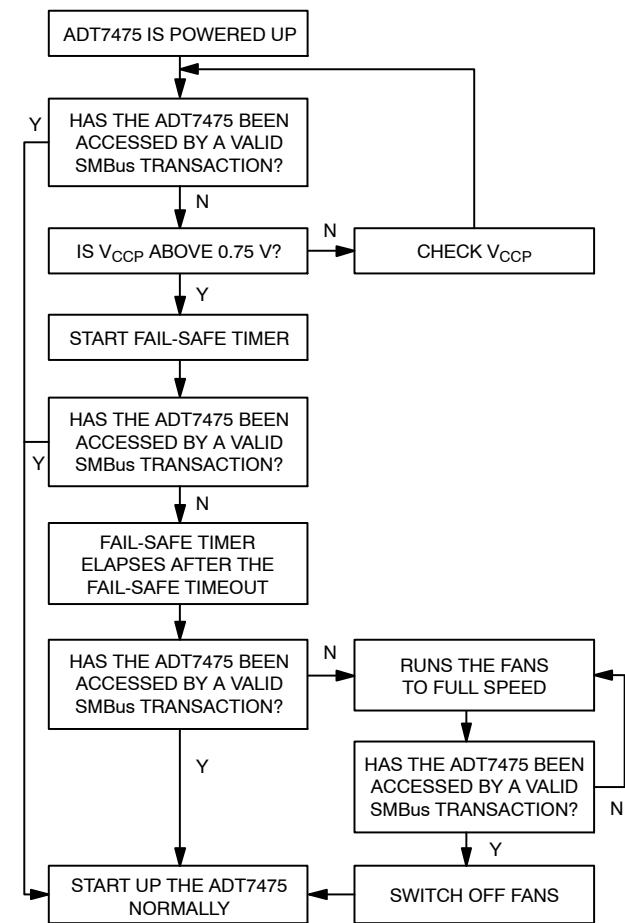


Figure 41. Power-on Flow Chart

**Programming the Automatic Fan Speed Control Loop**

To more efficiently understand the automatic fan speed control loop, it is strongly recommended to use the ADT7475 evaluation board and software while reading this section.

This section provides the system designer with an understanding of the automatic fan control loop, and provides step-by-step guidance on effectively evaluating

and selecting critical system parameters. To optimize the system characteristics, the designer needs to give some thought to system configuration, including the number of fans, where they are located, and what temperatures are being measured in the particular system.

The mechanical or thermal engineer who is tasked with the system thermal characterization should also be involved at the beginning of this process.

**Automatic Fan Control Overview**

The ADT7475 can automatically control the speed of fans based upon the measured temperature. This is done independently of CPU intervention once initial parameters are set up.

The ADT7475 has a local temperature sensor and two remote temperature channels that can be connected to a CPU on-chip thermal diode (available on Intel® Pentium® class and other CPUs). These three temperature channels can be used as the basis for automatic fan speed control to drive fans using pulse-width modulation (PWM).

Automatic fan speed control reduces acoustic noise by optimizing fan speed according to accurately measured temperature. Reducing fan speed can also decrease system current consumption.

The automatic fan speed control mode is very flexible owing to the number of programmable parameters,

including  $T_{MIN}$  and  $T_{RANGE}$ . The  $T_{MIN}$  and  $T_{RANGE}$  values for a temperature channel, and, therefore, for a given fan are critical because they define the thermal characteristics of the system. The thermal validation of the system is one of the most important steps in the design process, so select these values carefully.

Figure 42 gives a top-level overview of the automatic fan control circuitry on the ADT7475. From a systems level perspective, up to three system temperatures can be monitored and used to control three PWM outputs. The three PWM outputs can be used to control up to four fans. The ADT7475 allows the speed of four fans to be monitored. Each temperature channel has a thermal calibration block, allowing the designer to individually configure the thermal characteristics of each temperature channel.

For example, the designer can decide to run the CPU fan when CPU temperature increases above 60°C and a chassis fan when the local temperature increases above 45°C. At this stage, the designer has not assigned these thermal calibration settings to a particular fan drive (PWM) channel. The right side of Figure 42 shows controls that are fan-specific. The designer has individual control over parameters such as minimum PWM duty cycle, fan speed failure thresholds, and even ramp control of the PWM outputs. Automatic fan control, then, ultimately allows graceful fan speed changes that are less perceptible to the system user.

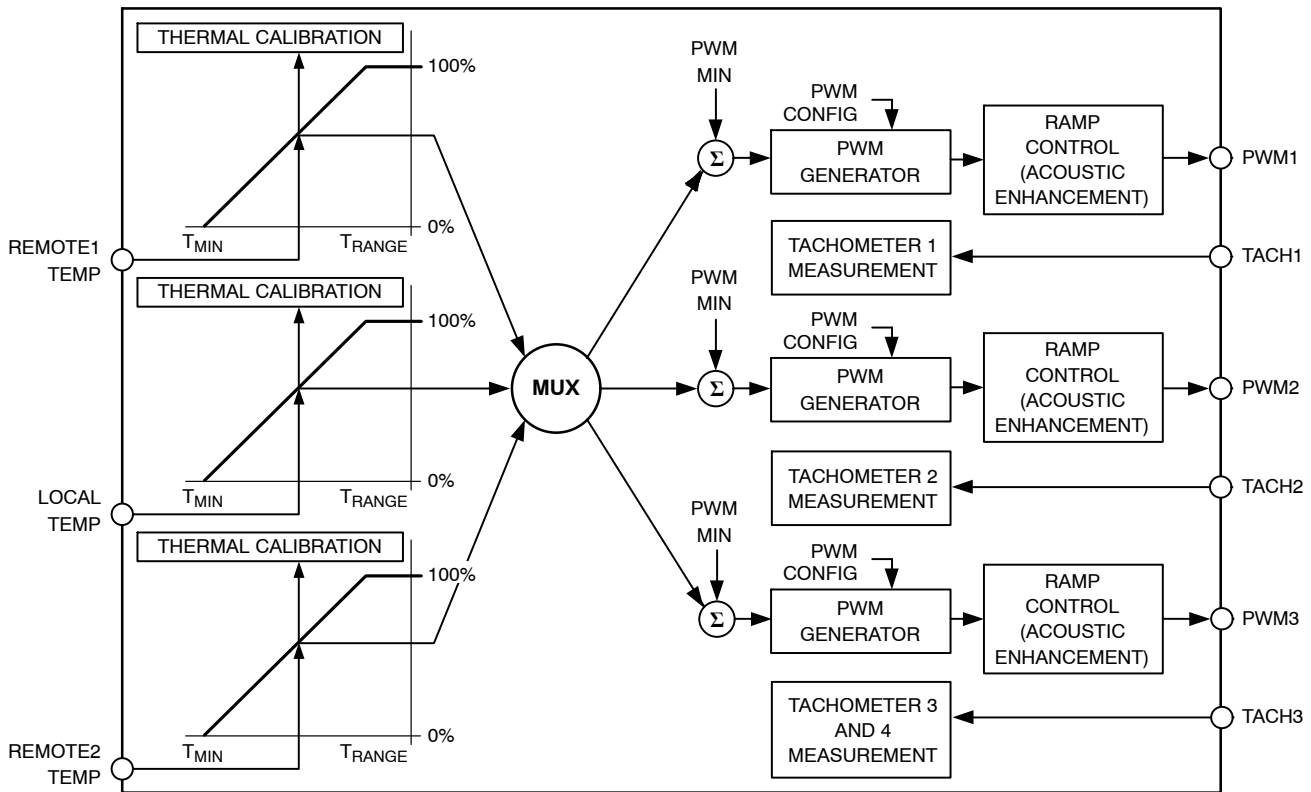


Figure 42. Automatic Fan Control Block Diagram

**Step 1: Hardware Configuration**

During system design, the motherboard sensing and control capabilities should be addressed early in the design stages. Decisions about how these capabilities are used should involve the system thermal/mechanical engineer. Ask the following questions:

1. What ADT7475 functionality will be used?
  - PWM2 or SMBALERT?
  - TACH4 fan speed measurement or overtemperature THERM function?

The ADT7475 offers multifunctional pins that can be reconfigured to suit different system requirements and physical layouts. These multifunction pins are software programmable.

2. How many fans will be supported in the system, three or four?

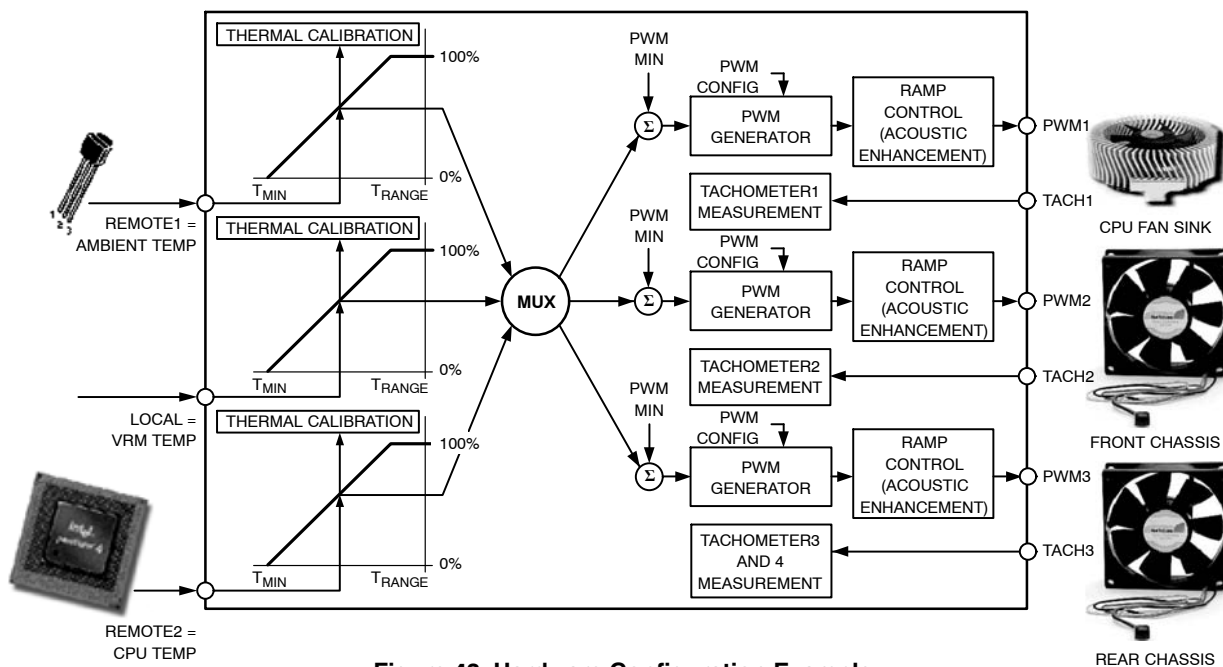
This influences the choice of whether to use the TACH4 pin or to reconfigure it for the THERM function.

3. Is the CPU fan to be controlled using the ADT7475 or will it run at full speed 100% of the time?

If run at 100%, this frees up a PWM output, but the system is louder.

4. Where will the ADT7475 be physically located in the system?

This influences the assignment of the temperature measurement channels to particular system thermal zones. For example, locating the ADT7475 close to the VRM controller circuitry allows the VRM temperature to be monitored using the local temperature channel.



**Figure 43. Hardware Configuration Example**

**Recommended Implementation 1**

Configuring the ADT7475 as in Figure 44 provides the system designer with the following features:

- Two PWM outputs for fan control of up to three fans (The front and rear chassis fans are connected in parallel).
- Three TACH fan speed measurement inputs.
- V<sub>CC</sub> measured internally through Pin 3.
- CPU core voltage measurement (V<sub>CORE</sub>).
- VRM temperature using local temperature sensor.

- CPU temperature measured using the Remote 1 temperature channel.
- Ambient temperature measured through the Remote 2 temperature channel.
- Bidirectional THERM pin, which allows the monitoring of PROCHOT output from an Intel® Pentium® 4 processor, for example, or can be used as an overtemperature THERM output.
- SMBALERT system interrupt output.

## ADT7475

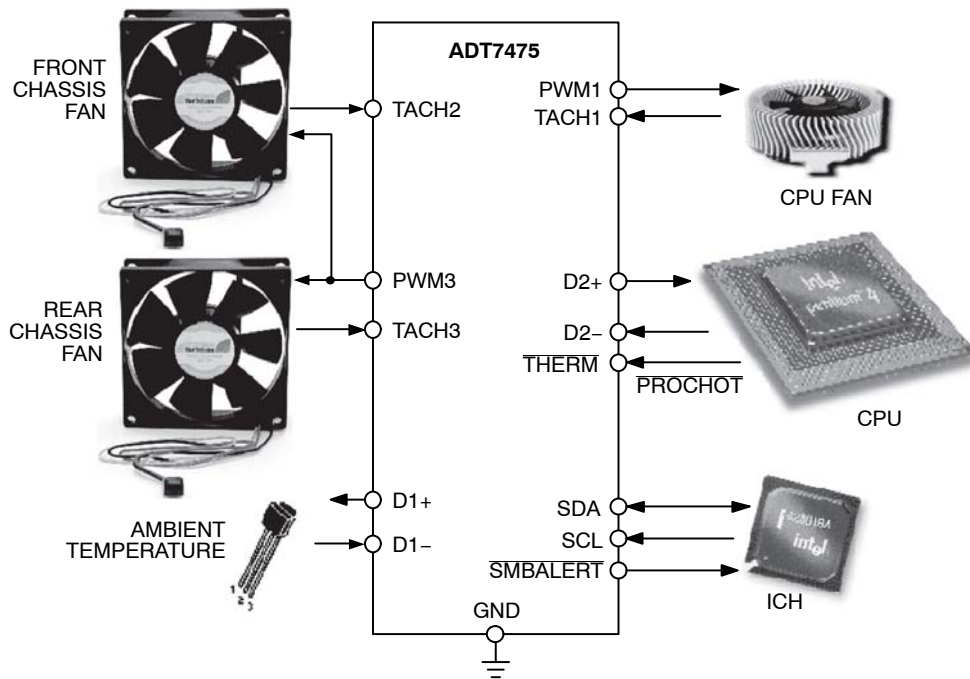


Figure 44. Recommended Implementation 1

### Recommended Implementation 2

Configuring the ADT7475 as in Figure 45 provides the system designer with the following features:

- Three PWM outputs for fan control of up to three fan (All three fans can be individually controlled).
- Three TACH fan speed measurement inputs.
- $V_{CC}$  measured internally through Pin 3.
- CPU core voltage measurement ( $V_{CORE}$ ).
- CPU temperature measured using the Remote 1 temperature channel.
- Ambient temperature measured through the Remote 2 temperature channel.
- Bidirectional  $\overline{THERM}$  pin that allows the monitoring of  $\overline{PROCHOT}$  output from an Intel® Pentium® 4 processor, for example, or can be used as an overtemperature  $\overline{THERM}$  output.

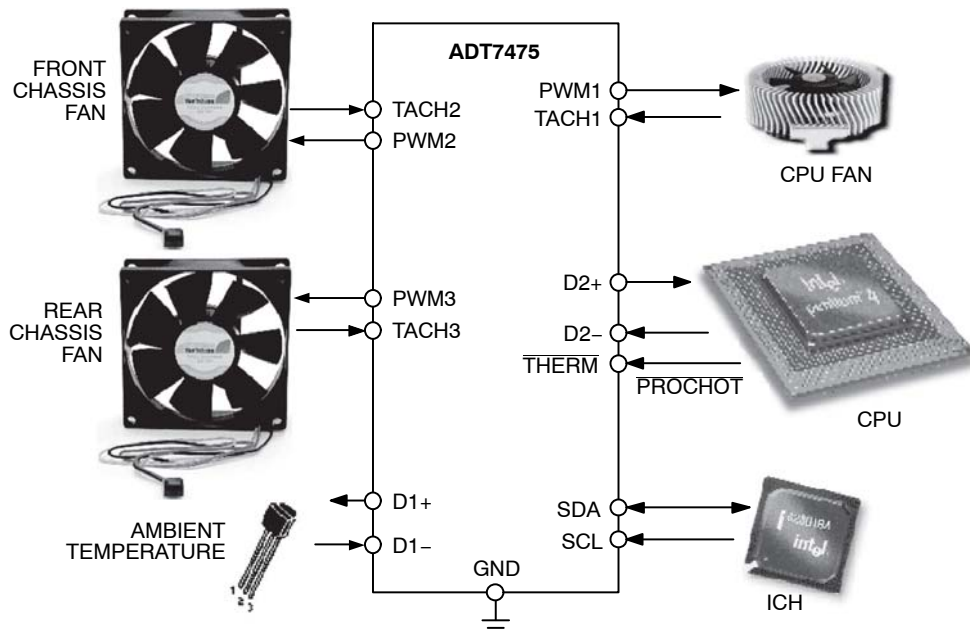


Figure 45. Recommended Implementation 2

**Step 2: Configuring the Mux**

After the system hardware configuration is determined, the fans can be assigned to particular temperature channels. Not only can fans be assigned to individual channels but the behavior of the fans is also configurable. For example, fans can be run under automatic fan control, manually under software control, or at the fastest speed calculated by multiple temperature channels. The mux is the bridge between temperature measurement channels and the three PWM outputs.

Bits <7:5> (BHVR) of Register 0x5C, Register 0x5D, and Register 0x5E (PWM configuration registers) control the behavior of the fans connected to the PWM1, PWM2, and PWM3 outputs. The values selected for these bits determine how the mux connects a temperature measurement channel to a PWM output.

**Automatic Fan Control Mux Options**

Bits <7:5> (BHVR), Register 0x5C, Register 0x5D, and Register 0x5E.

- 000 = Remote 1 temperature controls PWMx
- 001 = Local temperature controls PWMx

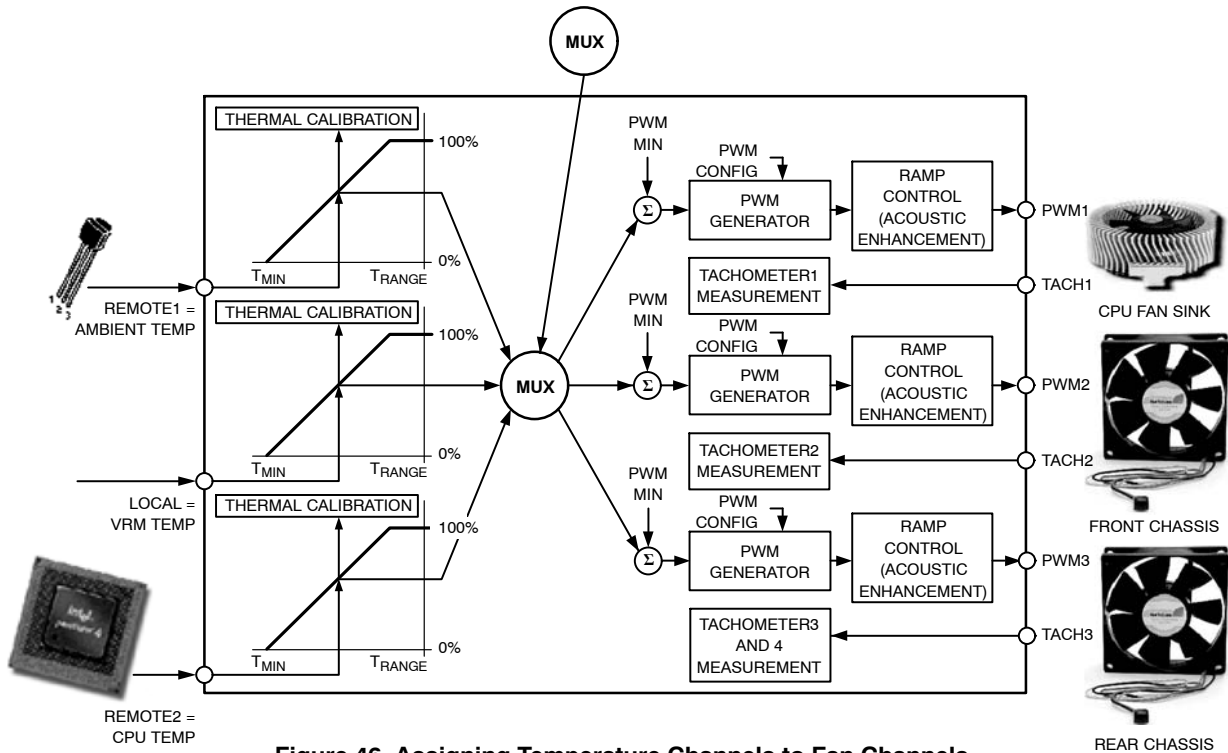
- 010 = Remote 2 temperature controls PWMx
- 101 = Fastest speed calculated by local and Remote 2 temperature controls PWMx
- 110 = Fastest speed calculated by all three temperature channel controls PWMx

The fastest speed calculated options pertain to controlling one PWM output based on multiple temperature channels. The thermal characteristics of the three temperature zones can be set to drive a single fan. An example is the fan turning on when Remote 1 temperature exceeds 60°C or when the local temperature exceeds 45°C.

**Other Mux Options**

Bits <7:5> (BHVR), Register 0x5C, Register 0x5D, and Register 0x5E.

- 011 = PWMx runs full speed
- 100 = PWMx disabled (default)
- 111 = manual mode. PWMx is running under software control. In this mode, PWM current duty cycle registers (0x30 to 0x32) are writable and control the PWM outputs



**Figure 46. Assigning Temperature Channels to Fan Channels**

**Mux Configuration Example**

This is an example of how to configure the mux in a system using the ADT7475 to control three fans. The CPU fan sink is controlled by PWM1, the front chassis fan is controlled by PWM2, and the rear chassis fan is controlled by PWM3. The mux is configured for the following fan control behavior:

- PWM1 (CPU fan sink) is controlled by the fastest speed calculated by the local (VRM temperature) and Remote 2 (processor) Temperatures. In this case, the CPU fan sink is also used to cool the VRM.
- PWM2 (front chassis fan) is controlled by the Remote 1 Temperature (ambient).

- PWM3 (rear chassis fan) is controlled by the Remote 1 Temperature (ambient).

**Example Mux Settings**

Bits <7:5> (BHVR), PWM1 Configuration Register (0x5C)  
 101 = Fastest speed calculated by local and Remote 2 temperature controls PWM1

Bits <7:5> (BHVR), PWM2 Configuration Register (0x5D)  
 000 = Remote 1 temperature controls PWM2

Bits <7:5> (BHVR), PWM3 Configuration Register (0x5E)  
 000 = Remote 1 temperature controls PWM3

These settings configure the mux, as shown in Figure 47.

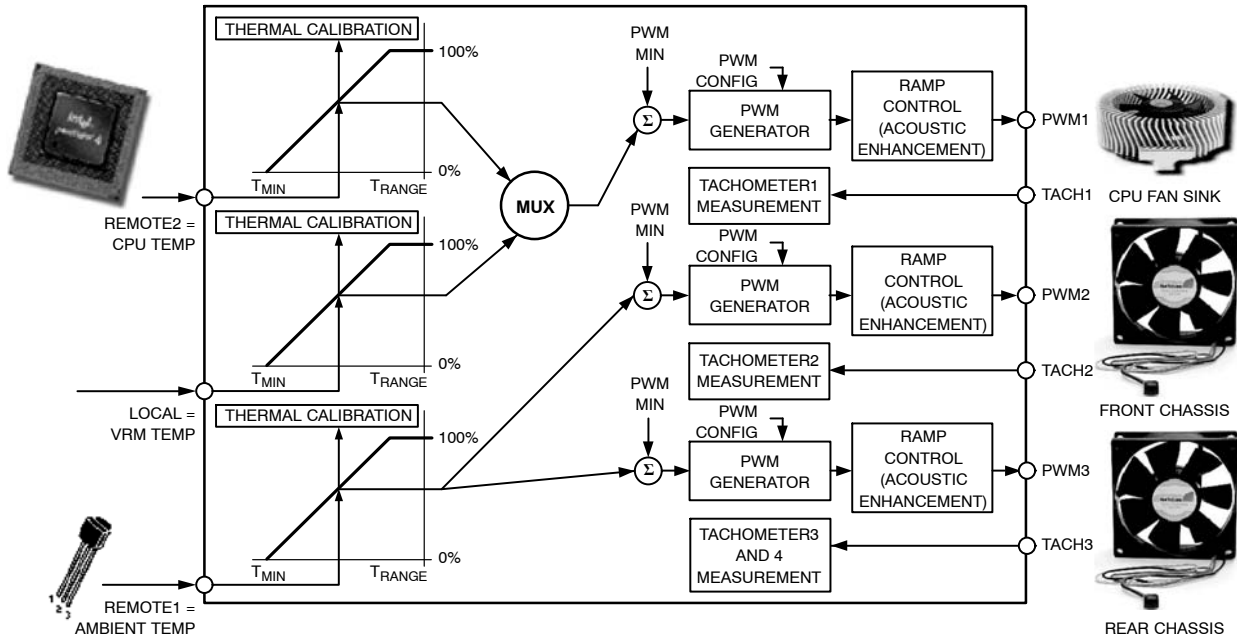


Figure 47. Mux Configuration Example

**Step 3: T<sub>MIN</sub> Settings for Thermal Calibration Channels**

T<sub>MIN</sub> is the temperature at which the fans turn on under automatic fan control. The speed at which the fan runs at T<sub>MIN</sub> is programmed later in the process. The T<sub>MIN</sub> values chosen are temperature channel specific, for example, 25°C for ambient channel, 30°C for VRM temperature, and 40°C for processor temperature.

T<sub>MIN</sub> is an 8-bit value, either two's complement or Offset 64, that can be programmed in 1°C increments. There is a T<sub>MIN</sub> register associated with each temperature measurement channel: Remote 1, local, and Remote 2 temperatures. Once the T<sub>MIN</sub> value is exceeded, the fan turns on and runs at the minimum PWM duty cycle. The fan turns off once the temperature has dropped below T<sub>MIN</sub> - T<sub>HYST</sub>.

To overcome fan inertia, the fan is spun up until two valid TACH rising edges are counted. See the Fan Startup Timeout Section for more details. In some cases, primarily for psycho-acoustic reasons, it is desirable that the fan never switch off below T<sub>MIN</sub>. Bits <7:5> of Enhanced Acoustics Register 1 (0x62), when set, keep the fans running at the PWM minimum duty cycle, if the temperature should fall below T<sub>MIN</sub>.

Table 40. T<sub>MIN</sub> REGISTERS

| Register | Description                           | Default     |
|----------|---------------------------------------|-------------|
| 0x67     | Remote 1 Temperature T <sub>MIN</sub> | 0x5A (90°C) |
| 0x68     | Local Temperature T <sub>MIN</sub>    | 0x5A (90°C) |
| 0x69     | Remote 2 Temperature T <sub>MIN</sub> | 0x5A (90°C) |

**Enhanced Acoustics Register 1 (0x62)**

Bit 7 (MIN3) = 0, PWM3 is off (0% PWM duty cycle) when temperature is below T<sub>MIN</sub> - T<sub>HYST</sub>.

Bit 7 (MIN3) = 1, PWM3 runs at PWM3 minimum duty cycle below T<sub>MIN</sub> - T<sub>HYST</sub>.

Bit 6 (MIN2) = 0, PWM2 is off (0% PWM duty cycle) when temperature is below T<sub>MIN</sub> - T<sub>HYST</sub>.

Bit 6 (MIN2) = 1, PWM2 runs at PWM2 minimum duty cycle below T<sub>MIN</sub> - T<sub>HYST</sub>.

Bit 5 (MIN1) = 0, PWM1 is off (0% PWM duty cycle) when temperature is below T<sub>MIN</sub> - T<sub>HYST</sub>.

Bit 5 (MIN1) = 1, PWM1 runs at PWM1 minimum duty cycle below T<sub>MIN</sub> - T<sub>HYST</sub>.



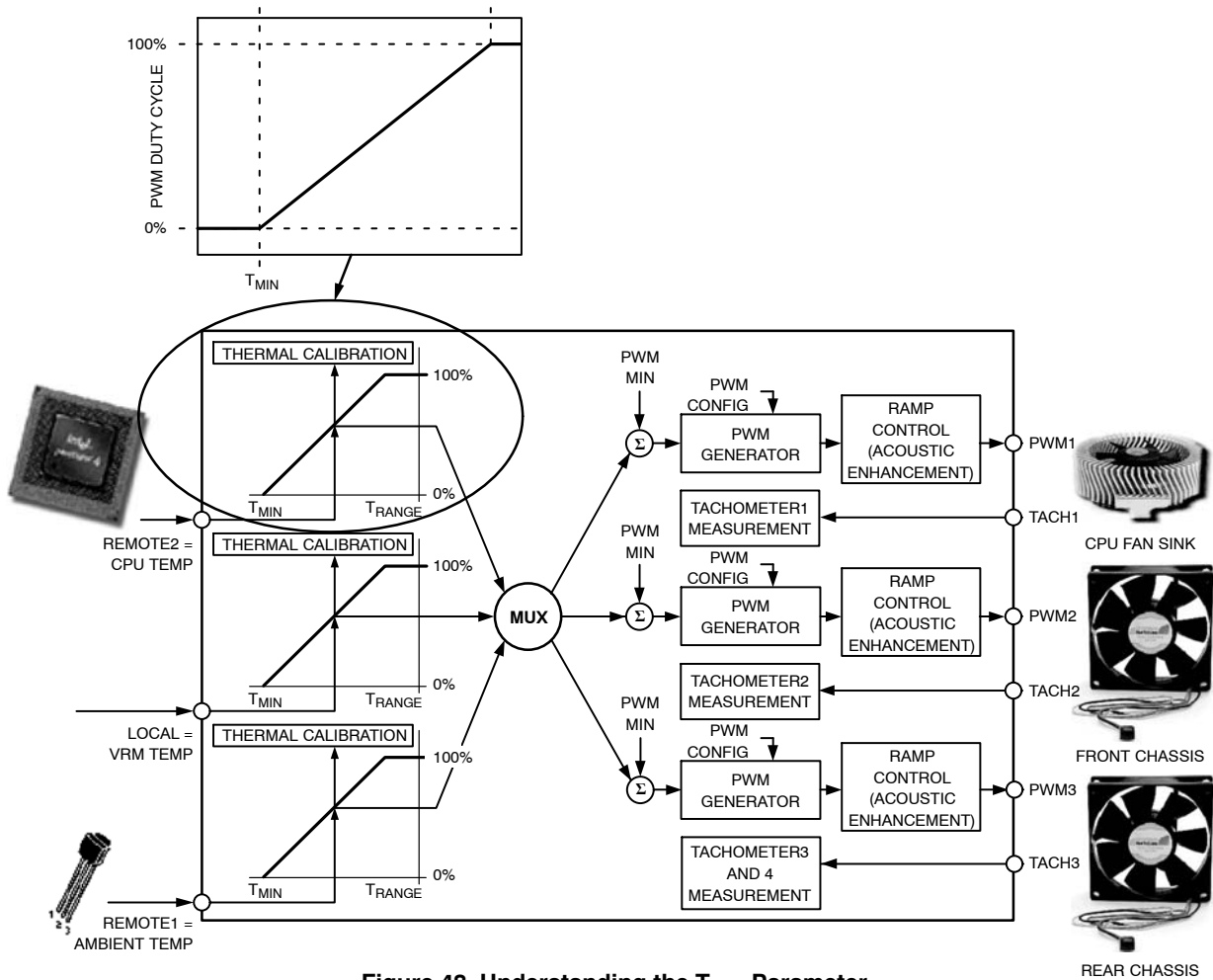


Figure 48. Understanding the  $T_{MIN}$  Parameter

**Step 4: PWM<sub>MIN</sub> for Each PWM (Fan) Output**

PWM<sub>MIN</sub> is the minimum PWM duty cycle at which each fan in the system runs. It is also the start speed for each fan under automatic fan control once the temperature rises above  $T_{MIN}$ . For maximum system acoustic benefit, PWM<sub>MIN</sub> should be as low as possible. Depending on the fan used, the PWM<sub>MIN</sub> setting is usually in the 20% to 33% duty cycle range. This value can be found through fan validation.

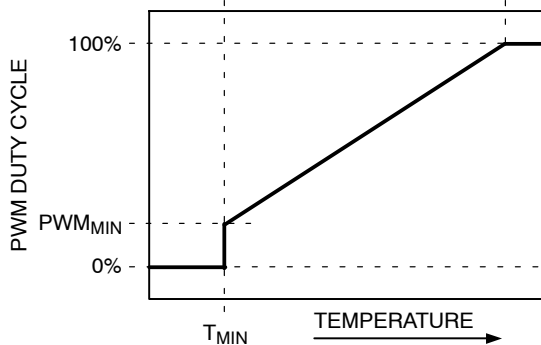


Figure 49. PWM<sub>MIN</sub> Determines Minimum PWM Duty Cycle

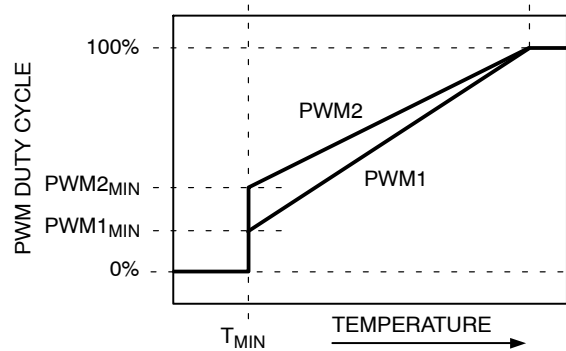


Figure 50. Operating Two Different Fans from a Single Temperature Channel

More than one PWM output can be controlled from a single temperature measurement channel. For example, Remote 1 temperature can control PWM1 and PWM2 outputs. If two different fans are used on PWM1 and PWM2, the fan characteristics can be set up differently. As a result, Fan 1 driven by PWM1 can have a different PWM<sub>MIN</sub> value than Fan 2 connected to PWM2. Figure 50 illustrates this as PWM1<sub>MIN</sub> (front fan) turns on at a minimum duty cycle of 20%, while PWM2<sub>MIN</sub> (rear fan) turns on at a minimum of

40% duty cycle. Note that both fans turn on at exactly the same temperature, defined by  $T_{MIN}$ .

**Programming the PWM<sub>MIN</sub> Registers**

The PWM<sub>MIN</sub> registers are 8-bit registers that allow the minimum PWM duty cycle for each output to be configured anywhere from 0% to 100%. This allows the minimum PWM duty cycle to be set in steps of 0.39%.

The value to be programmed into the PWM<sub>MIN</sub> register is given by:

$$\text{Value (decimal)} = \text{PWM}_{MIN} / 0.39$$

**Example 1**

For a minimum PWM duty cycle of 50%,  
 Value (decimal) = 50/0.39 = 128 (decimal)  
 Value = 128 (decimal) or 80 (hex)

**Example 2**

For a minimum PWM duty cycle of 33%,  
 Value (decimal) = 33/0.39 = 85 (decimal)  
 Value = 85 (decimal) or 54 (hex)

**Table 41. PWM<sub>MIN</sub> REGISTERS**

| Register | Description             | Default    |
|----------|-------------------------|------------|
| 0x64     | PWM1 Minimum Duty Cycle | 0x80 (50%) |
| 0x65     | PWM2 Minimum Duty Cycle | 0x80 (50%) |
| 0x66     | PWM3 Minimum Duty Cycle | 0x80 (50%) |

**Note on Fan Speed and PWM Duty Cycle**

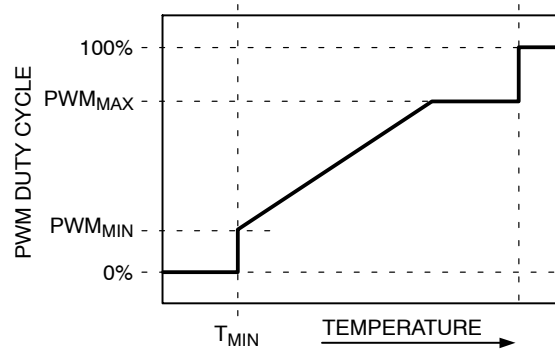
The PWM duty cycle does not directly correlate to fan speed in RPM. Running a fan at 33% PWM duty cycle does not equate to running the fan at 33% speed. Driving a fan at 33% PWM duty cycle actually runs the fan at closer to 50% of its full speed. This is because fan speed in %RPM generally relates to the square root of the PWM duty cycle. Given a PWM square wave as the drive signal, fan speed in RPM approximates to:

$$\% \text{ fanspeed} = \sqrt{\text{PWM duty cycle}} \times 10 \quad (\text{eq. 4})$$

**Step 5: PWM<sub>MAX</sub> for PWM (Fan) Outputs**

PWM<sub>MAX</sub> is the maximum duty cycle that each fan in the system runs at under the automatic fan speed control loop. For maximum system acoustic benefit, PWM<sub>MAX</sub> should be as low as possible but should be capable of maintaining the processor temperature limit at an acceptable level. If the THERM temperature limit is exceeded, the fans are still boosted to 100% for fail-safe cooling.

There is a PWM<sub>MAX</sub> limit for each fan channel. The default value of all PWM<sub>MAX</sub> registers is 0xFF.



**Figure 51. PWM<sub>MAX</sub> Determines Maximum PWM Duty Cycle Below the THERM Temperature Limit**

**Programming the PWM<sub>MAX</sub> Registers**

The PWM<sub>MAX</sub> registers are 8-bit registers that allow the maximum PWM duty cycle for each output to be configured anywhere from 0% to 100%. This allows the maximum PWM duty cycle to be set in steps of 0.39%.

The value to be programmed into the PWM<sub>MAX</sub> register is given by:

$$\text{Value (decimal)} = \text{PWM}_{MAX} / 0.39$$

**Example 1**

For a maximum PWM duty cycle of 50%,  
 Value (decimal) = 50/0.39 = 128 (decimal)  
 Value = 128 (decimal) or 80 (hex)

**Example 2**

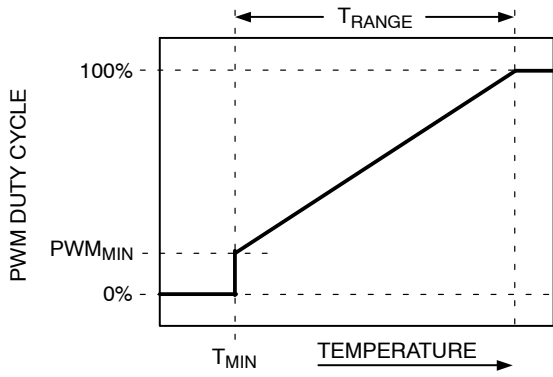
For a minimum PWM duty cycle of 75%,  
 Value (decimal) = 75/0.39 = 192 (decimal)  
 Value = 192 (decimal) or C0 (hex)

**Table 42. PWM<sub>MAX</sub> REGISTERS**

| Register | Description             | Default     |
|----------|-------------------------|-------------|
| 0x38     | PWM1 Maximum Duty Cycle | 0xFF (100%) |
| 0x39     | PWM2 Maximum Duty Cycle | 0xFF (100%) |
| 0x3A     | PWM3 Maximum Duty Cycle | 0xFF (100%) |

**Step 6: T<sub>RANGE</sub> for Temperature Channels**

T<sub>RANGE</sub> is the range of temperature over which automatic fan control occurs once the programmed T<sub>MIN</sub> temperature has been exceeded. T<sub>RANGE</sub> is the temperature range between PWM<sub>MIN</sub> and 100% PWM where the fan speed changes linearly. Otherwise stated, it is the line drawn between the T<sub>MIN</sub>/PWM<sub>MIN</sub> and the (T<sub>MIN</sub> + T<sub>RANGE</sub>)/PWM 100% intersection points.

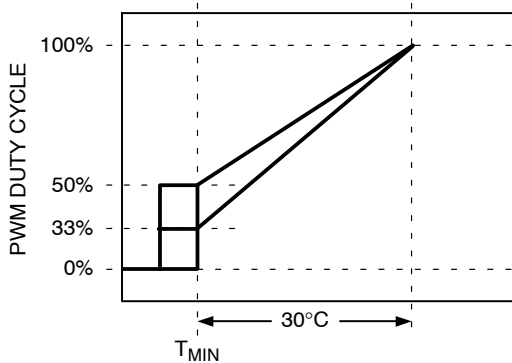


**Figure 52. T<sub>RANGE</sub> Parameter Affects Cooling Slope**

The T<sub>RANGE</sub> is determined by the following procedure:

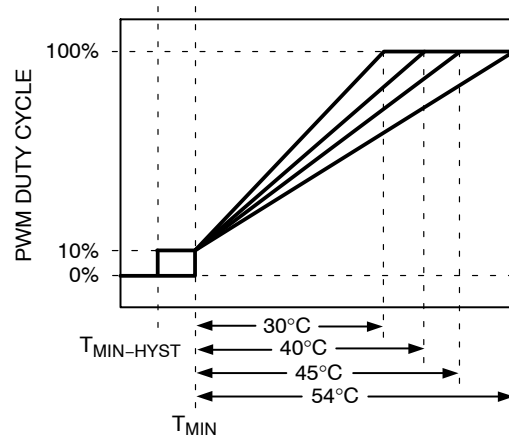
1. Determine the maximum operating temperature for that channel (for example, 70°C).
2. Determine, experimentally, the fan speed (PWM duty cycle value) that does not exceed the temperature at the worst-case operating points. (For example, 70°C is reached when the fans are running at 50% PWM duty cycle.)
3. Determine the slope of the required control loop to meet these requirements.
4. Using the ADT7475 evaluation software, graphically program and visualize this functionality.

As PWM<sub>MIN</sub> is changed, the automatic fan control slope also changes.

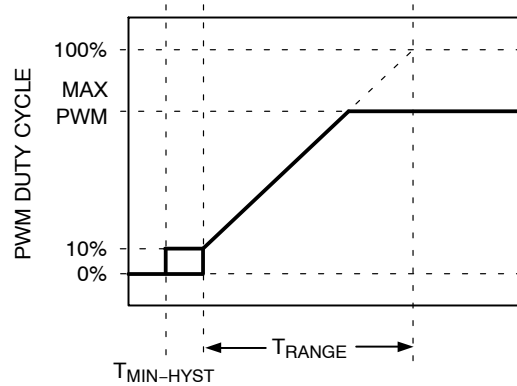


**Figure 53. Adjusting PWM<sub>MIN</sub> Changes the Automatic Fan Control Slope**

As T<sub>RANGE</sub> is changed, the slope also changes. As T<sub>RANGE</sub> gets smaller, the fans reach 100% speed with a smaller temperature change.



**Figure 54. Increasing T<sub>RANGE</sub> Changes the AFC Slope**



**Figure 55. Changing PWM<sub>MAX</sub> Does Not Change the AFC Slope**

**Selecting T<sub>RANGE</sub>**

The T<sub>RANGE</sub> value can be selected for each temperature channel: Remote 1, local, and Remote 2 temperatures. Bits <7:4> (RANGE) of Register 0x5F to Register 0x61 define the T<sub>RANGE</sub> value for each temperature channel.

**Table 43. SELECTING A T<sub>RANGE</sub> VALUE**

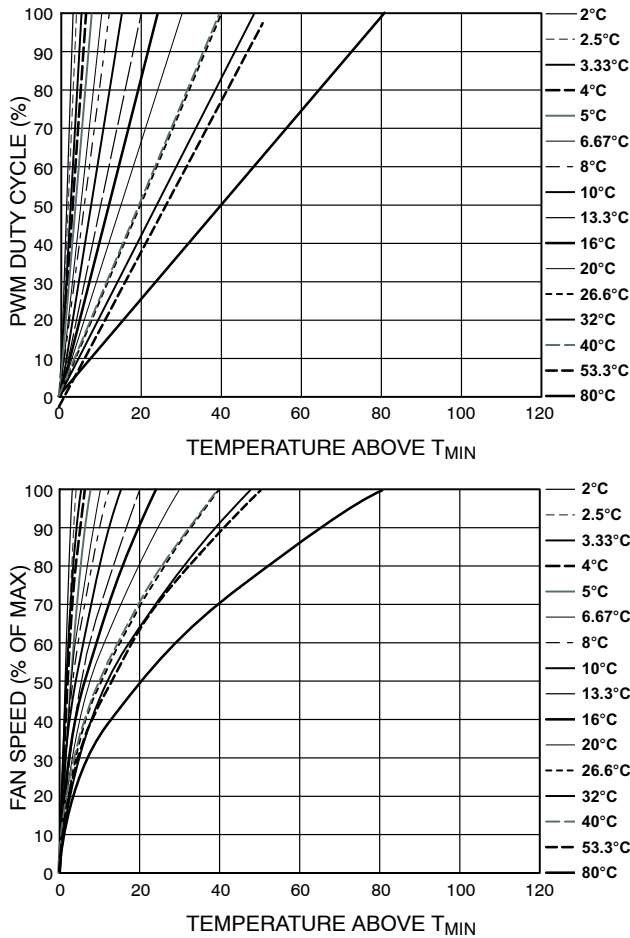
| Bits <7:4> (Note 1) | T <sub>RANGE</sub> (°C) |
|---------------------|-------------------------|
| 0000                | 2                       |
| 0001                | 2.5                     |
| 0010                | 3.33                    |
| 0011                | 4                       |
| 0100                | 5                       |
| 0101                | 6.67                    |
| 0110                | 8                       |
| 0111                | 10                      |
| 1000                | 13.33                   |
| 1001                | 16                      |
| 1010                | 20                      |
| 1011                | 26.67                   |
| 1100                | 32 (Default)            |
| 1101                | 40                      |
| 1110                | 53.33                   |
| 1111                | 80                      |

1. Register 0x5F configures Remote 1 T<sub>RANGE</sub>; Register 0x60 configures local T<sub>RANGE</sub>; Register 0x61 configures Remote 2 T<sub>RANGE</sub>.

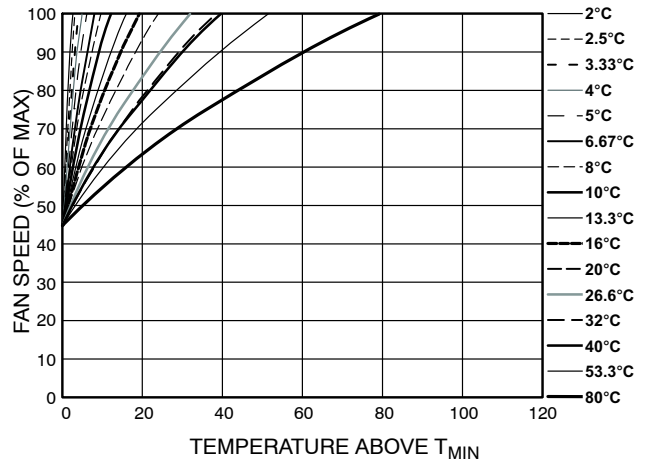
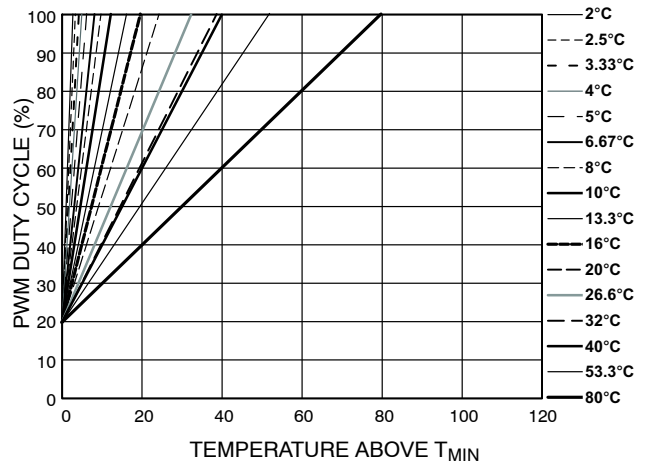
**Actual Changes in PWM Output  
(Advanced Acoustics Settings)**

While the automatic fan control algorithm describes the general response of the PWM output, the enhanced acoustics registers (0x62 and 0x63) can be used to set/clamp the maximum rate of change of PWM output for a given temperature zone. This means if  $T_{RANGE}$  is programmed with a steep AFC slope, a relatively small change in temperature can cause a large change in PWM output and an audible change in fan speed, which may be noticeable/annoying to users. Decreasing the PWM output's maximum rate of change, by programming the smoothing on the appropriate temperature channels (Register 0x62 and Register 0x63), clamps the fan speed's maximum rate of change in the event of a temperature spike. The PWM duty cycle increases slowly until the PWM duty cycle reaches the appropriate duty cycle as defined by the AFC curve.

Figure 56 shows PWM duty cycle versus temperature for each  $T_{RANGE}$  setting. The lower graph shows how each  $T_{RANGE}$  setting affects fan speed vs. temperature. As can be seen from the graph, the effect on fan speed is non-linear.



**Figure 56.  $T_{RANGE}$  vs. Actual Fan Speed (not PWM Drive) Profile**



**Figure 57.  $T_{RANGE}$  and % Fan Speed Slopes with  $PWM_{MIN} = 20\%$**

The graphs in Figure 56 assume that the fan starts from 0% PWM duty cycle. Clearly, the minimum PWM duty cycle,  $PWM_{MIN}$ , needs to be factored in to see how the loop actually performs in the system. Figure 57 shows how  $T_{RANGE}$  is affected when the  $PWM_{MIN}$  value is set to 20%. It can be seen that the fan actually runs at about 45% fan speed when the temperature exceeds  $T_{MIN}$ .

**Example: Determining  $T_{RANGE}$  for Each Temperature Channel**

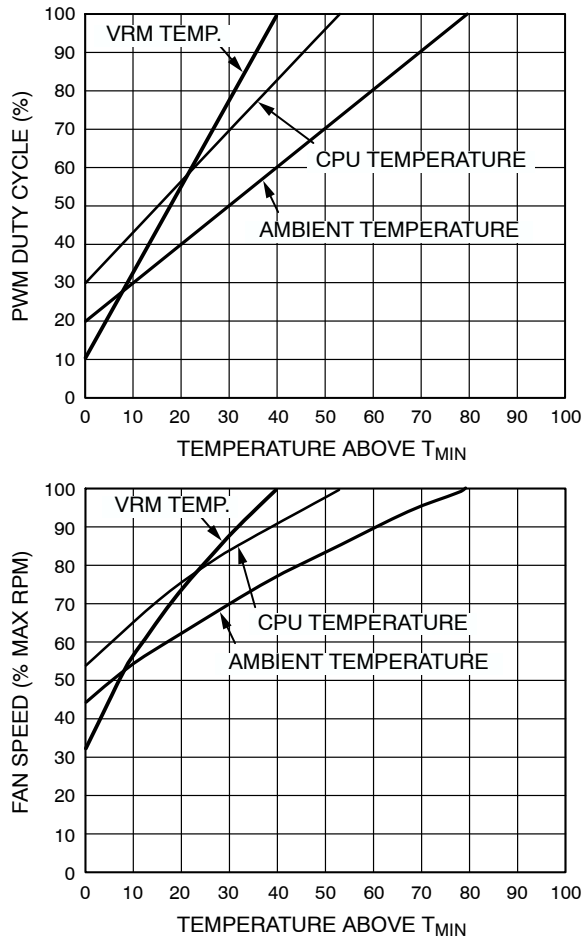
The following example shows how the different  $T_{MIN}$  and  $T_{RANGE}$  settings can be applied to three different thermal zones. In this example, the following  $T_{RANGE}$  values apply:

- $T_{RANGE} = 80^{\circ}C$  for ambient temperature
- $T_{RANGE} = 53.33^{\circ}C$  for CPU temperature
- $T_{RANGE} = 40^{\circ}C$  for VRM temperature

This example uses the mux configuration described in Step 2: Configuring the Mux, with the ADT7475 connected as shown in Figure 47. Both CPU temperature and VRM

temperature drive the CPU fan connected to PWM1. Ambient temperature drives the front chassis fan and rear chassis fan connected to PWM2 and PWM3. The front chassis fan is configured to run at  $PWM_{MIN} = 20\%$ . The rear chassis fan is configured to run at  $PWM_{MIN} = 30\%$ . The CPU fan is configured to run at  $PWM_{MIN} = 10\%$ .

Note that the control range for 4-wire fans is much wider than that for 3-wire fans. In many cases, 4-wire fans can start with a PWM drive of as little as 20% or less. In extreme cases, some 3-wire fans do not run unless a PWM drive of 60% or more is applied.



**Figure 58.  $T_{RANGE}$  and % Fan Speed Slopes for VRM, Ambient, and CPU Temperature Channels**

**Step 7:  $T_{THERM}$  for Temperature Channels**

$T_{THERM}$  is the absolute maximum temperature allowed on a temperature channel. Above this temperature, a component such as the CPU or VRM might be operating beyond its safe operating limit. When the temperature measured exceeds  $T_{THERM}$ , all fans drive at 100% PWM duty cycle (full speed) to provide critical system cooling.

The fans remain running at 100% until the temperature drops below  $T_{THERM} - \text{hysteresis}$ , where hysteresis is the

number programmed into the hysteresis registers (0x6D and 0x6E). The default hysteresis value is 4°C.

The  $T_{THERM}$  limit should be considered the maximum worst-case operating temperature of the system. Because exceeding any  $T_{THERM}$  limit runs all fans at 100%, it has very negative acoustic effects. Ultimately, this limit should be set up as a fail-safe, and the designer should ensure that it is not exceeded under normal system operating conditions.

Note that  $T_{THERM}$  limits are non-maskable and affect the fan speed no matter how automatic fan control settings are configured. This allows some flexibility because a  $T_{RANGE}$  value can be selected based on its slope, while a hard limit (such as 70°C) can be programmed as  $T_{MAX}$  (the temperature at which the fan reaches full speed) by setting  $T_{THERM}$  to that limit (for example, 70°C).

**Table 44. THERM REGISTERS**

| Register | Description                      | Default      |
|----------|----------------------------------|--------------|
| 0x6A     | Remote 1 THERM Temperature Limit | 0x64 (100°C) |
| 0x6B     | Local THERM Temperature Limit    | 0x64 (100°C) |
| 0x6C     | Remote 2 THERM Temperature Limit | 0x64 (100°C) |

**THERM Hysteresis**

THERM hysteresis on a particular channel is configured via the hysteresis settings in Register 0x6D and Register 0x6E. For example, setting hysteresis on the Remote 1 channel also sets the hysteresis on Remote 1 THERM.

**Hysteresis Registers**

Register 0x6D, Remote 1 and Local Temperature/ $T_{MIN}$  Hysteresis Register

Bits <7:4> (HYSR1), Remote 1 Temperature Hysteresis (4°C default)

Bits <3:0> (HYSL), Local Temperature Hysteresis (4°C default)

Register 0x6E, Remote 2 Temperature  $T_{MIN}$  Hysteresis Register

Bits <7:4> (HYSR2), Remote 2 Temperature Hysteresis (4°C default)

Because each hysteresis setting is four bits, hysteresis values are programmable from 1°C to 15°C. It is not recommended that hysteresis values ever be programmed to 0°C because this disables hysteresis. In effect, this causes the fans to cycle (during a THERM event) between normal speed and 100% speed or, while operating close to  $T_{MIN}$ , between normal speed and off, creating unsettling acoustic noise.

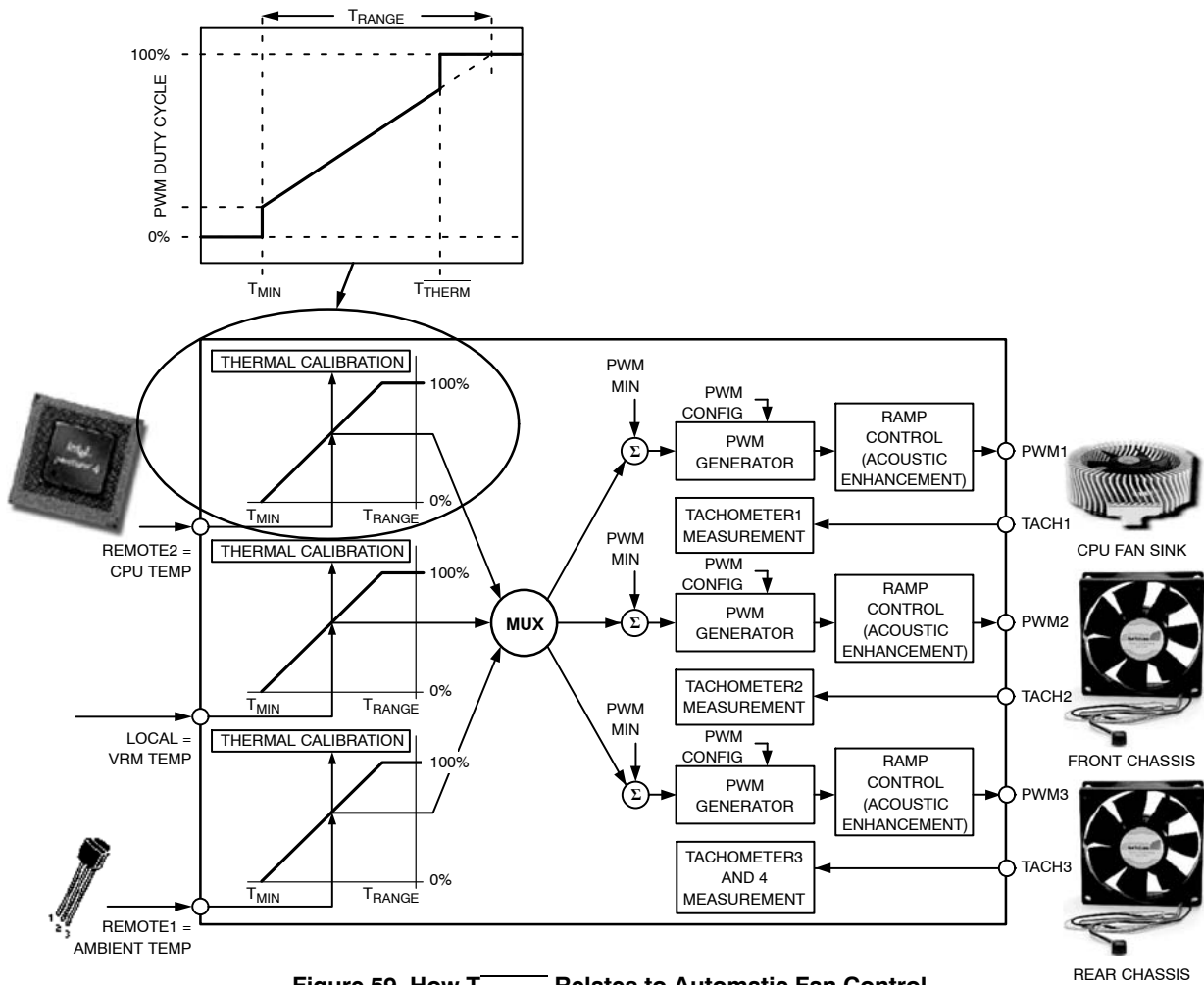


Figure 59. How  $T_{THERM}$  Relates to Automatic Fan Control

**Step 8:  $T_{HYST}$  for Temperature Channels**

$T_{HYST}$  is the amount of extra cooling a fan provides after the temperature measured has dropped back below  $T_{MIN}$  before the fan turns off. The premise for temperature hysteresis ( $T_{HYST}$ ) is that, without it, the fan would merely chatter, or cycle on and off regularly, whenever the temperature is hovering at about the  $T_{MIN}$  setting.

The  $T_{HYST}$  value chosen determines the amount of time needed for the system to cool down or heat up as the fan turns on and off. Values of hysteresis are programmable in the range 1°C to 15°C. Larger values of  $T_{HYST}$  prevent the fans from chattering on and off. The  $T_{HYST}$  default value is set at 4°C.

The  $T_{HYST}$  setting applies not only to the temperature hysteresis for fan on/off, but the same setting is used for the

$T_{THERM}$  hysteresis value, described in Step 6:  $T_{RANGE}$  for Temperature Channels. Therefore, programming Register 0x6D and Register 0x6E sets the hysteresis for both fan on/off and the  $T_{THERM}$  function.

In some applications, it is required that fans not turn off below  $T_{MIN}$  but remain running at  $PWM_{MIN}$ . Bits <7:5> of Enhanced Acoustics Register 1 (0x62) allow the fans to be turned off or to be kept spinning below  $T_{MIN}$ . If the fans are always on, the  $T_{HYST}$  value has no effect on the fan when the temperature drops below  $T_{MIN}$ .

**$T_{THERM}$  Hysteresis**

Any hysteresis programmed via Register 0x6D and Register 0x6E also applies to hysteresis on the appropriate  $T_{THERM}$  channel.

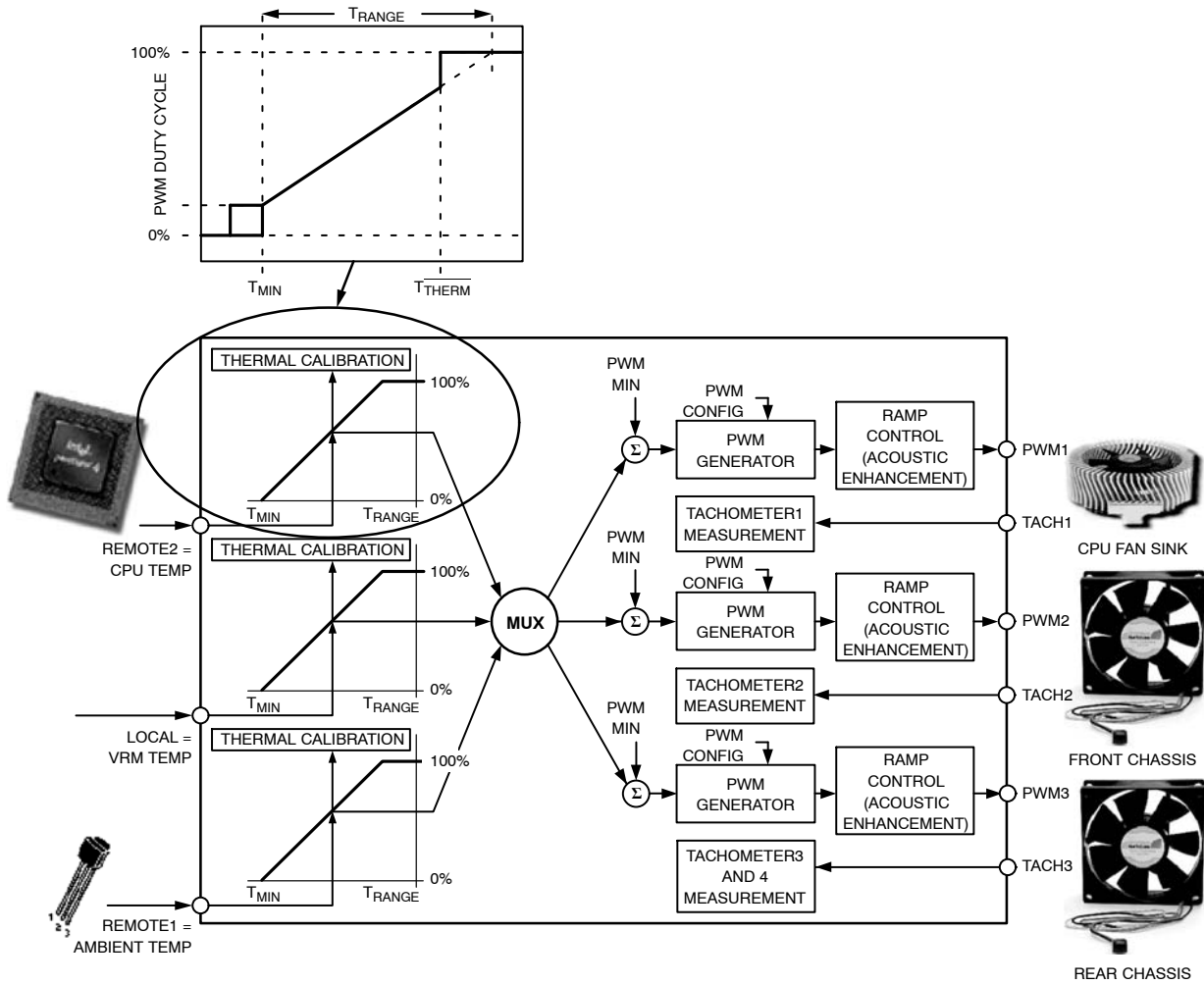


Figure 60. The  $T_{HYST}$  Value Applies to Fan On/Off Hysteresis and  $T_{THERM}$  Hysteresis

**Enhanced Acoustics Register 1 (0x62)**

- Bit 7 (MIN3) = 0, PWM3 is off (0% PWM duty cycle) when temperature is below  $T_{MIN} - T_{HYST}$ .
- Bit 7 (MIN3) = 1, PWM3 runs at PWM3 minimum duty cycle below  $T_{MIN} - T_{HYST}$ .
- Bit 6 (MIN2) = 0, PWM2 is off (0% PWM duty cycle) when temperature is below  $T_{MIN} - T_{HYST}$ .
- Bit 6 (MIN2) = 1, PWM2 runs at PWM2 minimum duty cycle below  $T_{MIN} - T_{HYST}$ .
- Bit 5 (MIN1) = 0, PWM1 is off (0% PWM duty cycle) when temperature is below  $T_{MIN} - T_{HYST}$ .
- Bit 5 (MIN1) = 1, PWM1 runs at PWM1 minimum duty cycle below  $T_{MIN} - T_{HYST}$ .

**Configuration Register 6 (0x10)**

- Bit 0 (SLOW Remote 1), 1 slows the ramp rate for PWM changes associated with the Remote 1 temperature channel by 4.
- Bit 1 (SLOW Local), 1 slows the ramp rate for PWM changes associated with the Local temperature channel by 4.
- Bit 2 (SLOW Remote 2), 1 slows the ramp rate for PWM changes associated with the Remote 2 temperature channel by 4.
- Bit 7 (ExtraSlow), 1 slows the ramp rate for all fans by a factor of 39.2%.

The following sections list the ramp-up times when the SLOW bit is set for each temperature monitoring channel.

## ADT7475

### Enhanced Acoustics Register 1 (0x62)

Bits <2:0> (ACOU1), select the ramp rate for PWM outputs associated with the Remote 1 temperature input.

000 = 37.5 sec  
001 = 18.8 sec  
010 = 12.5 sec  
011 = 7.5 sec  
100 = 4.7 sec  
101 = 3.1 sec  
110 = 1.6 sec  
111 = 0.8 sec

### Enhanced Acoustics Register 2 (0x63)

Bits <2:0> (ACOU3), select the ramp rate for PWM outputs associated with the local temperature channel.

000 = 37.5 sec  
001 = 18.8 sec  
010 = 12.5 sec  
011 = 7.5 sec  
100 = 4.7 sec  
101 = 3.1 sec  
110 = 1.6 sec  
111 = 0.8 sec

Bits <6:4> (ACOU2), select the ramp rate for PWM outputs associated with the Remote 2 temperature input.

000 = 37.5 sec  
001 = 18.8 sec  
010 = 12.5 sec  
011 = 7.5 sec  
100 = 4.7 sec  
101 = 3.1 sec  
110 = 1.6 sec  
111 = 0.8 sec

When Bit 7 of Configuration Register 6 (0x10) = 1, the ramp rates change to the following values:

000 = 52.2 sec  
001 = 26.1 sec  
010 = 17.4 sec  
011 = 10.4 sec  
100 = 6.5 sec  
101 = 4.4 sec  
110 = 2.2 sec  
111 = 1.1 sec

Setting the appropriate SLOW bits <2:0> of Configuration Register 6 (0x10) slows the ramp rate further by a factor of 4.



# ADT7475

## Register Tables

**Table 45. ADT7475 REGISTERS**

| Addr | R/W | Desc                        | Bit 7      | Bit 6                | Bit 5  | Bit 4 | Bit 3           | Bit 2           | Bit 1            | Bit 0         | De-<br>fault | Lock-<br>able |
|------|-----|-----------------------------|------------|----------------------|--------|-------|-----------------|-----------------|------------------|---------------|--------------|---------------|
| 0x10 | R/W | Configuration Register 6    | Extra Slow | V <sub>CCP</sub> Low | RES    | RES   | THERM in Manual | SLOW Remote 2   | SLOW Local       | SLOW Remote 1 | 0x00         | -             |
| 0x11 | R   | Configuration Register 7    | RES        | RES                  | RES    | RES   | RES             | RES             | RES              | Dis THERM Hys | 0x00         | -             |
| 0x21 | R   | V <sub>CCP</sub> Reading    | 9          | 8                    | 7      | 6     | 5               | 4               | 3                | 2             | 0x00         | -             |
| 0x22 | R   | V <sub>CC</sub> Reading     | 9          | 8                    | 7      | 6     | 5               | 4               | 3                | 2             | 0x00         | -             |
| 0x25 | R   | Remote 1 Temp               | 9          | 8                    | 7      | 6     | 5               | 4               | 3                | 2             | 0x80         | -             |
| 0x26 | R   | Local Temp                  | 9          | 8                    | 7      | 6     | 5               | 4               | 3                | 2             | 0x80         | -             |
| 0x27 | R   | Remote 2 Temp               | 9          | 8                    | 7      | 6     | 5               | 4               | 3                | 2             | 0x80         | -             |
| 0x28 | R   | TACH1 Low Byte              | 7          | 6                    | 5      | 4     | 3               | 2               | 1                | 0             | 0x00         | -             |
| 0x29 | R   | TACH1 High Byte             | 15         | 14                   | 13     | 12    | 11              | 10              | 9                | 8             | 0x00         | -             |
| 0x2A | R   | TACH2 Low Byte              | 7          | 6                    | 5      | 4     | 3               | 2               | 1                | 0             | 0x00         | -             |
| 0x2B | R   | TACH2 High Byte             | 15         | 14                   | 13     | 12    | 11              | 10              | 9                | 8             | 0x00         | -             |
| 0x2C | R   | TACH3 Low Byte              | 7          | 6                    | 5      | 4     | 3               | 2               | 1                | 0             | 0x00         | -             |
| 0x2D | R   | TACH3 High Byte             | 15         | 14                   | 13     | 12    | 11              | 10              | 9                | 8             | 0x00         | -             |
| 0x2E | R   | TACH4 Low Byte              | 7          | 6                    | 5      | 4     | 3               | 2               | 1                | 0             | 0x00         | -             |
| 0x2F | R   | TACH4 High Byte             | 15         | 14                   | 13     | 12    | 11              | 10              | 9                | 8             | 0x00         | -             |
| 0x30 | R/W | PWM1 Current Duty Cycle     | 7          | 6                    | 5      | 4     | 3               | 2               | 1                | 0             | 0x00         | -             |
| 0x31 | R/W | PWM2 Current Duty Cycle     | 7          | 6                    | 5      | 4     | 3               | 2               | 1                | 0             | 0x00         | -             |
| 0x32 | R/W | PWM3 Current Duty Cycle     | 7          | 6                    | 5      | 4     | 3               | 2               | 1                | 0             | 0x00         | -             |
| 0x38 | R/W | PWM1 Max Duty Cycle         | 7          | 6                    | 5      | 4     | 3               | 2               | 1                | 0             | 0xFF         | -             |
| 0x39 | R/W | PWM2 Max Duty Cycle         | 7          | 6                    | 5      | 4     | 3               | 2               | 1                | 0             | 0xFF         | -             |
| 0x3A | R/W | PWM3 Max Duty Cycle         | 7          | 6                    | 5      | 4     | 3               | 2               | 1                | 0             | 0xFF         | -             |
| 0x3D | R   | Device ID Reg               | 7          | 6                    | 5      | 4     | 3               | 2               | 1                | 0             | 0x75         | -             |
| 0x3E | R   | Company ID Number           | 7          | 6                    | 5      | 4     | 3               | 2               | 1                | 0             | 0x41         | -             |
| 0x40 | R/W | Config Reg 1                | RES        | TODIS                | FSPDIS | Vx1   | FSPD            | RDY             | LOCK             | STRT          | 0x04         | Yes           |
| 0x41 | R   | Interrupt Status Reg 1      | OOL        | R2T                  | LT     | R1T   | RES             | V <sub>CC</sub> | V <sub>CCP</sub> | RES           | 0x00         | -             |
| 0x42 | R   | Interrupt Status Reg 2      | D2         | D1                   | F4P    | FAN3  | FAN2            | FAN1            | OVT              | RES           | 0x00         | -             |
| 0x46 | R/W | V <sub>CCP</sub> Low Limit  | 7          | 6                    | 5      | 4     | 3               | 2               | 1                | 0             | 0x00         | -             |
| 0x47 | R/W | V <sub>CCP</sub> High Limit | 7          | 6                    | 5      | 4     | 3               | 2               | 1                | 0             | 0xFF         | -             |
| 0x48 | R/W | V <sub>CC</sub> Low Limit   | 7          | 6                    | 5      | 4     | 3               | 2               | 1                | 0             | 0x00         | -             |

# ADT7475

**Table 45. ADT7475 REGISTERS** (continued)

| Addr | R/W | Desc                                   | Bit 7 | Bit 6 | Bit 5 | Bit 4 | Bit 3 | Bit 2 | Bit 1 | Bit 0 | De-<br>fault | Lock-<br>able |
|------|-----|--|-------|-------|-------|-------|-------|-------|-------|-------|--------------|---------------|
| 0x49 | R/W | V <sub>CC</sub> High Limit             | 7     | 6     | 5     | 4     | 3     | 2     | 1     | 0     | 0xFF         | -             |
| 0x4E | R/W | Remote 1 Temp Low Limit                | 7     | 6     | 5     | 4     | 3     | 2     | 1     | 0     | 0x81         | -             |
| 0x4F | R/W | Remote 1 Temp High Limit               | 7     | 6     | 5     | 4     | 3     | 2     | 1     | 0     | 0x7F         | -             |
| 0x50 | R/W | Local Temp Low Limit                   | 7     | 6     | 5     | 4     | 3     | 2     | 1     | 0     | 0x81         | -             |
| 0x51 | R/W | Local Temp High Limit                  | 7     | 6     | 5     | 4     | 3     | 2     | 1     | 0     | 0x7F         | -             |
| 0x52 | R/W | Remote 2 Temp Low Limit                | 7     | 6     | 5     | 4     | 3     | 2     | 1     | 0     | 0x81         | -             |
| 0x53 | R/W | Remote 2 Temp High Limit               | 7     | 6     | 5     | 4     | 3     | 2     | 1     | 0     | 0x7F         | -             |
| 0x54 | R/W | TACH1 Minimum Low Byte                 | 7     | 6     | 5     | 4     | 3     | 2     | 1     | 0     | 0xFF         | -             |
| 0x55 | R/W | TACH1 Min High Byte                    | 15    | 14    | 13    | 12    | 11    | 10    | 9     | 8     | 0xFF         | -             |
| 0x56 | R/W | TACH2 Minimum Low Byte                 | 7     | 6     | 5     | 4     | 3     | 2     | 1     | 0     | 0xFF         | -             |
| 0x57 | R/W | TACH2 Min High Byte                    | 15    | 14    | 13    | 12    | 11    | 10    | 9     | 8     | 0xFF         | -             |
| 0x58 | R/W | TACH3 Minimum Low Byte                 | 7     | 6     | 5     | 4     | 3     | 2     | 1     | 0     | 0xFF         | -             |
| 0x59 | R/W | TACH3 Min High Byte                    | 15    | 14    | 13    | 12    | 11    | 10    | 9     | 8     | 0xFF         | -             |
| 0x5A | R/W | TACH4 Minimum Low Byte                 | 7     | 6     | 5     | 4     | 3     | 2     | 1     | 0     | 0xFF         | -             |
| 0x5B | R/W | TACH4 Min High Byte                    | 15    | 14    | 13    | 12    | 11    | 10    | 9     | 8     | 0xFF         | -             |
| 0x5C | R/W | PWM1 Configuration Register            | BHVR  | BHVR  | BHVR  | INV   | RES   | SPIN  | SPIN  | SPIN  | 0x62         | Yes           |
| 0x5D | R/W | PWM2 Configuration Register            | BHVR  | BHVR  | BHVR  | INV   | RES   | SPIN  | SPIN  | SPIN  | 0x62         | Yes           |
| 0x5E | R/W | PWM3 Config Register                   | BHVR  | BHVR  | BHVR  | INV   | RES   | SPIN  | SPIN  | SPIN  | 0x62         | Yes           |
| 0x5F | R/W | Remote 1 T <sub>RANGE</sub> /PWM1 Freq | RANGE | RANGE | RANGE | RANGE | HF/LF | FREQ  | FREQ  | FREQ  | 0xC4         | Yes           |
| 0x60 | R/W | Local T <sub>RANGE</sub> /PWM2 Freq    | RANGE | RANGE | RANGE | RANGE | HF/LF | FREQ  | FREQ  | FREQ  | 0xC4         | Yes           |
| 0x61 | R/W | Remote 2 T <sub>RANGE</sub> /PWM3 Freq | RANGE | RANGE | RANGE | RANGE | HF/LF | FREQ  | FREQ  | FREQ  | 0xC4         | Yes           |
| 0x62 | R/W | Enhanced Acoustics Reg 1               | MIN3  | MIN2  | MIN1  | SYNC  | EN1   | ACOU1 | ACOU1 | ACOU1 | 0x00         | Yes           |
| 0x63 | R/W | Enhanced Acoustics Reg 2               | EN2   | ACOU2 | ACOU2 | ACOU2 | EN3   | ACOU3 | ACOU3 | ACOU3 | 0x00         | Yes           |
| 0x64 | R/W | PWM1 Min Duty Cycle                    | 7     | 6     | 5     | 4     | 3     | 2     | 1     | 0     | 0x80         | Yes           |

# ADT7475

**Table 45. ADT7475 REGISTERS** (continued)

| Addr | R/W | Desc  | Bit 7                           | Bit 6                | Bit 5                  | Bit 4           | Bit 3              | Bit 2            | Bit 1            | Bit 0        | De-<br>fault | Lock-<br>able |
|------|-----|---|---------------------------------|----------------------|------------------------|-----------------|--------------------|------------------|------------------|--------------|--------------|---------------|
| 0x65 | R/W | PWM2 Min Duty Cycle                                 | 7                               | 6                    | 5                      | 4               | 3                  | 2                | 1                | 0            | 0x80         | Yes           |
| 0x66 | R/W | PWM3 Min Duty Cycle                                 | 7                               | 6                    | 5                      | 4               | 3                  | 2                | 1                | 0            | 0x80         | Yes           |
| 0x67 | R/W | Remote 1 Temp T <sub>MIN</sub>                      | 7                               | 6                    | 5                      | 4               | 3                  | 2                | 1                | 0            | 0x5A         | Yes           |
| 0x68 | R/W | Local Temp T <sub>MIN</sub>                         | 7                               | 6                    | 5                      | 4               | 3                  | 2                | 1                | 0            | 0x5A         | Yes           |
| 0x69 | R/W | Remote 2 Temp T <sub>MIN</sub>                      | 7                               | 6                    | 5                      | 4               | 3                  | 2                | 1                | 0            | 0x5A         | Yes           |
| 0x6A | R/W | Remote 1 THERM Temp Limit                           | 7                               | 6                    | 5                      | 4               | 3                  | 2                | 1                | 0            | 0x64         | Yes           |
| 0x6B | R/W | Local THERM Temp Limit                              | 7                               | 6                    | 5                      | 4               | 3                  | 2                | 1                | 0            | 0x64         | Yes           |
| 0x6C | R/W | Remote 2 THERM Temp Limit                           | 7                               | 6                    | 5                      | 4               | 3                  | 2                | 1                | 0            | 0x64         | Yes           |
| 0x6D | R/W | Remote 1 and Local Temp/T <sub>MIN</sub> Hysteresis | HYSR1                           | HYSR1                | HYSR1                  | HYSR1           | HYSL               | HYSL             | HYSL             | HYSL         | 0x44         | Yes           |
| 0x6E | R/W | Remote 2 Temp/T <sub>MIN</sub> Hysteresis           | HYSR2                           | HYSR2                | HYSR2                  | HYSR2           | RES                | RES              | RES              | RES          | 0x40         | Yes           |
| 0x6F | R/W | XNOR Tree Test Enable                               | RES                             | RES                  | RES                    | RES             | RES                | RES              | RES              | XEN          | 0x00         | Yes           |
| 0x70 | R/W | Remote 1 Temp Offset                                | 7                               | 6                    | 5                      | 4               | 3                  | 2                | 1                | 0            | 0x00         | Yes           |
| 0x71 | R/W | Local Temp Offset                                   | 7                               | 6                    | 5                      | 4               | 3                  | 2                | 1                | 0            | 0x00         | Yes           |
| 0x72 | R/W | Remote 2 Temp Offset                                | 7                               | 6                    | 5                      | 4               | 3                  | 2                | 1                | 0            | 0x00         | Yes           |
| 0x73 | R/W | Config Reg 2  | SHDN                            | CONV                 | ATTN                   | AVG             | RES                | RES              | RES              | RES          | 0x00         | Yes           |
| 0x74 | R/W | Interrupt Mask Reg 1                                | OOL                             | R2T                  | LT                     | R1T             | RES                | V <sub>CC</sub>  | V <sub>CCP</sub> | RES          | 0x00         | -             |
| 0x75 | R/W | Interrupt Mask Reg 2                                | D2                              | D1                   | F4P                    | FAN3            | FAN2               | FAN1             | OVT              | RES          | 0x00         | -             |
| 0x76 | R/W | Extended Res 1                                      | RES                             | RES                  | V <sub>CC</sub>        | V <sub>CC</sub> | V <sub>CCP</sub>   | V <sub>CCP</sub> | RES              | RES          | 0x00         | -             |
| 0x77 | R/W | Extended Res 2                                      | TDM2                            | TDM2                 | LTMP                   | LTMP            | TDM1               | TDM1             | RES              | RES          | 0x00         | -             |
| 0x78 | R/W | Configuration Reg 3                                 | DC4                             | DC3                  | DC2                    | DC1             | FAST               | BOOST            | THERM            | ALERT Enable | 0x00         | Yes           |
| 0x79 | R   | THERM Timer Status Register                         | TMR                             | TMR                  | TMR                    | TMR             | TMR                | TMR              | TMR              | ASRT/TMRO    | 0x00         | -             |
| 0x7A | R/W | THERM Timer Limit Register                          | LIMT                            | LIMT                 | LIMT                   | LIMT            | LIMT               | LIMT             | LIMT             | LIMT         | 0x00         | -             |
| 0x7B | R/W | TACH Pulses per Revolution                          | FAN4                            | FAN4                 | FAN3                   | FAN3            | FAN2               | FAN2             | FAN1             | FAN1         | 0x55         | -             |
| 0x7C | R/W | Configuration Reg 5                                 | R2 THERM O/P Only               | Local THERM O/P Only | R1 THERM O/P Only      | RES             | GPIOP              | GPIOD            | Temp Offset      | TWOS COMPL   | 0x01         | Yes           |
| 0x7D | R/W | Configuration Reg 4                                 | RES                             | RES                  | BpAtt V <sub>CCP</sub> | RES             | Max/ Full on THERM | THERM Disable    | PIN9 FUNC        | PIN9 FUNC    | 0x00         | Yes           |
| 0x7E | R   | Test Reg 1  | DO NOT WRITE TO THESE REGISTERS |                      |                        |                 |                    |                  |                  |              | 0x00         | Yes           |
| 0x7F | R   | Test Reg 2  | DO NOT WRITE TO THESE REGISTERS |                      |                        |                 |                    |                  |                  |              | 0x00         | Yes           |

**Table 46. REGISTER 0X10 – CONFIGURATION REGISTER 6 (POWER-ON DEFAULT = 0X00)** (Notes 1 and 2)

| Bit No. | Mnemonic             | R/W | Description  |
|---------|----------------------|-----|--|
| <0>     | SLOW Remote 1        | R/W | When this bit is set, Fan 1 smoothing times are multiplied x4 for Remote 1 temperature channel (as defined in Register 0x62).  |
| <1>     | SLOW Local           | R/W | When this bit is set, Fan 2 smoothing times are multiplied x4 for local temperature channel (as defined in Register 0x63).   |
| <2>     | SLOW Remote 2        | R/W | When this bit is set, Fan 3 smoothing times are multiplied x4 for Remote 2 temperature channel (as defined in Register 0x63).  |
| <3>     | THERM in Manual      | R/W | When this bit is set, THERM is enabled in manual mode. (Note 1)  |
| <5:4>   | Reserved             | N/A | Reserved. Do not write to these bits.  |
| <6>     | V <sub>CCP</sub> Low | R/W | V <sub>CCP</sub> LO = 1. When the power is supplied from 3.3 V STANDBY and the core voltage (V <sub>CCP</sub> ) drops below its V <sub>CCP</sub> low limit value (Register 0x46), the following occurs:<br>Bit 1 in Interrupt Status Register 1 is set.<br>SMBALERT is generated, if enabled.<br>PROCHOT monitoring is disabled.<br>Everything is re-enabled once V <sub>CCP</sub> increases above the V <sub>CCP</sub> low limit.<br><br>When V <sub>CCP</sub> increases above the low limit:<br>PROCHOT monitoring is enabled.<br>Fans return to their programmed state after a spin-up cycle. |
| <7>     | ExtraSlow            | R/W | When this bit is set, all fan smoothing times are increased by a further 39.2%.  |

1. A THERM event always overrides any fan setting (even when fans are disabled).
2. This register becomes read-only when the Configuration Register 1 Lock bit is set to 1. Any subsequent attempts to write to this register fail.

**Table 47. REGISTER 0X11 – CONFIGURATION REGISTER 7 (POWER-ON DEFAULT = 0X00)** (Note 1)

| Bit No. | Mnemonic      | R/W | Description                                     |
|---------|---------------|-----|---|
| <0>     | Dis THERM Hys | R/W | Setting This Bit to 1 Disables THERM Hysteresis |
| <7:1>   | Reserved      | N/A | Reserved. Do Not Write to These Bits            |

1. This register becomes read-only when the Configuration Register 1 Lock bit is set to 1. Any subsequent attempts to write to this register fail.

**Table 48. VOLTAGE READING REGISTERS (POWER-ON DEFAULT = 0X00)** (Notes 1 and 2)

| Register Address | R/W       | Description  |
|------------------|-----------|--|
| 0x21             | Read-only | Reflects the Voltage Measurement at the V <sub>CCP</sub> Input on Pin 14 (8 MSBs of Reading) |
| 0x22             | Read-only | Reflects the Voltage Measurement at the V <sub>CC</sub> Input on Pin 3 (8 MSBs of Reading)   |

1. If the extended resolution bits of these readings are also read, the extended resolution registers (Reg. 0x76, Reg. 0x77) must be read first. Once the extended resolution registers are read, the associated MSB reading registers are frozen until read. Both the extended resolution registers and the MSB registers are frozen.
2. V<sub>CC</sub> (Pin 3) is the supply voltage for the ADT7475.

**Table 49. TEMPERATURE READING REGISTERS (POWER-ON DEFAULT = 0X80)** (Notes 1 and 2)

| Register Address | R/W       | Description  |
|------------------|-----------|--|
| 0x25             | Read-only | Remote 1 Temperature Reading (8 MSBs of Reading) (Notes 3 and 4) |
| 0x26             | Read-only | Local Temperature Reading (8 MSBs of Reading)                    |
| 0x27             | Read-only | Remote 2 Temperature Reading (8 MSBs of Reading)                 |

1. These temperature readings can be in twos complement or Offset 64 format; this interpretation is determined by Bit 0 of Configuration Register 5 (0x7C).
2. If the extended resolution bits of these readings are also read, the extended resolution registers (0x76 and 0x77) must be read first. Once the extended resolution registers are read, all associated MSB reading registers are frozen until read. Both the extended resolution registers and the MSB registers are frozen.
3. In twos complement mode, a temperature reading of -128°C (0x80) indicates a diode fault (open or short) on that channel.
4. In Offset 64 mode, a temperature reading of -64°C (0x00) indicates a diode fault (open or short) on that channel.

## ADT7475

**Table 50. FAN TACHOMETER READING REGISTERS (POWER-ON DEFAULT = 0X00)** (Note 1)

| Register Address | R/W       | Description     |
|------------------|-----------|-----------------|
| 0x28             | Read-only | TACH1 Low Byte  |
| 0x29             | Read-only | TACH1 High Byte |
| 0x2A             | Read-only | TACH2 Low Byte  |
| 0x2B             | Read-only | TACH2 High Byte |
| 0x2C             | Read-only | TACH3 Low Byte  |
| 0x2D             | Read-only | TACH3 High Byte |
| 0x2E             | Read-only | TACH4 Low Byte  |
| 0x2F             | Read-only | TACH4 High Byte |

1. These registers count the number of 11.11  $\mu$ s periods (based on an internal 90 kHz clock) that occur between a number of consecutive fan TACH pulses (default = 2). The number of TACH pulses used to count can be changed using the TACH pulses per revolution register (0x7B). This allows the fan speed to be accurately measured. Because a valid fan tachometer reading requires that two bytes be read, the low byte must be read first. Both the low and high bytes are then frozen until read. At power-on, these registers contain 0x0000 until the first valid fan TACH measurement is read into these registers. This prevents false interrupts from occurring while the fans are spinning up.

A count of 0xFFFF indicates that a fan is one of the following:

- Stalled or blocked (object jamming the fan).
- Failed (internal circuitry destroyed).
- Not populated. (The ADT7475 expects to see a fan connected to each TACH. If a fan is not connected to that TACH, its TACH minimum high and low bytes should be set to 0xFFFF.)
- Alternate function, for example, TACH4 reconfigured as a THERM pin.).

**Table 51. CURRENT PWM DUTY CYCLE REGISTERS (POWER-ON DEFAULT = 0X00)** (Note 1)

| Register Address | R/W | Description  |
|------------------|-----|--|
| 0x30             | R/W | PWM1 Current Duty Cycle (0% to 100% Duty Cycle = 0x00 to 0xFF) |
| 0x31             | R/W | PWM2 Current Duty Cycle (0% to 100% Duty Cycle = 0x00 to 0xFF) |
| 0x32             | R/W | PWM3 Current Duty Cycle (0% to 100% Duty Cycle = 0x00 to 0xFF) |

1. These registers reflect the PWM duty cycle driving each fan at any given time. When in automatic fan speed control mode, the ADT7475 reports the PWM duty cycles back through these registers. The PWM duty cycle values vary according to temperature in automatic fan speed control mode. During fan startup, these registers report back 0x00. In software mode, the PWM duty cycle outputs can be set to any duty cycle value by writing to these registers.

**Table 52. MAXIMUM PWM DUTY CYCLE REGISTERS (POWER-ON DEFAULT = 0XFF)** (Notes 1 and 2)

| Register Address | R/W | Description   |
|------------------|-----|---|
| 0x38             | R/W | Maximum Duty Cycle for PWM1 Output, Default = 100% (0xFF) |
| 0x39             | R/W | Maximum Duty Cycle for PWM2 Output, Default = 100% (0xFF) |
| 0x3A             | R/W | Maximum Duty Cycle for PWM3 Output, Default = 100% (0xFF) |

1. This register becomes read-only when the Configuration Register 1 Lock bit is set to 1. Any subsequent attempts to write to this register fail.
2. These registers set the maximum PWM duty cycle of the PWM output.

# ADT7475

**Table 53. REGISTER 0X40 – CONFIGURATION REGISTER 1 (POWER-ON DEFAULT = 0X04)**

| Bit No. | Mnemonic             | R/W        | Description  |
|---------|----------------------|------------|--|
| <0>     | STRT<br>(Notes 1, 2) | R/W        | Logic 1 enables monitoring and PWM control outputs based on the limit settings programmed. Logic 0 disables monitoring and PWM control based on the default powerup limit settings. Note that the limit values programmed are preserved even if a Logic 0 is written to this bit and the default settings are enabled. This bit does not become locked once Bit 1 (LOCK) has been set. |
| <1>     | LOCK                 | Write Once | Logic 1 locks all limit values to their current settings. Once this bit is set, all lockable registers become read-only and cannot be modified until the ADT7475 is powered down and powered up again. This prevents rogue programs such as viruses from modifying critical system limit settings. This bit is lockable.   |
| <2>     | RDY                  | Read-only  | This bit is set to 1 by the ADT7475 to indicate only that the device is fully powered up and ready to begin system monitoring.   |
| <3>     | FSPD                 | R/W        | When set to 1, this bit runs all fans at max speed as programmed in the PWM current duty cycle registers (0x30 to 0x32). Power-on default = 0. This bit is not locked at any time.   |
| <4>     | Vx1                  | R/W        | BIOS should set this bit to a 1 when the ADT7475 is configured to measure current from the controller and to measure the CPU's core voltage. This bit allows monitoring software to display CPU watts usage. This bit is lockable.   |
| <5>     | FSPDIS               | R/W        | Logic 1 disables fan spin-up for two TACH pulses. Instead, the PWM outputs go high for the entire fan spin-up timeout selected.  |
| <6>     | TODIS                | R/W        | When this bit is set to 1, the SMBus timeout feature is disabled. This allows the ADT7475 to be used with SMBus controllers that cannot handle SMBus timeouts. This bit is lockable.   |
| <7>     | RES                  |            | Reserved.  |

1. Bit 0 (STRT) of Configuration Register 1 (0x40) remains writable after the lock bit is set.
2. When monitoring is disabled, PWM outputs always go to 100% for thermal protection.

**Table 54. REGISTER 0X41 – INTERRUPT STATUS REGISTER 1 (POWER-ON DEFAULT = 0X00)**

| Bit No. | Mnemonic         | R/W       | Description   |
|---------|------------------|-----------|---|
| <1>     | V <sub>CCP</sub> | Read-only | V <sub>CCP</sub> = 1 indicates that the V <sub>CCP</sub> high or low limit has been exceeded. This bit is cleared on a read of the status register only if the error condition has subsided.  |
| <2>     | V <sub>CC</sub>  | Read-only | V <sub>CC</sub> = 1 indicates that the V <sub>CC</sub> high or low limit has been exceeded. This bit is cleared on a read of the status register only if the error condition has subsided.  |
| <4>     | R1T              | Read-only | R1T = 1 indicates that the Remote 1 low or high temperature has been exceeded. This bit is cleared on a read of the status register only if the error condition has subsided.   |
| <5>     | LT               | Read-only | LT = 1 indicates that the local low or high temperature has been exceeded. This bit is cleared on a read of the status register only if the error condition has subsided.   |
| <6>     | R2T              | Read-only | R2T = 1 indicates that the Remote 2 low or high temperature has been exceeded. This bit is cleared on a read of the status register only if the error condition has subsided.   |
| <7>     | OOL              | Read-only | OOL = 1 indicates that an out-of-limit event has been latched in Interrupt Status Register 2. This bit is a logical OR of all status bits in Interrupt Status Register 2. Software can test this bit in isolation to determine whether any of the voltage, temperature, or fan speed readings represented by Interrupt Status Register 2 are out-of-limit, which saves the need to read Interrupt Status Register 2 every interrupt or polling cycle. |

**Table 55. REGISTER 0X42 – INTERRUPT STATUS REGISTER 2 (POWER-ON DEFAULT = 0X00)**

| Bit No. | Mnemonic | R/W                           | Description  |
|---------|----------|-------------------------------|--|
| <1>     | OVT      | Read-only                     | OVT = 1 indicates that one of the $\overline{\text{THERM}}$ overtemperature limits has been exceeded. This bit is cleared on a read of the status register when the temperature drops below $\overline{\text{THERM}} - T_{\text{HYST}}$ .  |
| <2>     | FAN1     | Read-only                     | FAN1 = 1 indicates that Fan 1 has dropped below minimum speed or has stalled. This bit is not set when the PWM1 output is off.   |
| <3>     | FAN2     | Read-only                     | FAN2 = 1 indicates that Fan 2 has dropped below minimum speed or has stalled. This bit is not set when the PWM2 output is off.   |
| <4>     | FAN3     | Read-only                     | FAN3 = 1 indicates that Fan 3 has dropped below minimum speed or has stalled. This bit is not set when the PWM3 output is off.   |
| <5>     | F4P      | Read-only<br>R/W<br>Read-only | F4P = 1 indicates that Fan 4 has dropped below minimum speed or has stalled. This bit is not set when the PWM3 output is off.<br>When Pin 9 is programmed as a GPIO output, writing to this bit determines the logic output of the GPIO.<br>If Pin 9 is configured as the $\overline{\text{THERM}}$ timer input for $\overline{\text{THERM}}$ monitoring, this bit is set when the $\overline{\text{THERM}}$ assertion time exceeds the limit programmed in the $\overline{\text{THERM}}$ timer limit register (0x7A). |
| <6>     | D1       | Read-only                     | D1 = 1 indicates either an open or short circuit on the Thermal Diode 1 inputs.  |
| <7>     | D2       | Read-only                     | D2 = 1 indicates either an open or short circuit on the Thermal Diode 2 inputs.  |

**Table 56. VOLTAGE LIMIT REGISTERS (Note 1)**

| Register Address | R/W | Description (Note 2)        | Power-On Default |
|------------------|-----|-----------------------------|------------------|
| 0x46             | R/W | $V_{\text{CCP}}$ Low Limit  | 0x00             |
| 0x47             | R/W | $V_{\text{CCP}}$ High Limit | 0xFF             |
| 0x48             | R/W | $V_{\text{CC}}$ Low Limit   | 0x00             |
| 0x49             | R/W | $V_{\text{CC}}$ High Limit  | 0xFF             |

- Setting the Configuration Register 1 Lock bit has no effect on these registers.
- High limits: an interrupt is generated when a value exceeds its high limit (> comparison); low limits: an interrupt is generated when a value is equal to or below its low limit ( $\leq$  comparison).

**Table 57. TEMPERATURE LIMIT REGISTERS (Note 1)**

| Register Address | R/W | Description (Note 2)            | Power-On Default |
|------------------|-----|---------------------------------|------------------|
| 0x4E             | R/W | Remote 1 Temperature Low Limit  | 0x81             |
| 0x4F             | R/W | Remote 1 Temperature High Limit | 0x7F             |
| 0x50             | R/W | Local Temperature Low Limit     | 0x81             |
| 0x51             | R/W | Local Temperature High Limit    | 0x7F             |
| 0x52             | R/W | Remote 2 Temperature Low Limit  | 0x81             |
| 0x53             | R/W | Remote 2 Temperature High Limit | 0x7F             |

- Exceeding any of these temperature limits by 1°C causes the appropriate status bit to be set in the interrupt status register. Setting the Configuration Register 1 Lock bit has no effect on these registers.
- High limits: an interrupt is generated when a value exceeds its high limit (> comparison); low limits: an interrupt is generated when a value is equal to or below its low limit ( $\leq$  comparison).

**Table 58. FAN TACHOMETER LIMIT REGISTERS** (Note 1)

| Register Address | R/W | Description   | Power-On Default |
|------------------|-----|---|------------------|
| 0x54             | R/W | TACH1 Minimum Low Byte                                    | 0xFF             |
| 0x55             | R/W | TACH1 Minimum High Byte/Single-channel ADC Channel Select | 0xFF             |
| 0x56             | R/W | TACH2 Minimum Low Byte                                    | 0xFF             |
| 0x57             | R/W | TACH2 Minimum High Byte                                   | 0xFF             |
| 0x58             | R/W | TACH3 Minimum Low Byte                                    | 0xFF             |
| 0x59             | R/W | TACH3 Minimum High Byte                                   | 0xFF             |
| 0x5A             | R/W | TACH4 Minimum Low Byte                                    | 0xFF             |
| 0x5B             | R/W | TACH4 Minimum High Byte                                   | 0xFF             |

1. Exceeding any of the TACH limit registers by 1 indicates that the fan is running too slowly or has stalled. The appropriate status bit is set in Interrupt Status Register 2 to indicate the fan failure. Setting the Configuration Register 1 Lock bit has no effect on these registers.

**Table 59. REGISTER 0X55 – TACH1 MINIMUM HIGH BYTE (POWER-ON DEFAULT = 0XFF)**

| Bit No. | Mnemonic | R/W       | Description   |
|---------|----------|-----------|---|
| <4:0>   | Reserved | Read-only | These bits are reserved when Bit 6 of Configuration Register 2 (0x73) is set (single-channel ADC mode). Otherwise, these bits represent Bits <4:0> of the TACH1 minimum high byte register.   |
| <7:5>   | SCADC    | R/W       | When Bit 6 of Configuration Register 2 (0x73) is set (single-channel ADC mode), these bits are used to select the only channel from which the ADC makes measurements. Otherwise, these bits represent Bits <7:5> of the TACH1 minimum high byte register. |

**Table 60. PWM CONFIGURATION REGISTERS** (Note 1)

| Register Address | R/W | Description        | Power-On Default |
|------------------|-----|--------------------|------------------|
| 0x5C             | R/W | PWM1 Configuration | 0x62             |
| 0x5D             | R/W | PWM2 Configuration | 0x62             |
| 0x5E             | R/W | PWM3 Configuration | 0x62             |

1. These registers become read-only when the Configuration Register 1 Lock bit is set to 1. Any subsequent attempts to write to these registers fail.

**Table 61. REGISTER 0X05C, REGISTER 0X5D, AND REGISTER 0X5E – PWM CONFIGURATION REGISTERS (POWER-ON DEFAULT = 0X62)**

| Bit No. | Mnemonic | R/W | Description   |
|---------|----------|-----|---|
| <2:0>   | SPIN     | R/W | These bits control the startup timeout for PWMx. The PWM output stays high until two valid TACH rising edges are seen from the fan. If there is not a valid TACH signal during the fan TACH measurement directly after the fan startup timeout period, the TACH measurement reads 0xFFFF and Interrupt Status Register 2 reflects the fan fault. If the TACH minimum high and low bytes contain 0xFFFF or 0x0000, the Interrupt Status Register 2 bit is not set, even if the fan has not started.<br>000 = No Startup Timeout<br>001 = 100 ms<br>010 = 250 ms (Default)<br>011 = 400 ms<br>100 = 667 ms<br>101 = 1 sec<br>110 = 2 sec<br>111 = 4 sec |
| <4>     | INV      | R/W | This bit inverts the PWM output. The default is 0, which corresponds to a logic high output for 100% duty cycle. Setting this bit to 1 inverts the PWM output so that 100% duty cycle corresponds to a logic low output.  |
| <7:5>   | BHVR     | R/W | These bits assign each fan to a particular temperature sensor for localized cooling.<br>000 = Remote 1 temperature controls PWMx (automatic fan control mode).<br>001 = Local temperature controls PWMx (automatic fan control mode).<br>010 = Remote 2 temperature controls PWMx (automatic fan control mode).<br>011 = PWMx runs full speed.<br>100 = PWMx disabled (default).<br>101 = Fastest speed calculated by local and Remote 2 temperature controls PWMx.<br>110 = Fastest speed calculated by all three temperature channel controls PWMx.<br>111 = Manual Mode. PWM duty cycle registers (0x30 to 0x32) become writable.                  |



# ADT7475

**Table 62. TEMP T<sub>RANGE</sub>/PWM FREQUENCY REGISTERS** (Note 1)

| Register Address | R/W | Description                                 | Power-On Default |
|------------------|-----|---|------------------|
| 0x5F             | R/W | Remote 1 T <sub>RANGE</sub> /PWM1 Frequency | 0xC4             |
| 0x60             | R/W | Local T <sub>RANGE</sub> /PWM2 Frequency    | 0xC4             |
| 0x61             | R/W | Remote 2 T <sub>RANGE</sub> /PWM3 Frequency | 0xC4             |

1. These registers become read-only when the Configuration Register 1 Lock bit is set. Any subsequent attempts to write to these registers fail.

**Table 63. REGISTER 0X05F, REGISTER 0X60, AND REGISTER 0X61 – TEMP T<sub>RANGE</sub>/PWM FREQUENCY REGISTERS (POWER-ON DEFAULT = 0XC4)**

| Bit No. | Mnemonic | R/W | Description  |
|---------|----------|-----|--|
| <2:0>   | FREQ     | R/W | These bits control the PWMx frequency.<br>000 = 11.0 Hz<br>001 = 14.7 Hz<br>010 = 22.1 Hz<br>011 = 29.4 Hz<br>100 = 35.3 Hz (Default)<br>101 = 44.1 Hz<br>110 = 58.8 Hz<br>111 = 88.2 Hz   |
| <3>     | HF/LF    | R/W | HF/LF = 1, enables high frequency PWM output for 4-wire fans. Once enabled, 3-wire fan specific settings have no effect (this means, pulse stretching).  |
| <7:4>   | RANGE    | R/W | These bits determine the PWM duty cycle vs. the temperature slope for automatic fan control.<br>0000 = 2°C<br>0001 = 2.5°C<br>0010 = 3.33°C<br>0011 = 4°C<br>0100 = 5°C<br>0101 = 6.67°C<br>0110 = 8°C<br>0111 = 10°C<br>1000 = 13.33°C<br>1001 = 16°C<br>1010 = 20°C<br>1011 = 26.67°C<br>1100 = 32°C (Default)<br>1101 = 40°C<br>1110 = 53.33°C<br>1111 = 80°C |

# ADT7475

**Table 64. REGISTER 0X62 – ENHANCED ACOUSTICS REGISTER 1 (POWER-ON DEFAULT = 0X00)** (Note 1)

| Bit No.            | Mnemonic            | R/W | Description  |                    |                     |         |          |         |          |         |          |         |         |         |         |          |         |          |         |          |         |                    |                     |         |          |         |          |         |          |         |          |         |         |          |         |          |         |          |         |
|--------------------|---------------------|-----|--|--------------------|---------------------|---------|----------|---------|----------|---------|----------|---------|---------|---------|---------|----------|---------|----------|---------|----------|---------|--------------------|---------------------|---------|----------|---------|----------|---------|----------|---------|----------|---------|---------|----------|---------|----------|---------|----------|---------|
| <2:0>              | ACOU1               | R/W | <p>Assuming that PWMx is associated with the Remote 1 temperature channel, these bits define the maximum rate of change of the PWMx output for Remote 1 temperature related changes. Instead of the fan speed jumping instantaneously to its newly determined speed, it ramps gracefully at the rate determined by these bits. This feature ultimately enhances the acoustics of the fan.</p> <p><b>When Bit 7 of Configuration Register 6 (0x10) is 0</b></p> <table style="width: 100%; border-collapse: collapse;"> <thead> <tr> <th style="text-align: left;">Time Slot Increase</th> <th style="text-align: left;">Time for 0% to 100%</th> </tr> </thead> <tbody> <tr><td>000 = 1</td><td>37.5 sec</td></tr> <tr><td>001 = 2</td><td>18.8 sec</td></tr> <tr><td>010 = 3</td><td>12.5 sec</td></tr> <tr><td>011 = 4</td><td>7.5 sec</td></tr> <tr><td>100 = 8</td><td>4.7 sec</td></tr> <tr><td>101 = 12</td><td>3.1 sec</td></tr> <tr><td>110 = 24</td><td>1.6 sec</td></tr> <tr><td>111 = 48</td><td>0.8 sec</td></tr> </tbody> </table> <p><b>When Bit 7 of Configuration Register 6 (0x10) is 1</b></p> <table style="width: 100%; border-collapse: collapse;"> <thead> <tr> <th style="text-align: left;">Time Slot Increase</th> <th style="text-align: left;">Time for 0% to 100%</th> </tr> </thead> <tbody> <tr><td>000 = 1</td><td>52.2 sec</td></tr> <tr><td>001 = 2</td><td>26.1 sec</td></tr> <tr><td>010 = 3</td><td>17.4 sec</td></tr> <tr><td>011 = 4</td><td>10.4 sec</td></tr> <tr><td>100 = 8</td><td>6.5 sec</td></tr> <tr><td>101 = 12</td><td>4.4 sec</td></tr> <tr><td>110 = 24</td><td>2.2 sec</td></tr> <tr><td>111 = 48</td><td>1.1 sec</td></tr> </tbody> </table> | Time Slot Increase | Time for 0% to 100% | 000 = 1 | 37.5 sec | 001 = 2 | 18.8 sec | 010 = 3 | 12.5 sec | 011 = 4 | 7.5 sec | 100 = 8 | 4.7 sec | 101 = 12 | 3.1 sec | 110 = 24 | 1.6 sec | 111 = 48 | 0.8 sec | Time Slot Increase | Time for 0% to 100% | 000 = 1 | 52.2 sec | 001 = 2 | 26.1 sec | 010 = 3 | 17.4 sec | 011 = 4 | 10.4 sec | 100 = 8 | 6.5 sec | 101 = 12 | 4.4 sec | 110 = 24 | 2.2 sec | 111 = 48 | 1.1 sec |
| Time Slot Increase | Time for 0% to 100% |     |  |                    |                     |         |          |         |          |         |          |         |         |         |         |          |         |          |         |          |         |                    |                     |         |          |         |          |         |          |         |          |         |         |          |         |          |         |          |         |
| 000 = 1            | 37.5 sec            |     |  |                    |                     |         |          |         |          |         |          |         |         |         |         |          |         |          |         |          |         |                    |                     |         |          |         |          |         |          |         |          |         |         |          |         |          |         |          |         |
| 001 = 2            | 18.8 sec            |     |  |                    |                     |         |          |         |          |         |          |         |         |         |         |          |         |          |         |          |         |                    |                     |         |          |         |          |         |          |         |          |         |         |          |         |          |         |          |         |
| 010 = 3            | 12.5 sec            |     |  |                    |                     |         |          |         |          |         |          |         |         |         |         |          |         |          |         |          |         |                    |                     |         |          |         |          |         |          |         |          |         |         |          |         |          |         |          |         |
| 011 = 4            | 7.5 sec             |     |  |                    |                     |         |          |         |          |         |          |         |         |         |         |          |         |          |         |          |         |                    |                     |         |          |         |          |         |          |         |          |         |         |          |         |          |         |          |         |
| 100 = 8            | 4.7 sec             |     |  |                    |                     |         |          |         |          |         |          |         |         |         |         |          |         |          |         |          |         |                    |                     |         |          |         |          |         |          |         |          |         |         |          |         |          |         |          |         |
| 101 = 12           | 3.1 sec             |     |  |                    |                     |         |          |         |          |         |          |         |         |         |         |          |         |          |         |          |         |                    |                     |         |          |         |          |         |          |         |          |         |         |          |         |          |         |          |         |
| 110 = 24           | 1.6 sec             |     |  |                    |                     |         |          |         |          |         |          |         |         |         |         |          |         |          |         |          |         |                    |                     |         |          |         |          |         |          |         |          |         |         |          |         |          |         |          |         |
| 111 = 48           | 0.8 sec             |     |  |                    |                     |         |          |         |          |         |          |         |         |         |         |          |         |          |         |          |         |                    |                     |         |          |         |          |         |          |         |          |         |         |          |         |          |         |          |         |
| Time Slot Increase | Time for 0% to 100% |     |  |                    |                     |         |          |         |          |         |          |         |         |         |         |          |         |          |         |          |         |                    |                     |         |          |         |          |         |          |         |          |         |         |          |         |          |         |          |         |
| 000 = 1            | 52.2 sec            |     |  |                    |                     |         |          |         |          |         |          |         |         |         |         |          |         |          |         |          |         |                    |                     |         |          |         |          |         |          |         |          |         |         |          |         |          |         |          |         |
| 001 = 2            | 26.1 sec            |     |  |                    |                     |         |          |         |          |         |          |         |         |         |         |          |         |          |         |          |         |                    |                     |         |          |         |          |         |          |         |          |         |         |          |         |          |         |          |         |
| 010 = 3            | 17.4 sec            |     |  |                    |                     |         |          |         |          |         |          |         |         |         |         |          |         |          |         |          |         |                    |                     |         |          |         |          |         |          |         |          |         |         |          |         |          |         |          |         |
| 011 = 4            | 10.4 sec            |     |  |                    |                     |         |          |         |          |         |          |         |         |         |         |          |         |          |         |          |         |                    |                     |         |          |         |          |         |          |         |          |         |         |          |         |          |         |          |         |
| 100 = 8            | 6.5 sec             |     |  |                    |                     |         |          |         |          |         |          |         |         |         |         |          |         |          |         |          |         |                    |                     |         |          |         |          |         |          |         |          |         |         |          |         |          |         |          |         |
| 101 = 12           | 4.4 sec             |     |  |                    |                     |         |          |         |          |         |          |         |         |         |         |          |         |          |         |          |         |                    |                     |         |          |         |          |         |          |         |          |         |         |          |         |          |         |          |         |
| 110 = 24           | 2.2 sec             |     |  |                    |                     |         |          |         |          |         |          |         |         |         |         |          |         |          |         |          |         |                    |                     |         |          |         |          |         |          |         |          |         |         |          |         |          |         |          |         |
| 111 = 48           | 1.1 sec             |     |  |                    |                     |         |          |         |          |         |          |         |         |         |         |          |         |          |         |          |         |                    |                     |         |          |         |          |         |          |         |          |         |         |          |         |          |         |          |         |
| <3>                | EN1                 | R/W | When this bit is 1, smoothing is enabled on the Remote 1 temperature channel.  |                    |                     |         |          |         |          |         |          |         |         |         |         |          |         |          |         |          |         |                    |                     |         |          |         |          |         |          |         |          |         |         |          |         |          |         |          |         |
| <4>                | SYNC                | R/W | SYNC = 1 synchronizes fan speed measurements on TACH2, TACH3, and TACH4 to PWM3. This allows up to three fans to be driven from PWM3 output and their speeds to be measured. SYNC = 0 synchronizes only TACH3 and TACH4 to PWM3 output.  |                    |                     |         |          |         |          |         |          |         |         |         |         |          |         |          |         |          |         |                    |                     |         |          |         |          |         |          |         |          |         |         |          |         |          |         |          |         |
| <5>                | MIN1                | R/W | When the ADT7475 is in automatic fan control mode, this bit defines whether PWM1 is off (0% duty cycle) or at PWM1 minimum duty cycle when the controlling temperature is below its $T_{MIN}$ – hysteresis value.<br>0 = 0% duty cycle below $T_{MIN}$ – hysteresis.<br>1 = PWM1 minimum duty cycle below $T_{MIN}$ – hysteresis.  |                    |                     |         |          |         |          |         |          |         |         |         |         |          |         |          |         |          |         |                    |                     |         |          |         |          |         |          |         |          |         |         |          |         |          |         |          |         |
| <6>                | MIN2                | R/W | When the ADT7475 is in automatic fan speed control mode, this bit defines whether PWM2 is off (0% duty cycle) or at PWM2 minimum duty cycle when the controlling temperature is below its $T_{MIN}$ – hysteresis value.<br>0 = 0% duty cycle below $T_{MIN}$ – hysteresis.<br>1 = PWM 2 minimum duty cycle below $T_{MIN}$ – hysteresis.   |                    |                     |         |          |         |          |         |          |         |         |         |         |          |         |          |         |          |         |                    |                     |         |          |         |          |         |          |         |          |         |         |          |         |          |         |          |         |
| <7>                | MIN3                | R/W | When the ADT7475 is in automatic fan speed control mode, this bit defines whether PWM3 is off (0% duty cycle) or at PWM3 minimum duty cycle when the controlling temperature is below its $T_{MIN}$ – hysteresis value.<br>0 = 0% duty cycle below $T_{MIN}$ – hysteresis.<br>1 = PWM3 minimum duty cycle below $T_{MIN}$ – hysteresis.  |                    |                     |         |          |         |          |         |          |         |         |         |         |          |         |          |         |          |         |                    |                     |         |          |         |          |         |          |         |          |         |         |          |         |          |         |          |         |

1. This register becomes read-only when the Configuration Register 1 Lock bit is set to 1. Any subsequent attempts to write to this register fail.

# ADT7475

**Table 65. REGISTER 0X63 – ENHANCED ACOUSTICS REGISTER 2 (POWER-ON DEFAULT = 0X00)** (Note 1)

| Bit No.                   | Mnemonic                   | R/W | Description  |                           |                            |         |          |         |          |         |          |         |         |         |         |          |         |          |         |          |         |                           |                            |         |          |         |          |         |          |         |          |         |         |          |         |          |         |          |         |
|---------------------------|----------------------------|-----|--|---------------------------|----------------------------|---------|----------|---------|----------|---------|----------|---------|---------|---------|---------|----------|---------|----------|---------|----------|---------|---------------------------|----------------------------|---------|----------|---------|----------|---------|----------|---------|----------|---------|---------|----------|---------|----------|---------|----------|---------|
| <2:0>                     | ACOU3                      | R/W | <p>Assuming that PWMx is associated with the local temperature channel, these bits define the maximum rate of change of the PWMx output for local temperature related changes. Instead of the fan speed jumping instantaneously to its newly determined speed, it ramps gracefully at the rate determined by these bits. This feature ultimately enhances the acoustics of the fan.</p> <p><b>When Bit 7 of Configuration Register 6 (0x10) is 0</b></p> <table border="0"> <tr> <td><b>Time Slot Increase</b></td> <td><b>Time for 0% to 100%</b></td> </tr> <tr> <td>000 = 1</td> <td>37.5 sec</td> </tr> <tr> <td>001 = 2</td> <td>18.8 sec</td> </tr> <tr> <td>010 = 3</td> <td>12.5 sec</td> </tr> <tr> <td>011 = 4</td> <td>7.5 sec</td> </tr> <tr> <td>100 = 8</td> <td>4.7 sec</td> </tr> <tr> <td>101 = 12</td> <td>3.1 sec</td> </tr> <tr> <td>110 = 24</td> <td>1.6 sec</td> </tr> <tr> <td>111 = 48</td> <td>0.8 sec</td> </tr> </table> <p><b>When Bit 7 of Configuration Register 6 (0x10) is 1</b></p> <table border="0"> <tr> <td><b>Time Slot Increase</b></td> <td><b>Time for 0% to 100%</b></td> </tr> <tr> <td>000 = 1</td> <td>52.2 sec</td> </tr> <tr> <td>001 = 2</td> <td>26.1 sec</td> </tr> <tr> <td>010 = 3</td> <td>17.4 sec</td> </tr> <tr> <td>011 = 4</td> <td>10.4 sec</td> </tr> <tr> <td>100 = 8</td> <td>6.5 sec</td> </tr> <tr> <td>101 = 12</td> <td>4.4 sec</td> </tr> <tr> <td>110 = 24</td> <td>2.2 sec</td> </tr> <tr> <td>111 = 48</td> <td>1.1 sec</td> </tr> </table>       | <b>Time Slot Increase</b> | <b>Time for 0% to 100%</b> | 000 = 1 | 37.5 sec | 001 = 2 | 18.8 sec | 010 = 3 | 12.5 sec | 011 = 4 | 7.5 sec | 100 = 8 | 4.7 sec | 101 = 12 | 3.1 sec | 110 = 24 | 1.6 sec | 111 = 48 | 0.8 sec | <b>Time Slot Increase</b> | <b>Time for 0% to 100%</b> | 000 = 1 | 52.2 sec | 001 = 2 | 26.1 sec | 010 = 3 | 17.4 sec | 011 = 4 | 10.4 sec | 100 = 8 | 6.5 sec | 101 = 12 | 4.4 sec | 110 = 24 | 2.2 sec | 111 = 48 | 1.1 sec |
| <b>Time Slot Increase</b> | <b>Time for 0% to 100%</b> |     |  |                           |                            |         |          |         |          |         |          |         |         |         |         |          |         |          |         |          |         |                           |                            |         |          |         |          |         |          |         |          |         |         |          |         |          |         |          |         |
| 000 = 1                   | 37.5 sec                   |     |  |                           |                            |         |          |         |          |         |          |         |         |         |         |          |         |          |         |          |         |                           |                            |         |          |         |          |         |          |         |          |         |         |          |         |          |         |          |         |
| 001 = 2                   | 18.8 sec                   |     |  |                           |                            |         |          |         |          |         |          |         |         |         |         |          |         |          |         |          |         |                           |                            |         |          |         |          |         |          |         |          |         |         |          |         |          |         |          |         |
| 010 = 3                   | 12.5 sec                   |     |  |                           |                            |         |          |         |          |         |          |         |         |         |         |          |         |          |         |          |         |                           |                            |         |          |         |          |         |          |         |          |         |         |          |         |          |         |          |         |
| 011 = 4                   | 7.5 sec                    |     |  |                           |                            |         |          |         |          |         |          |         |         |         |         |          |         |          |         |          |         |                           |                            |         |          |         |          |         |          |         |          |         |         |          |         |          |         |          |         |
| 100 = 8                   | 4.7 sec                    |     |  |                           |                            |         |          |         |          |         |          |         |         |         |         |          |         |          |         |          |         |                           |                            |         |          |         |          |         |          |         |          |         |         |          |         |          |         |          |         |
| 101 = 12                  | 3.1 sec                    |     |  |                           |                            |         |          |         |          |         |          |         |         |         |         |          |         |          |         |          |         |                           |                            |         |          |         |          |         |          |         |          |         |         |          |         |          |         |          |         |
| 110 = 24                  | 1.6 sec                    |     |  |                           |                            |         |          |         |          |         |          |         |         |         |         |          |         |          |         |          |         |                           |                            |         |          |         |          |         |          |         |          |         |         |          |         |          |         |          |         |
| 111 = 48                  | 0.8 sec                    |     |  |                           |                            |         |          |         |          |         |          |         |         |         |         |          |         |          |         |          |         |                           |                            |         |          |         |          |         |          |         |          |         |         |          |         |          |         |          |         |
| <b>Time Slot Increase</b> | <b>Time for 0% to 100%</b> |     |  |                           |                            |         |          |         |          |         |          |         |         |         |         |          |         |          |         |          |         |                           |                            |         |          |         |          |         |          |         |          |         |         |          |         |          |         |          |         |
| 000 = 1                   | 52.2 sec                   |     |  |                           |                            |         |          |         |          |         |          |         |         |         |         |          |         |          |         |          |         |                           |                            |         |          |         |          |         |          |         |          |         |         |          |         |          |         |          |         |
| 001 = 2                   | 26.1 sec                   |     |  |                           |                            |         |          |         |          |         |          |         |         |         |         |          |         |          |         |          |         |                           |                            |         |          |         |          |         |          |         |          |         |         |          |         |          |         |          |         |
| 010 = 3                   | 17.4 sec                   |     |  |                           |                            |         |          |         |          |         |          |         |         |         |         |          |         |          |         |          |         |                           |                            |         |          |         |          |         |          |         |          |         |         |          |         |          |         |          |         |
| 011 = 4                   | 10.4 sec                   |     |  |                           |                            |         |          |         |          |         |          |         |         |         |         |          |         |          |         |          |         |                           |                            |         |          |         |          |         |          |         |          |         |         |          |         |          |         |          |         |
| 100 = 8                   | 6.5 sec                    |     |  |                           |                            |         |          |         |          |         |          |         |         |         |         |          |         |          |         |          |         |                           |                            |         |          |         |          |         |          |         |          |         |         |          |         |          |         |          |         |
| 101 = 12                  | 4.4 sec                    |     |  |                           |                            |         |          |         |          |         |          |         |         |         |         |          |         |          |         |          |         |                           |                            |         |          |         |          |         |          |         |          |         |         |          |         |          |         |          |         |
| 110 = 24                  | 2.2 sec                    |     |  |                           |                            |         |          |         |          |         |          |         |         |         |         |          |         |          |         |          |         |                           |                            |         |          |         |          |         |          |         |          |         |         |          |         |          |         |          |         |
| 111 = 48                  | 1.1 sec                    |     |  |                           |                            |         |          |         |          |         |          |         |         |         |         |          |         |          |         |          |         |                           |                            |         |          |         |          |         |          |         |          |         |         |          |         |          |         |          |         |
| <3>                       | EN3                        | R/W | When this bit is 1, smoothing is enabled on the Local temperature channel.   |                           |                            |         |          |         |          |         |          |         |         |         |         |          |         |          |         |          |         |                           |                            |         |          |         |          |         |          |         |          |         |         |          |         |          |         |          |         |
| <6:4>                     | ACOU2                      | R/W | <p>Assuming that PWMx is associated with the Remote 2 temperature channel, these bits define the maximum rate of change of the PWMx output for Remote 2 temperature related changes. Instead of the fan speed jumping instantaneously to its newly determined speed, it ramps gracefully at the rate determined by these bits. This feature ultimately enhances the acoustics of the fan.</p> <p><b>When Bit 7 of Configuration Register 6 (0x10) is 0</b></p> <table border="0"> <tr> <td><b>Time Slot Increase</b></td> <td><b>Time for 0% to 100%</b></td> </tr> <tr> <td>000 = 1</td> <td>37.5 sec</td> </tr> <tr> <td>001 = 2</td> <td>18.8 sec</td> </tr> <tr> <td>010 = 3</td> <td>12.5 sec</td> </tr> <tr> <td>011 = 4</td> <td>7.5 sec</td> </tr> <tr> <td>100 = 8</td> <td>4.7 sec</td> </tr> <tr> <td>101 = 12</td> <td>3.1 sec</td> </tr> <tr> <td>110 = 24</td> <td>1.6 sec</td> </tr> <tr> <td>111 = 48</td> <td>0.8 sec</td> </tr> </table> <p><b>When Bit 7 of Configuration Register 6 (0x10) is 1</b></p> <table border="0"> <tr> <td><b>Time Slot Increase</b></td> <td><b>Time for 0% to 100%</b></td> </tr> <tr> <td>000 = 1</td> <td>52.2 sec</td> </tr> <tr> <td>001 = 2</td> <td>26.1 sec</td> </tr> <tr> <td>010 = 3</td> <td>17.4 sec</td> </tr> <tr> <td>011 = 4</td> <td>10.4 sec</td> </tr> <tr> <td>100 = 8</td> <td>6.5 sec</td> </tr> <tr> <td>101 = 12</td> <td>4.4 sec</td> </tr> <tr> <td>110 = 24</td> <td>2.2 sec</td> </tr> <tr> <td>111 = 48</td> <td>1.1 sec</td> </tr> </table> | <b>Time Slot Increase</b> | <b>Time for 0% to 100%</b> | 000 = 1 | 37.5 sec | 001 = 2 | 18.8 sec | 010 = 3 | 12.5 sec | 011 = 4 | 7.5 sec | 100 = 8 | 4.7 sec | 101 = 12 | 3.1 sec | 110 = 24 | 1.6 sec | 111 = 48 | 0.8 sec | <b>Time Slot Increase</b> | <b>Time for 0% to 100%</b> | 000 = 1 | 52.2 sec | 001 = 2 | 26.1 sec | 010 = 3 | 17.4 sec | 011 = 4 | 10.4 sec | 100 = 8 | 6.5 sec | 101 = 12 | 4.4 sec | 110 = 24 | 2.2 sec | 111 = 48 | 1.1 sec |
| <b>Time Slot Increase</b> | <b>Time for 0% to 100%</b> |     |  |                           |                            |         |          |         |          |         |          |         |         |         |         |          |         |          |         |          |         |                           |                            |         |          |         |          |         |          |         |          |         |         |          |         |          |         |          |         |
| 000 = 1                   | 37.5 sec                   |     |  |                           |                            |         |          |         |          |         |          |         |         |         |         |          |         |          |         |          |         |                           |                            |         |          |         |          |         |          |         |          |         |         |          |         |          |         |          |         |
| 001 = 2                   | 18.8 sec                   |     |  |                           |                            |         |          |         |          |         |          |         |         |         |         |          |         |          |         |          |         |                           |                            |         |          |         |          |         |          |         |          |         |         |          |         |          |         |          |         |
| 010 = 3                   | 12.5 sec                   |     |  |                           |                            |         |          |         |          |         |          |         |         |         |         |          |         |          |         |          |         |                           |                            |         |          |         |          |         |          |         |          |         |         |          |         |          |         |          |         |
| 011 = 4                   | 7.5 sec                    |     |  |                           |                            |         |          |         |          |         |          |         |         |         |         |          |         |          |         |          |         |                           |                            |         |          |         |          |         |          |         |          |         |         |          |         |          |         |          |         |
| 100 = 8                   | 4.7 sec                    |     |  |                           |                            |         |          |         |          |         |          |         |         |         |         |          |         |          |         |          |         |                           |                            |         |          |         |          |         |          |         |          |         |         |          |         |          |         |          |         |
| 101 = 12                  | 3.1 sec                    |     |  |                           |                            |         |          |         |          |         |          |         |         |         |         |          |         |          |         |          |         |                           |                            |         |          |         |          |         |          |         |          |         |         |          |         |          |         |          |         |
| 110 = 24                  | 1.6 sec                    |     |  |                           |                            |         |          |         |          |         |          |         |         |         |         |          |         |          |         |          |         |                           |                            |         |          |         |          |         |          |         |          |         |         |          |         |          |         |          |         |
| 111 = 48                  | 0.8 sec                    |     |  |                           |                            |         |          |         |          |         |          |         |         |         |         |          |         |          |         |          |         |                           |                            |         |          |         |          |         |          |         |          |         |         |          |         |          |         |          |         |
| <b>Time Slot Increase</b> | <b>Time for 0% to 100%</b> |     |  |                           |                            |         |          |         |          |         |          |         |         |         |         |          |         |          |         |          |         |                           |                            |         |          |         |          |         |          |         |          |         |         |          |         |          |         |          |         |
| 000 = 1                   | 52.2 sec                   |     |  |                           |                            |         |          |         |          |         |          |         |         |         |         |          |         |          |         |          |         |                           |                            |         |          |         |          |         |          |         |          |         |         |          |         |          |         |          |         |
| 001 = 2                   | 26.1 sec                   |     |  |                           |                            |         |          |         |          |         |          |         |         |         |         |          |         |          |         |          |         |                           |                            |         |          |         |          |         |          |         |          |         |         |          |         |          |         |          |         |
| 010 = 3                   | 17.4 sec                   |     |  |                           |                            |         |          |         |          |         |          |         |         |         |         |          |         |          |         |          |         |                           |                            |         |          |         |          |         |          |         |          |         |         |          |         |          |         |          |         |
| 011 = 4                   | 10.4 sec                   |     |  |                           |                            |         |          |         |          |         |          |         |         |         |         |          |         |          |         |          |         |                           |                            |         |          |         |          |         |          |         |          |         |         |          |         |          |         |          |         |
| 100 = 8                   | 6.5 sec                    |     |  |                           |                            |         |          |         |          |         |          |         |         |         |         |          |         |          |         |          |         |                           |                            |         |          |         |          |         |          |         |          |         |         |          |         |          |         |          |         |
| 101 = 12                  | 4.4 sec                    |     |  |                           |                            |         |          |         |          |         |          |         |         |         |         |          |         |          |         |          |         |                           |                            |         |          |         |          |         |          |         |          |         |         |          |         |          |         |          |         |
| 110 = 24                  | 2.2 sec                    |     |  |                           |                            |         |          |         |          |         |          |         |         |         |         |          |         |          |         |          |         |                           |                            |         |          |         |          |         |          |         |          |         |         |          |         |          |         |          |         |
| 111 = 48                  | 1.1 sec                    |     |  |                           |                            |         |          |         |          |         |          |         |         |         |         |          |         |          |         |          |         |                           |                            |         |          |         |          |         |          |         |          |         |         |          |         |          |         |          |         |
| <7>                       | EN2                        | R/W | When this bit is 1, smoothing is enabled on the Remote 2 temperature channel.  |                           |                            |         |          |         |          |         |          |         |         |         |         |          |         |          |         |          |         |                           |                            |         |          |         |          |         |          |         |          |         |         |          |         |          |         |          |         |

1. This register becomes read-only when the Configuration Register 1 Lock bit is set to 1. Any subsequent attempts to write to this register fail.

**Table 66. PWM MINIMUM DUTY CYCLE REGISTERS** (Note 1)

| Register Address | R/W | Description             | Power-On Default      |
|------------------|-----|-------------------------|-----------------------|
| 0x64             | R/W | PWM1 Minimum Duty Cycle | 0x80 (50% Duty Cycle) |
| 0x65             | R/W | PWM2 Minimum Duty Cycle | 0x80 (50% Duty Cycle) |
| 0x66             | R/W | PWM3 Minimum Duty Cycle | 0x80 (50% Duty Cycle) |

1. These registers become read-only when the ADT7475 is in automatic fan control mode.

**Table 67. REGISTER 0X64, REGISTER 0X65, REGISTER 0X66 – PWM MINIMUM DUTY CYCLE REGISTERS (POWER-ON DEFAULT = 0X80; 50% DUTY CYCLE)**

| Bit No. | Mnemonic       | R/W | Description  |
|---------|----------------|-----|--|
| <7:0>   | PWM Duty Cycle | R/W | These bits define the PWM <sub>MIN</sub> duty cycle for PWMx.<br>0x00 = 0% Duty Cycle (Fan Off)<br>0x40 = 25% Duty Cycle<br>0x80 = 50% Duty Cycle<br>0xFF = 100% Duty Cycle (Fan Full Speed) |

**Table 68. T<sub>MIN</sub> REGISTERS** (Note 1 and 2)

| Register Address | R/W | Description                           | Power-On Default |
|------------------|-----|---------------------------------------|------------------|
| 0x67             | R/W | Remote 1 Temperature T <sub>MIN</sub> | 0x5A (90°C)      |
| 0x68             | R/W | Local Temperature T <sub>MIN</sub>    | 0x5A (90°C)      |
| 0x69             | R/W | Remote 2 Temperature T <sub>MIN</sub> | 0x5A (90°C)      |

1. These are the T<sub>MIN</sub> registers for each temperature channel. When the temperature measured exceeds T<sub>MIN</sub>, the appropriate fan runs at minimum speed and increases with temperature according to T<sub>RANGE</sub>.
2. These registers become read-only when the Configuration Register 1 Lock bit is set. Any subsequent attempts to write to these registers fail.

**Table 69. THERM TEMPERATURE LIMIT REGISTERS** (Note 1)

| Register Address | R/W<br>(Note 2) | Description                      | Power-On Default |
|------------------|-----------------|----------------------------------|------------------|
| 0x6A             | R/W             | Remote 1 THERM Temperature Limit | 0x64 (100°C)     |
| 0x6B             | R/W             | Local THERM Temperature Limit    | 0x64 (100°C)     |
| 0x6C             | R/W             | Remote 2 THERM Temperature Limit | 0x64 (100°C)     |

1. If any temperature measured exceeds its THERM limit, all PWM outputs drive their fans at 100% duty cycle. This is a fail-safe mechanism incorporated to cool the system in the event of a critical overtemperature. It also ensures some level of cooling in the event that software or hardware locks up. If set to 0x80, this feature is disabled. The PWM output remains at 100% until the temperature drops below a THERM Limit – Hysteresis. If the THERM pin is programmed as an output, then exceeding these limits by 0.25°C can cause the THERM pin to assert low as an output.
2. These registers become read-only when the Configuration Register 1 Lock bit is set to 1. Any subsequent attempts to write to these registers fail.

**Table 70. TEMPERATURE/T<sub>MIN</sub> HYSTERESIS REGISTERS** (Note 1)

| Register Address | R/W<br>(Note 2) | Bit Name       | Description   | Power-On Default |
|------------------|-----------------|----------------|---|------------------|
| 0x6D             | R/W             | HYSL<br><3:0>  | Remote 1 and local temperature hysteresis. Local temperature hysteresis. 0°C to 15°C of hysteresis can be applied to the local temperature and AFC loops. | 0x44             |
|                  |                 | HYSR1<br><7:4> | Remote 1 temperature hysteresis. 0°C to 15°C of hysteresis can be applied to the Remote 1 temperature and AFC loops.                                      |                  |
| 0x6E             | R/W             | HYSR2<br><7:4> | Remote 2 temperature hysteresis. Local temperature hysteresis. 0°C to 15°C of hysteresis can be applied to the local temperature and AFC loops.           | 0x40             |

1. Each 4-bit value controls the amount of temperature hysteresis applied to a particular temperature channel. Once the temperature for that channel falls below its T<sub>MIN</sub> value, the fan remains running at PWM<sub>MIN</sub> duty cycle until the temperature = T<sub>MIN</sub> – hysteresis. Up to 15°C of hysteresis can be assigned to any temperature channel. The hysteresis value chosen also applies to that temperature channel, if its THERM limit is exceeded. The PWM output being controlled goes to 100%, if the THERM limit is exceeded and remains at 100% until the temperature drops below THERM – hysteresis. For acoustic reasons, it is recommended that the hysteresis value not be programmed to less than 4°C. Setting the hysteresis value lower than 4°C causes the fan to switch on and off regularly when the temperature is close to T<sub>MIN</sub>.
2. These registers become read-only when the Configuration Register 1 Lock bit is set to 1. Any subsequent attempts to write to these registers fail.

# ADT7475

**Table 71. XNOR TREE TEST ENABLE REGISTER** (Note 1)

| Register Address | R/W | Bit Name  | Description   | Power-On Default |
|------------------|-----|-----------|---|------------------|
| 0x6F             | R/W | XEN <0>   | XNOR tree test enable register.<br>If the XEN bit is set to 1, the device enters the XNOR tree test mode. Clearing the bit removes the device from the XNOR tree test mode. | 0x00             |
|                  |     | RES <7:1> | Unused. Do not write to these bits.   |                  |

1. These registers become read-only when the Configuration Register 1 Lock bit is set to 1. Any subsequent attempts to write to these registers fail.

**Table 72. REMOTE 1 TEMPERATURE OFFSET REGISTER** (Note 1)

| Register Address | R/W | Bit Name | Description  | Power-On Default |
|------------------|-----|----------|--|------------------|
| 0x70             | R/W | <7:0>    | Remote 1 temperature offset.<br>Allows a twos complement offset value to be automatically added to or subtracted from the Remote 1 temperature reading. This is to compensate for any inherent system offsets such as PCB trace resistance. LSB value = 0.5°C. | 0x00             |

1. These registers become read-only when the Configuration Register 1 Lock bit is set to 1. Any subsequent attempts to write to these registers fail.

**Table 73. LOCAL TEMPERATURE OFFSET REGISTER** (Note 1)

| Register Address | R/W | Bit Name | Description  | Power-On Default |
|------------------|-----|----------|--|------------------|
| 0x71             | R/W | <7:0>    | Local temperature offset.<br>Allows a twos complement offset value to be automatically added to or subtracted from the local temperature reading. LSB value = 0.5°C. | 0x00             |

1. These registers become read-only when the Configuration Register 1 Lock bit is set to 1. Any subsequent attempts to write to these registers fail.

**Table 74. REMOTE 2 TEMPERATURE OFFSET REGISTER** (Note 1)

| Register Address | R/W | Bit Name | Description  | Power-On Default |
|------------------|-----|----------|--|------------------|
| 0x72             | R/W | <7:0>    | Remote 2 temperature offset.<br>Allows a twos complement offset value to be automatically added to or subtracted from the Remote 2 temperature reading. This is to compensate for any inherent system offsets such as PCB trace resistance. LSB value = 0.5°C. | 0x00             |

1. These registers become read-only when the Configuration Register 1 Lock bit is set to 1. Any subsequent attempts to write to these registers fail.

# ADT7475

**Table 75. REGISTER 0X73 – CONFIGURATION REGISTER 2 (POWER-ON DEFAULT = 0X00) (Note 1)**

| Bit No. | Mnemonic                | R/W | Description  |     |          |     |                  |     |                         |     |          |     |          |     |                      |     |                   |     |                      |
|---------|-------------------------|-----|--|-----|----------|-----|------------------|-----|-------------------------|-----|----------|-----|----------|-----|----------------------|-----|-------------------|-----|----------------------|
| <0:3>   | RES                     |     | Reserved.  |     |          |     |                  |     |                         |     |          |     |          |     |                      |     |                   |     |                      |
| <4>     | AVG                     | R/W | AVG = 1, averaging on the temperature and voltage measurements is turned off. This allows measurements on each channel to be made much faster.   |     |          |     |                  |     |                         |     |          |     |          |     |                      |     |                   |     |                      |
| <5>     | ATTN                    | R/W | ATTN = 1, the ADT7475 removes the attenuators from the V <sub>CCP</sub> input. The V <sub>CCP</sub> input can be used for other functions such as connecting up external sensors.  |     |          |     |                  |     |                         |     |          |     |          |     |                      |     |                   |     |                      |
| <6>     | CONV                    | R/W | <p>CONV = 1, the ADT7475 is put into a single-channel ADC conversion mode. In this mode, the ADT7475 can be made to read continuously from one input only, for example, Remote 1 temperature. The appropriate ADC channel is selected by writing to Bits &lt;7:5&gt; of TACH1 minimum high byte register (0x55).</p> <p><b>Register 0x55, Bits &lt;7:5&gt;</b></p> <table style="margin-left: 20px;"> <tr><td>000</td><td>Reserved</td></tr> <tr><td>001</td><td>V<sub>CCP</sub></td></tr> <tr><td>010</td><td>V<sub>CC</sub> (3.3 V)</td></tr> <tr><td>011</td><td>Reserved</td></tr> <tr><td>100</td><td>Reserved</td></tr> <tr><td>101</td><td>Remote 1 Temperature</td></tr> <tr><td>110</td><td>Local Temperature</td></tr> <tr><td>111</td><td>Remote 2 Temperature</td></tr> </table> | 000 | Reserved | 001 | V <sub>CCP</sub> | 010 | V <sub>CC</sub> (3.3 V) | 011 | Reserved | 100 | Reserved | 101 | Remote 1 Temperature | 110 | Local Temperature | 111 | Remote 2 Temperature |
| 000     | Reserved                |     |  |     |          |     |                  |     |                         |     |          |     |          |     |                      |     |                   |     |                      |
| 001     | V <sub>CCP</sub>        |     |  |     |          |     |                  |     |                         |     |          |     |          |     |                      |     |                   |     |                      |
| 010     | V <sub>CC</sub> (3.3 V) |     |  |     |          |     |                  |     |                         |     |          |     |          |     |                      |     |                   |     |                      |
| 011     | Reserved                |     |  |     |          |     |                  |     |                         |     |          |     |          |     |                      |     |                   |     |                      |
| 100     | Reserved                |     |  |     |          |     |                  |     |                         |     |          |     |          |     |                      |     |                   |     |                      |
| 101     | Remote 1 Temperature    |     |  |     |          |     |                  |     |                         |     |          |     |          |     |                      |     |                   |     |                      |
| 110     | Local Temperature       |     |  |     |          |     |                  |     |                         |     |          |     |          |     |                      |     |                   |     |                      |
| 111     | Remote 2 Temperature    |     |  |     |          |     |                  |     |                         |     |          |     |          |     |                      |     |                   |     |                      |
| <7>     | SHDN                    | R/W | SHDN = 1, ADT7475 goes into shutdown mode. All PWM outputs assert low (or high depending on state of the INV bit) to switch off all fans. The PWM current duty cycle registers read 0x00 to indicate that the fans are not being driven.   |     |          |     |                  |     |                         |     |          |     |          |     |                      |     |                   |     |                      |

1. These registers become read-only when the Configuration Register 1 Lock bit is set to 1. Any subsequent attempts to write to these registers fail.

**Table 76. REGISTER 0X74 – INTERRUPT MASK REGISTER 1 (POWER-ON DEFAULT <7:0> = 0X00)**

| Bit No. | Mnemonic         | R/W | Description   |
|---------|------------------|-----|---|
| <1>     | V <sub>CCP</sub> | R/W | V <sub>CCP</sub> = 1, masks $\overline{\text{SMBALERT}}$ for out-of-limit conditions on the V <sub>CCP</sub> channel.   |
| <2>     | V <sub>CC</sub>  | R/W | V <sub>CC</sub> = 1, masks $\overline{\text{SMBALERT}}$ for out-of-limit conditions on the V <sub>CC</sub> channel.   |
| <4>     | R1T              | R/W | R1T = 1, masks $\overline{\text{SMBALERT}}$ for out-of-limit conditions on the Remote 1 temperature channel.  |
| <5>     | LT               | R/W | LT = 1, masks $\overline{\text{SMBALERT}}$ for out-of-limit conditions on the local temperature channel.  |
| <6>     | R2T              | R/W | R2T = 1, masks $\overline{\text{SMBALERT}}$ for out-of-limit conditions on the Remote 2 temperature channel.  |
| <7>     | OOL              | R/W | <p>OOL = 0, when one or more alerts are generated in Interrupt Status Register 2, assuming that all the mask bits in the Interrupt Mask Register 2 (0x75) = 1, <math>\overline{\text{SMBALERT}}</math> is still asserted.</p> <p>OOL = 1, when one or more alerts are generated in Interrupt Status Register 2, assuming that all the mask bits in the Interrupt Mask Register 2 (0x75) = 1, <math>\overline{\text{SMBALERT}}</math> is not asserted.</p> |

**Table 77. REGISTER 0X75 – INTERRUPT MASK REGISTER 2 (POWER-ON DEFAULT <7:0> = 0X00)**

| Bit No. | Mnemonic | R/W       | Description  |
|---------|----------|-----------|--|
| <1>     | OVT      | Read-only | OVT = 1, masks $\overline{\text{SMBALERT}}$ for overtemperature $\overline{\text{THERM}}$ conditions.  |
| <2>     | FAN1     | R/W       | FAN1 = 1, masks $\overline{\text{SMBALERT}}$ for a Fan 1 fault.  |
| <3>     | FAN2     | R/W       | FAN2 = 1, masks $\overline{\text{SMBALERT}}$ for a Fan 2 fault.  |
| <4>     | FAN3     | R/W       | FAN3 = 1, masks $\overline{\text{SMBALERT}}$ for a Fan 3 fault.  |
| <5>     | F4P      | R/W       | F4P = 1, masks $\overline{\text{SMBALERT}}$ for a Fan 4 fault. If the TACH4 pin is being used as the $\overline{\text{THERM}}$ input, this bit masks $\overline{\text{SMBALERT}}$ for a $\overline{\text{THERM}}$ timer event. |
| <6>     | D1       | R/W       | D1 = 1, masks $\overline{\text{SMBALERT}}$ for a diode open or short on a Remote 1 channel.  |
| <7>     | D2       | R/W       | D2 = 1, masks $\overline{\text{SMBALERT}}$ for a diode open or short on a Remote 2 channel.  |

**Table 78. REGISTER 0X76 – EXTENDED RESOLUTION REGISTER 1 (Note 1)**

| Bit No. | Mnemonic         | R/W | Description   |
|---------|------------------|-----|---|
| <3:2>   | V <sub>CCP</sub> | R/W | V <sub>CCP</sub> LSBs. Holds the 2 LSBs of the 10-bit V <sub>CCP</sub> measurement. |
| <5:4>   | V <sub>CC</sub>  | R/W | V <sub>CC</sub> LSBs. Holds the 2 LSBs of the 10-bit V <sub>CC</sub> measurement.   |

1. If this register is read, this register and the registers holding the MSB of each reading are frozen until read.

**Table 79. REGISTER 0X77 – EXTENDED RESOLUTION REGISTER 2** (Note 1)

| Bit No. | Mnemonic | R/W | Description   |
|---------|----------|-----|---|
| <3:2>   | TDM1     | R/W | Remote 1 temperature LSBs. Holds the 2 LSBs of the 10-bit Remote 1 temperature measurement. |
| <5:4>   | LTMP     | R/W | Local temperature LSBs. Holds the 2 LSBs of the 10-bit local temperature measurement.       |
| <7:6>   | TDM2     | R/W | Remote 2 temperature LSBs. Holds the 2 LSBs of the 10-bit Remote 2 temperature measurement. |

1. If this register is read, this register and the registers holding the MSB of each reading are frozen until read.

**Table 80. REGISTER 0X78 – CONFIGURATION REGISTER 3 (POWER-ON DEFAULT = 0X00)** (Note 1)

| Bit No. | Mnemonic     | R/W | Description  |
|---------|--------------|-----|--|
| <0>     | ALERT Enable | R/W | ALERT = 1, Pin 5 (PWM2/SMBALERT) is configured as an SMBALERT interrupt output to indicate out-of-limit error conditions.  |
| <1>     | THERM        | R/W | THERM Enable = 1 enables THERM timer monitoring functionality on Pin 9. Also determined by Bit 0 and Bit 1 (PIN9FUNC) of Configuration Register 4. When THERM is asserted, if the fans are running and the boost bit is set, the fans run at full speed. Alternatively, THERM can be programmed so that a timer is triggered to time how long THERM has been asserted. |
| <2>     | BOOST        | R/W | When THERM is an input and BOOST = 1, assertion of THERM causes all fans to run at the maximum programmed duty cycle for fail-safe cooling.  |
| <3>     | FAST         | R/W | FAST = 1, enables fast TACH measurements on all channels. This increases the TACH measurement rate from once per second to once every 250 ms (4x).   |
| <4>     | DC1          | R/W | DC1 = 1, enables TACH measurements to be continuously made on TACH1. Fans must be driven by dc. Setting this bit prevents pulse stretching because it is not required for dc-driven motors.  |
| <5>     | DC2          | R/W | DC2 = 1, enables TACH measurements to be continuously made on TACH2. Fans must be driven by dc. Setting this bit prevents pulse stretching because it is not required for dc-driven motors.  |
| <6>     | DC3          | R/W | DC3 = 1, enables TACH measurements to be continuously made on TACH3. Fans must be driven by dc. Setting this bit prevents pulse stretching because it is not required for dc-driven motors.  |
| <7>     | DC4          | R/W | DC4 = 1, enables TACH measurements to be continuously made on TACH4. Fans must be driven by dc. Setting this bit prevents pulse stretching because it is not required for dc-driven motors.  |

1. These registers become read-only when the Configuration Register 1 Lock bit is set to 1. Any subsequent attempts to write to these registers fail.

**Table 81. REGISTER 0X79 – THERM TIMER STATUS REGISTER (POWER-ON DEFAULT = 0X00)**

| Bit No. | Mnemonic  | R/W       | Description   |
|---------|-----------|-----------|---|
| <0>     | ASRT/TMR0 | Read-only | This bit is set high on the assertion of the THERM input and is cleared on read. If the THERM assertion time exceeds 45.52 ms, this bit is set and becomes the LSB of the 8-bit TMR reading. This allows THERM assertion times from 45.52 ms to 5.82 sec to be reported back with a resolution of 22.76 ms. |
| <7:1>   | TMR       | Read-only | Times how long THERM input is asserted. These seven bits read zero until the THERM assertion time exceeds 45.52 ms.   |

**Table 82. THERM TIMER LIMIT REGISTER (POWER-ON DEFAULT = 0X00)**

| Bit No. | Mnemonic | R/W | Description   |
|---------|----------|-----|---|
| <7:0>   | LIMIT    | R/W | Sets the maximum THERM assertion length allowed before an interrupt is generated. This is an 8-bit limit with a resolution of 22.76 ms allowing THERM assertion limits of 45.52 ms to 5.82 sec to be programmed. If the THERM assertion time exceeds this limit, Bit 5 (F4P) of Interrupt Status Register 2 (0x42) is set. If the limit value is 0x00, an interrupt is generated immediately on the assertion of the THERM input. |

## ADT7475

**Table 83. REGISTER 0X7B – TACH PULSES PER REVOLUTION REGISTER (POWER-ON DEFAULT = 0X55)**

| Bit No. | Mnemonic | R/W | Description   |
|---------|----------|-----|---|
| <1:0>   | FAN1     | R/W | Sets the number of pulses to be counted when measuring Fan 1 speed. Can be used to determine fan pulses per revolution for an unknown fan type.<br>Pulses Counted<br>00 = 1<br>01 = 2 (Default)<br>10 = 3<br>11 = 4 |
| <3:2>   | FAN2     | R/W | Sets the number of pulses to be counted when measuring Fan 2 speed. Can be used to determine fan pulses per revolution for an unknown fan type.<br>Pulses Counted<br>00 = 1<br>01 = 2 (Default)<br>10 = 3<br>11 = 4 |
| <5:4>   | FAN3     | R/W | Sets the number of pulses to be counted when measuring Fan 3 speed. Can be used to determine fan pulses per revolution for an unknown fan type.<br>Pulses Counted<br>00 = 1<br>01 = 2 (Default)<br>10 = 3<br>11 = 4 |
| <7:6>   | FAN4     | R/W | Sets the number of pulses to be counted when measuring Fan 4 speed. Can be used to determine fan pulses per revolution for an unknown fan type.<br>Pulses Counted<br>00 = 1<br>01 = 2 (Default)<br>10 = 3<br>11 = 4 |

**Table 84. REGISTER 0X7C – CONFIGURATION REGISTER 5 (POWER-ON DEFAULT = 0X00) (Note 1)**

| Bit No. | Mnemonic       | R/W | Description  |
|---------|----------------|-----|--|
| <0>     | TWOS<br>COMPL  | R/W | Twos complement = 1, sets the temperature range to twos complement temperature range. Twos complement = 0, changes the temperature range to Offset 64. When this bit is changed, the ADT7475 interprets all relevant temperature register values as defined by this bit.   |
| <1>     | TempOffset     | R/W | TempOffset = 0, sets offset range to –63°C to +64°C with 0.5°C resolution.<br>TempOffset = 1, sets offset range to –63°C to +127°C with 1°C resolution.<br>These settings apply to the 0x70, 0x71, and 0x72 registers (Remote 1, local, and Remote 2 temperature offset registers).  |
| <2>     | GPIOD          | R/W | GPIO direction. When the GPIO function is enabled, this determines whether the GPIO is an input (0) or an output (1).  |
| <3>     | GPIOP          | R/W | GPIO polarity. When the GPIO function is enabled and is programmed as an output, this bit determines whether the GPIO is active low (0) or high (1).   |
| <4>     | RES            |     | Reserved.  |
| <5>     | R1 THERM       | R/W | R1 THERM = 0, THERM temperature limit functionality is enabled for the Remote 1 temperature channel.<br>THERM can also be disabled on any channel by the following:<br>In offset 64 mode, writing –64°C to the appropriate THERM temperature limit.<br>In twos complement mode, writing –128°C to the appropriate THERM temperature limit. |
| <6>     | Local<br>THERM | R/W | Local THERM = 0, THERM temperature limit functionality enabled for local temperature channel.<br>THERM can also be disabled on any channel by the following:<br>In Offset 64 mode, writing –64°C to the appropriate THERM temperature limit.<br>In twos complement mode, writing –128°C to the appropriate THERM temperature limit.        |
| <7>     | R2 THERM       | R/W | R2 THERM = 0, THERM temperature limit functionality enabled for Remote 2 temperature channel.<br>THERM can also be disabled on any channel by the following:<br>In offset 64 mode, writing 64°C to the appropriate THERM temperature limit.<br>In twos complement mode, writing 128°C to the appropriate THERM temperature limit.          |

1. These registers become read-only when the Configuration Register 1 Lock bit is set to 1. Any subsequent attempts to write to these registers fail.



## ADT7475

**Table 85. REGISTER 0X7D – CONFIGURATION REGISTER 4 (POWER-ON DEFAULT = 0X00)** (Note 1)

| Bit No. | Mnemonic              | R/W | Description  |
|---------|-----------------------|-----|--|
| <1:0>   | PIN9FUNC              | R/W | These bits set the functionality of Pin 9:<br>00 = TACH4 (Default)<br>01 = Bidirectional THERM<br>10 = SMBALERT<br>11 = GPIO   |
| <2>     | THERM Disable         | R/W | THERM Disable = 0, THERM overtemperature output is enabled assuming THERM is correctly configured (Register 0x78, Register 0x7C, and Register 0x7D).<br>THERM Disable = 1, THERM overtemperature output is disabled on all channels.<br>THERM can also be disabled on any channel by the following:<br>In Offset 64 mode, writing -64°C to the appropriate THERM temperature limit.<br>In twos complement mode, writing -128°C to the appropriate THERM temperature limit. |
| <3>     | Max/Full on THERM     | R/W | Max/Full on THERM = 0. When THERM limit is exceeded, fans go to full speed.<br>Max/Full on THERM = 1. When THERM limit is exceeded, fans go to maximum speed as defined in Register 0x38, Register 0x39, and Register 0x3A.  |
| <4:7>   | RES                   |     | Unused.  |
| <5>     | BpAttV <sub>CCP</sub> | R/W | Bypass V <sub>CCP</sub> attenuator. When set, the measurement scale for this channel changes from 0 V (0x00) to 2.2965 V (0xFF).   |
| <6:7>   | RES                   |     | Unused.  |

1. These registers become read-only when the Configuration Register 1 Lock bit is set to 1. Any subsequent attempts to write to these registers fail.

**Table 86. REGISTER 0X7E – MANUFACTURER’S TEST REGISTER 1 (POWER-ON DEFAULT = 0X00)**

| Bit No. | Mnemonic | R/W       | Description   |
|---------|----------|-----------|---|
| <7:0>   | Reserved | Read-only | Manufacturer’s test register. These bits are reserved for manufacturer’s test purposes and should not be written to under normal operation. |

**Table 87. REGISTER 0X7F – MANUFACTURER’S TEST REGISTER 2 (POWER-ON DEFAULT = 0X00)**

| Bit No. | Mnemonic | R/W       | Description   |
|---------|----------|-----------|---|
| <7:0>   | Reserved | Read-only | Manufacturer’s test register. These bits are reserved for manufacturer’s test purposes and should not be written to under normal operation. |

**Table 88. ORDERING INFORMATION**

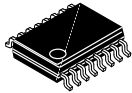
| Device Number*   | Temperature Range | Package Type | Package Option | Shipping†         |
|------------------|-------------------|--------------|----------------|-------------------|
| ADT7475ARQZ-REEL | -40°C to +125°C   | 16-lead QSOP | RQ-16          | 2,500 Tape & Reel |

†For information on tape and reel specifications, including part orientation and tape sizes, please refer to our Tape and Reel Packaging Specifications Brochure, BRD8011/D.

\*The “Z” suffix indicates Pb-Free part.

# MECHANICAL CASE OUTLINE PACKAGE DIMENSIONS

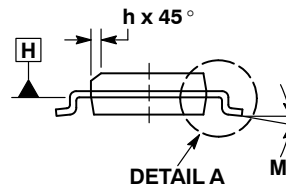
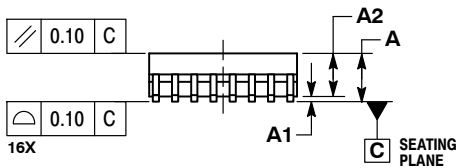
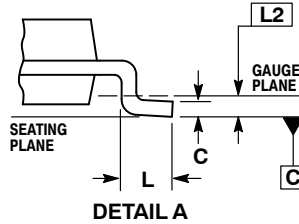
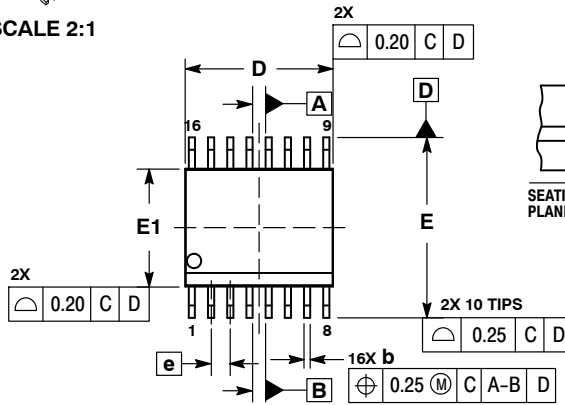
ON Semiconductor®



SCALE 2:1

## QSOP16 CASE 492-01 ISSUE A

DATE 23 MAR 2011

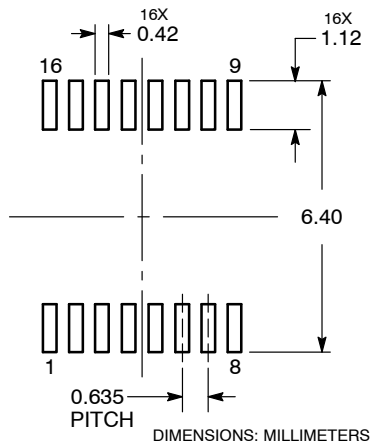


NOTES:

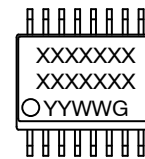
1. DIMENSIONING AND TOLERANCING PER ASME Y14.5M, 1994.
2. CONTROLLING DIMENSION: MILLIMETERS.
3. DIMENSION b DOES NOT INCLUDE DAMBAR PROTRUSION.
4. DIMENSION D DOES NOT INCLUDE MOLD FLASH, PROTRUSIONS, OR GATE BURRS. MOLD FLASH, PROTRUSIONS, OR GATE BURRS SHALL NOT EXCEED 0.005 PER SIDE. DIMENSION E1 DOES NOT INCLUDE INTERLEAD FLASH OR PROTRUSION. INTERLEAD FLASH OR PROTRUSION SHALL NOT EXCEED 0.005 PER SIDE. D AND E1 ARE DETERMINED AT DATUM H.
5. DATUMS A AND B ARE DETERMINED AT DATUM H.

| DIM | INCHES    |       | MILLIMETERS |      |
|-----|-----------|-------|-------------|------|
|     | MIN       | MAX   | MIN         | MAX  |
| A   | 0.053     | 0.069 | 1.35        | 1.75 |
| A1  | 0.004     | 0.010 | 0.10        | 0.25 |
| A2  | 0.049     | ----  | 1.24        | ---- |
| b   | 0.008     | 0.012 | 0.20        | 0.30 |
| c   | 0.007     | 0.010 | 0.19        | 0.25 |
| D   | 0.193 BSC |       | 4.89 BSC    |      |
| E   | 0.237 BSC |       | 6.00 BSC    |      |
| E1  | 0.154 BSC |       | 3.90 BSC    |      |
| e   | 0.025 BSC |       | 0.635 BSC   |      |
| h   | 0.009     | 0.020 | 0.22        | 0.50 |
| L   | 0.016     | 0.050 | 0.40        | 1.27 |
| L2  | 0.010 BSC |       | 0.25 BSC    |      |
| M   | 0°        | 8°    | 0°          | 8°   |

### SOLDERING FOOTPRINT



### GENERIC MARKING DIAGRAM\*



- XXXXXX = Specific Device Code
- YY = Year
- WW = Work Week
- G = Pb-Free Package

\*This information is generic. Please refer to device data sheet for actual part marking. Pb-Free indicator, "G", may or not be present.

|                         |                    |  |
|-------------------------|--------------------|--|
| <b>DOCUMENT NUMBER:</b> | <b>98AON04472D</b> | Electronic versions are uncontrolled except when accessed directly from the Document Repository. Printed versions are uncontrolled except when stamped "CONTROLLED COPY" in red. |
| <b>DESCRIPTION:</b>     | <b>QSOP16</b>      | <b>PAGE 1 OF 1</b>   |

ON Semiconductor and are trademarks of Semiconductor Components Industries, LLC dba ON Semiconductor or its subsidiaries in the United States and/or other countries. ON Semiconductor reserves the right to make changes without further notice to any products herein. ON Semiconductor makes no warranty, representation or guarantee regarding the suitability of its products for any particular purpose, nor does ON Semiconductor assume any liability arising out of the application or use of any product or circuit, and specifically disclaims any and all liability, including without limitation special, consequential or incidental damages. ON Semiconductor does not convey any license under its patent rights nor the rights of others.

**onsemi**, **Onsemi**, and other names, marks, and brands are registered and/or common law trademarks of Semiconductor Components Industries, LLC dba "**onsemi**" or its affiliates and/or subsidiaries in the United States and/or other countries. **onsemi** owns the rights to a number of patents, trademarks, copyrights, trade secrets, and other intellectual property. A listing of **onsemi**'s product/patent coverage may be accessed at [www.onsemi.com/site/pdf/Patent-Marking.pdf](http://www.onsemi.com/site/pdf/Patent-Marking.pdf). **onsemi** reserves the right to make changes at any time to any products or information herein, without notice. The information herein is provided "as-is" and **onsemi** makes no warranty, representation or guarantee regarding the accuracy of the information, product features, availability, functionality, or suitability of its products for any particular purpose, nor does **onsemi** assume any liability arising out of the application or use of any product or circuit, and specifically disclaims any and all liability, including without limitation special, consequential or incidental damages. Buyer is responsible for its products and applications using **onsemi** products, including compliance with all laws, regulations and safety requirements or standards, regardless of any support or applications information provided by **onsemi**. "Typical" parameters which may be provided in **onsemi** data sheets and/or specifications can and do vary in different applications and actual performance may vary over time. All operating parameters, including "Typicals" must be validated for each customer application by customer's technical experts. **onsemi** does not convey any license under any of its intellectual property rights nor the rights of others. **onsemi** products are not designed, intended, or authorized for use as a critical component in life support systems or any FDA Class 3 medical devices or medical devices with a same or similar classification in a foreign jurisdiction or any devices intended for implantation in the human body. Should Buyer purchase or use **onsemi** products for any such unintended or unauthorized application, Buyer shall indemnify and hold **onsemi** and its officers, employees, subsidiaries, affiliates, and distributors harmless against all claims, costs, damages, and expenses, and reasonable attorney fees arising out of, directly or indirectly, any claim of personal injury or death associated with such unintended or unauthorized use, even if such claim alleges that **onsemi** was negligent regarding the design or manufacture of the part. **onsemi** is an Equal Opportunity/Affirmative Action Employer. This literature is subject to all applicable copyright laws and is not for resale in any manner.

## PUBLICATION ORDERING INFORMATION

### LITERATURE FULFILLMENT:

Email Requests to: [orderlit@onsemi.com](mailto:orderlit@onsemi.com)

**onsemi Website:** [www.onsemi.com](http://www.onsemi.com)

### TECHNICAL SUPPORT

**North American Technical Support:**

Voice Mail: 1 800-282-9855 Toll Free USA/Canada

Phone: 011 421 33 790 2910

**Europe, Middle East and Africa Technical Support:**

Phone: 00421 33 790 2910

For additional information, please contact your local Sales Representative