

Overview

This wide range of feed-through filters provide excellent EMI attenuation up to GHz frequency levels. They are an economical alternative to dedicated filter units, where multiple input or output power lines require suppression. Due to the high capacitance values of these filters, protective measures (e.g. protective earthing) in accordance with equipment/system regulations are required.

- Current ratings from 16A to 300A
- Excellent attenuation up-to 1GHz
- Wide choice of performance options
- Rugged resin sealed construction
- Lock-nut or flange-mounting

Applications

Particularly suitable for use in screened rooms, medical equipment, power supplies, high frequency welding equipment, and telecom systems.

FLLDH



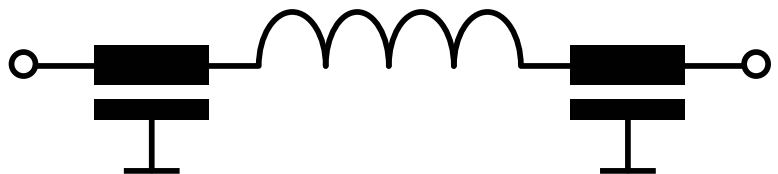
FLLDU



Technical Specifications

Item	Parameters/Characteristics
Rated Voltage	250 – 440 VAC 350 – 750 VDC
Rated Frequency	50 – 60 Hz
Rated Current	16 – 300 A
Rated Temperature	40°C
Temperature Range	-40°C to 85°C
Climate Category	40/085/56
Voltage Test	1,075 – 2,700 VDC

Typical Electrical Schematic



Technical Specifications cont.

Part Number	Rated Current at 40°C (A)	Rated Voltage (VAC/VDC)	C (μF)	Volt Test (VDC)	UL
FLLDH016A02510	16	250/440	2x0.1	2,700	
FLLDH025A02510	25	250/440	2x0.1	2,700	□
FLLDH040A02510	40	250/440	2x0.1	2,700	
FLLDH100A02510	100	250/440	2x0.1	2,700	
FLLDU040A02610	40	440/750	2x1	2,500	□
FLLDU100A02610	100	440/750	2x1	2,500	□
FLLDU200A02610	200	440/750	2x1	2,500	□
FLLDU300A02610	300	440/750	2x1	2,500	□
FLLDU040A22510	40	250/440	2x1.1	2,700	
FLLDU100A22510	100	250/440	2x1.1	2,700	
FLLDU200A22510	200	250/440	2x1.1	2,700	
FLLDU300A22510	300	250/440	2x1.1	2,700	
FLLDU040A44510	40	250/440	2x2.2	1,500	
FLLDU100A44510	100	250/440	2x2.2	1,500	
FLLDU200A44510	200	250/440	2x2.2	1,500	
FLLDU300A44510	300	250/440	2x2.2	1,500	
FLLDU040A94510	40	250/350	2x4.7	1,075	
FLLDU100A94510	100	250/350	2x4.7	1,075	
FLLDU200A94510	200	250/350	2x4.7	1,075	
FLLDU300A94510	300	230/350	2x4.7	1,075	

□ UL approval

Approvals

Standard	Certification Body	File Number
UL 1283, 5 th Edition	UL	E192374

Environmental Compliance

KEMET EMI filters are RoHS Compliant.

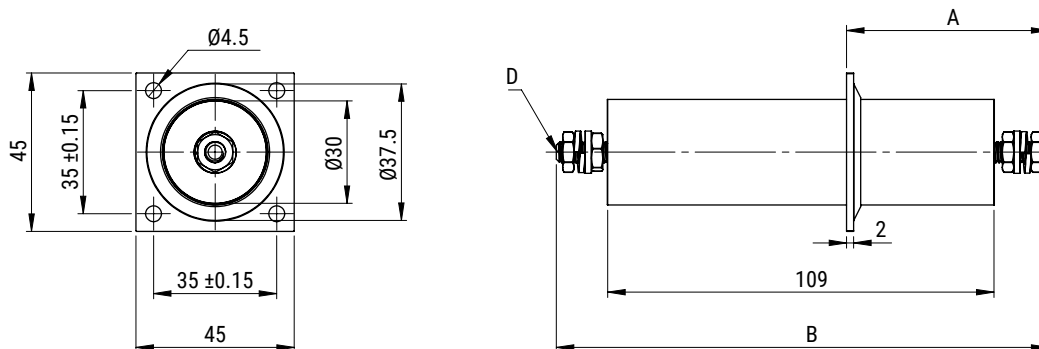


Typical Insertion Loss

Part Number	0.01 MHz (dB)	0.1 MHz (dB)	1 MHz (dB)	10 MHz (dB)	100 MHz (dB)	1,000 MHz (dB)
FLLDH016A025I0	-	-	35	90	>100	>100
FLLDH025A025I0	-	-	35	90	>100	>100
FLLDH040A025I0	-	-	35	90	>100	>100
FLLDH100A025I0	-	-	20	90	>100	>100
FLLDU040A026I0	15	27	65	>100	>100	>100
FLLDU100A026I0	15	27	65	>100	>100	>100
FLLDU200A026I0	15	27	65	>100	>100	>100
FLLDU300A026I0	15	27	65	>100	>100	>100
FLLDU040A225I0	15	27	65	>100	>100	>100
FLLDU100A225I0	15	27	65	>100	>100	>100
FLLDU200A225I0	15	27	65	>100	>100	>100
FLLDU300A225I0	15	27	65	>100	>100	>100
FLLDU040A445I0	18	32	68	>100	>100	>100
FLLDU100A445I0	18	32	68	>100	>100	>100
FLLDU200A445I0	18	32	68	>100	>100	>100
FLLDU300A445I0	18	32	68	>100	>100	>100
FLLDU040A945I0	28	42	90	>100	>100	>100
FLLDU100A945I0	28	42	90	>100	>100	>100
FLLDU200A945I0	28	42	90	>100	>100	>100
FLLDU300A945I0	28	42	90	>100	>100	>100

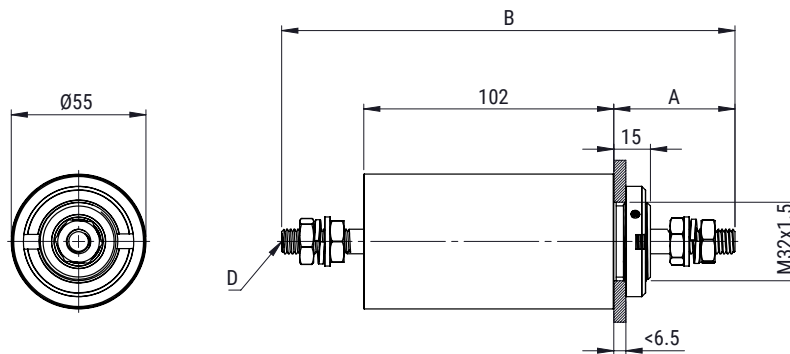
Mechanical Dimensions – Millimeters

FLLDH



Part Number	Dimensions (mm)		
	A	B	D
FLLDH016A025I0	57.5	140	M6
FLLDH025A025I0	57.5	140	M6
FLLDH040A025I0	57.5	140	M6
FLLDH100A025I0	77.5	180	M8

FLLDU



Part Number	Dimensions (mm)			Part Number	Dimensions (mm)		
	A	B	D		A	B	D
FLLDU040A026I0	39.5	166	M6	FLLDU040A445I0	39.5	166	M6
FLLDU100A026I0	46.5	180	M8	FLLDU100A445I0	46.5	180	M8
FLLDU200A026I0	49.5	185	M10	FLLDU200A445I0	49.5	185	M10
FLLDU300A026I0	68.0	215	M12	FLLDU300A445I0	68.0	215	M12
FLLDU040A225I0	39.5	166	M6	FLLDU040A945I0	39.5	166	M6
FLLDU100A225I0	46.5	180	M8	FLLDU100A945I0	46.5	180	M8
FLLDU200A225I0	49.5	185	M10	FLLDU200A945I0	49.5	185	M10
FLLDU300A225I0	68.0	215	M12	FLLDU300A945I0	68.0	215	M12

KEMET Electronics Corporation Sales Offices

For a complete list of our global sales offices, please visit www.kemet.com/sales.

Disclaimer

All product specifications, statements, information and data (collectively, the "Information") in this datasheet are subject to change. The customer is responsible for checking and verifying the extent to which the Information contained in this publication is applicable to an order at the time the order is placed. All Information given herein is believed to be accurate and reliable, but it is presented without guarantee, warranty, or responsibility of any kind, expressed or implied.

Statements of suitability for certain applications are based on KEMET Electronics Corporation's ("KEMET") knowledge of typical operating conditions for such applications, but are not intended to constitute – and KEMET specifically disclaims – any warranty concerning suitability for a specific customer application or use. The Information is intended for use only by customers who have the requisite experience and capability to determine the correct products for their application. Any technical advice inferred from this Information or otherwise provided by KEMET with reference to the use of KEMET's products is given gratis, and KEMET assumes no obligation or liability for the advice given or results obtained.

Although KEMET designs and manufactures its products to the most stringent quality and safety standards, given the current state of the art, isolated component failures may still occur. Accordingly, customer applications which require a high degree of reliability or safety should employ suitable designs or other safeguards (such as installation of protective circuitry or redundancies) in order to ensure that the failure of an electrical component does not result in a risk of personal injury or property damage.

Although all product-related warnings, cautions and notes must be observed, the customer should not assume that all safety measures are indicated or that other measures may not be required.

KEMET is a registered trademark of KEMET Electronics Corporation.