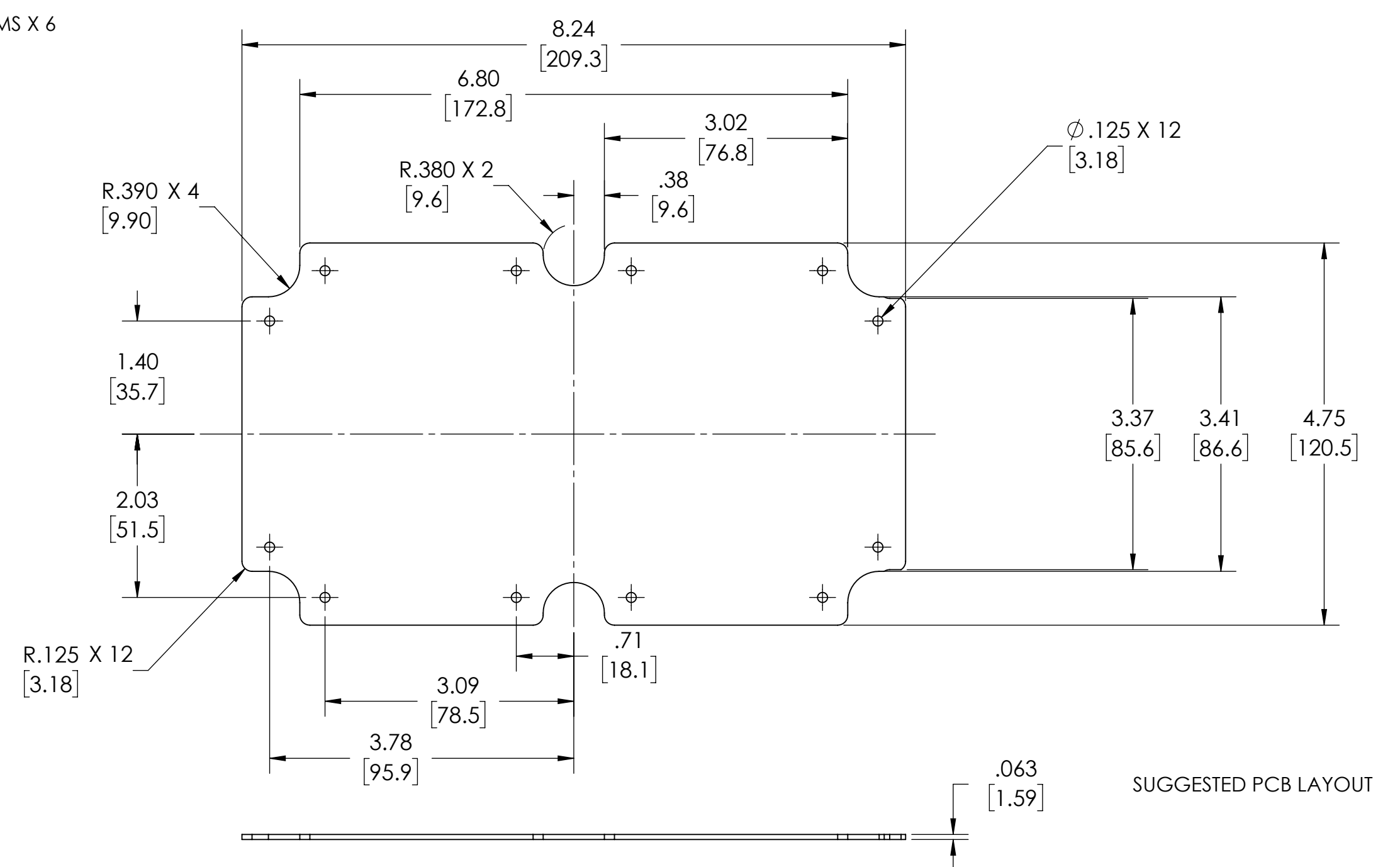
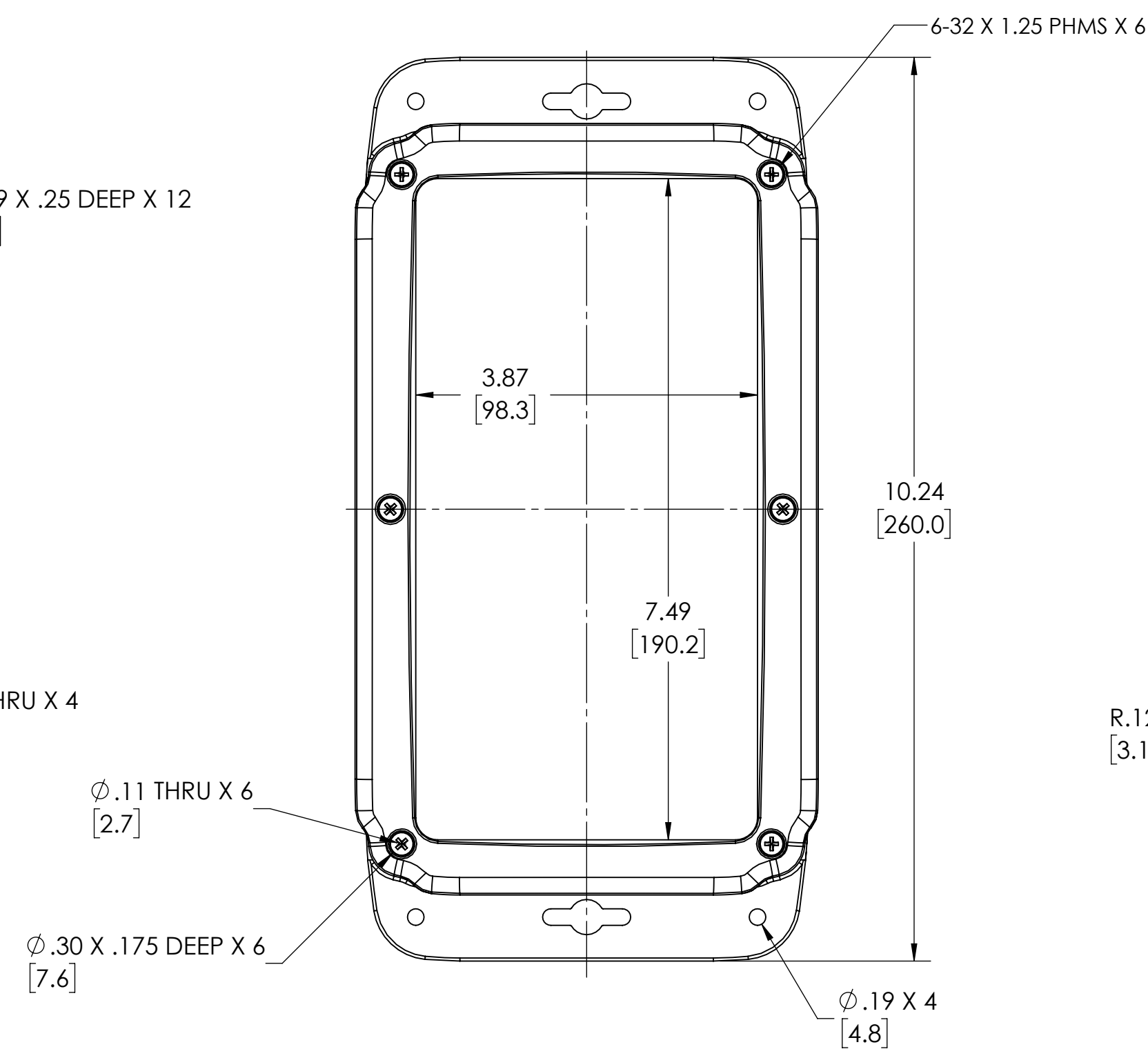
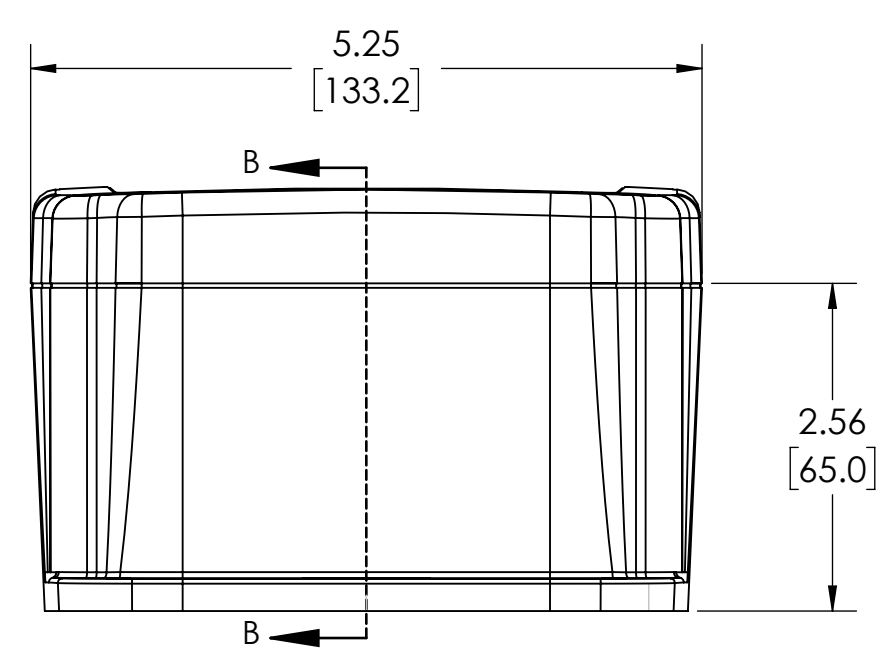
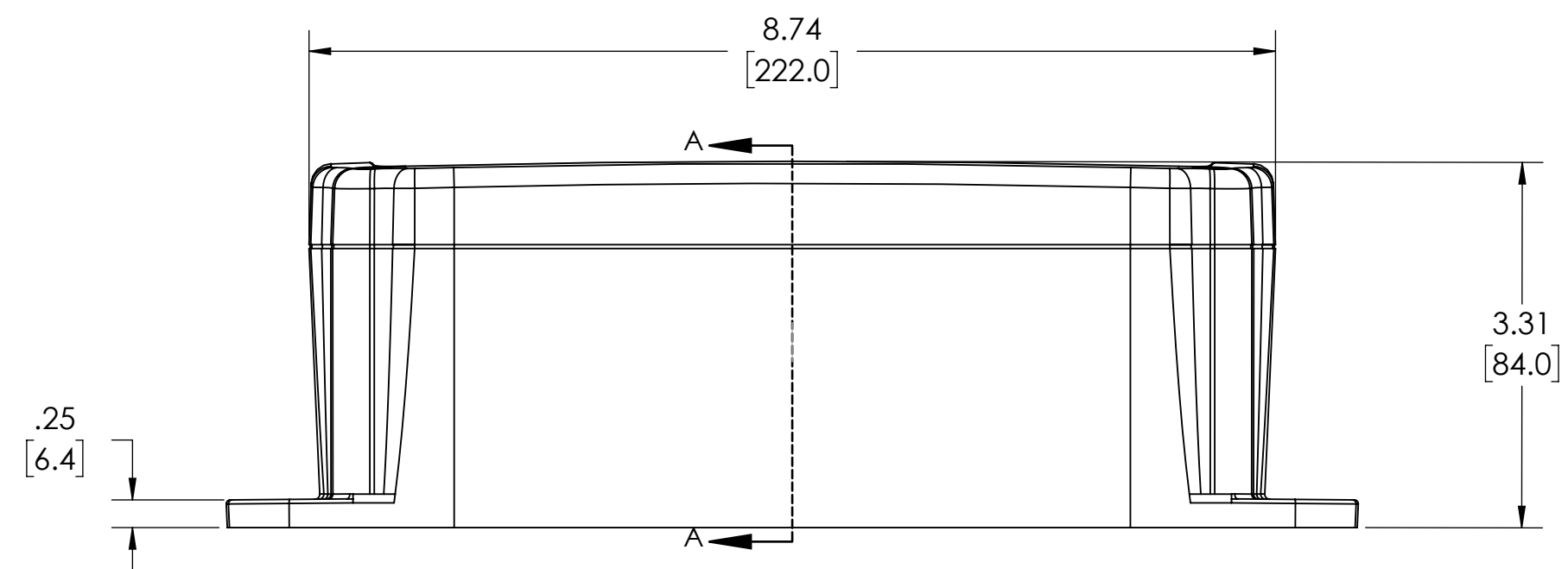


INSIDE VIEW OF BODY COVER NOT SHOWN

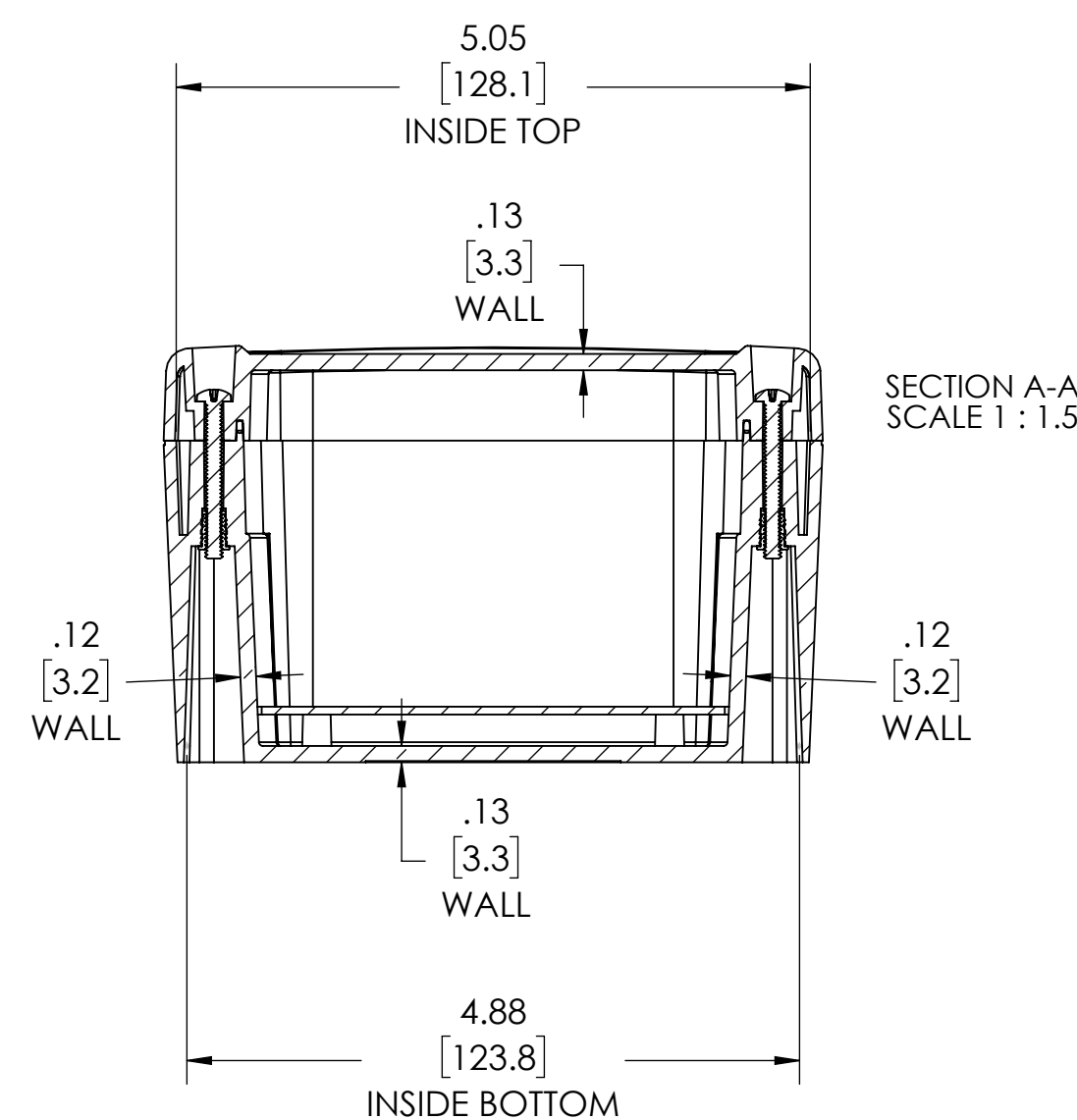
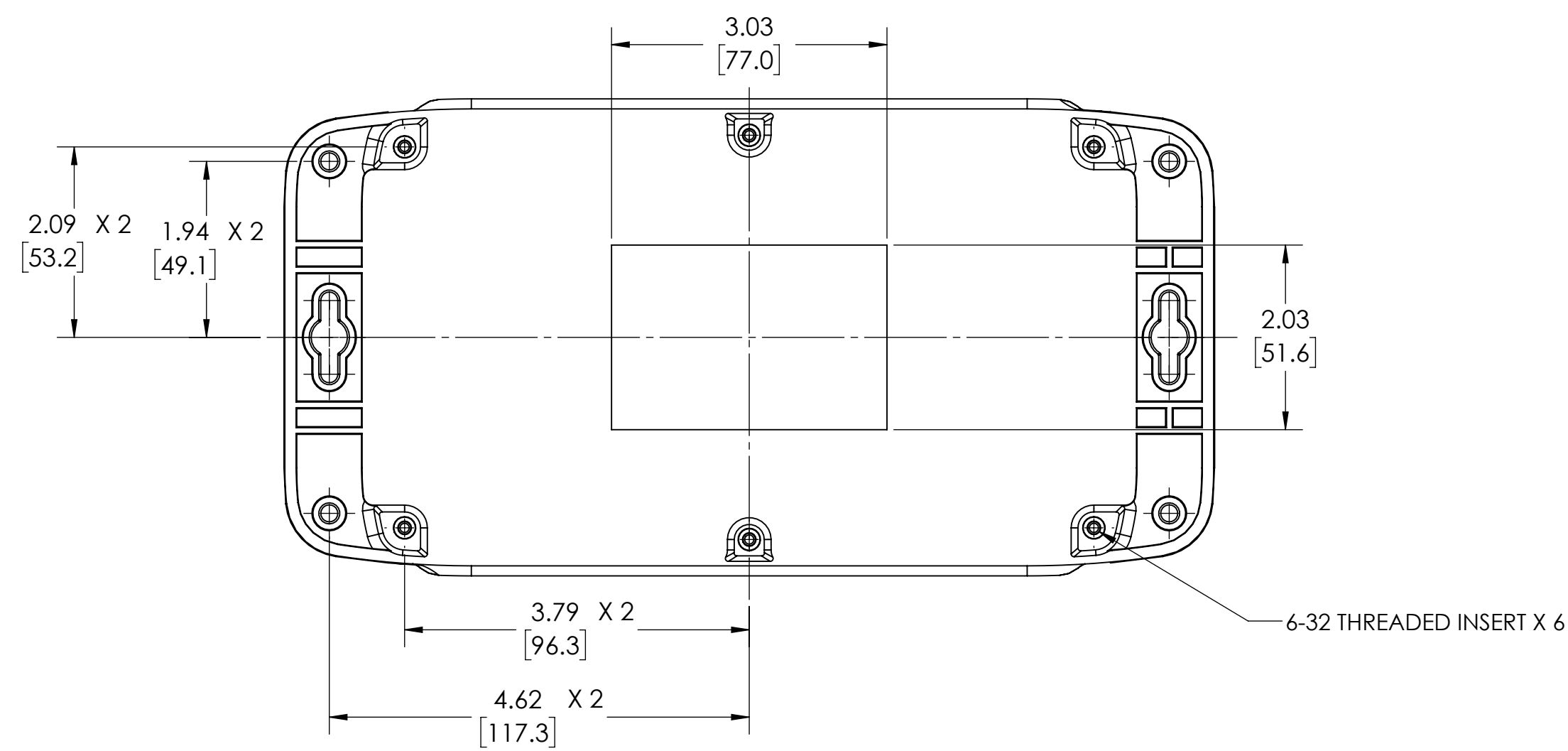
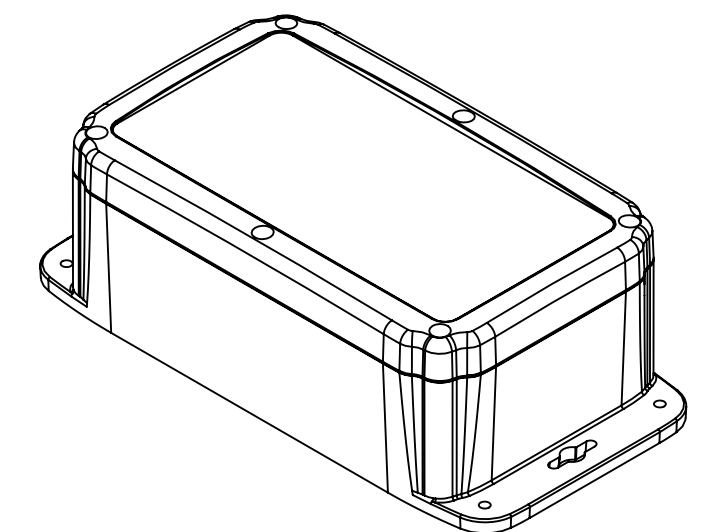


SUGGESTED PCB LAYOUT

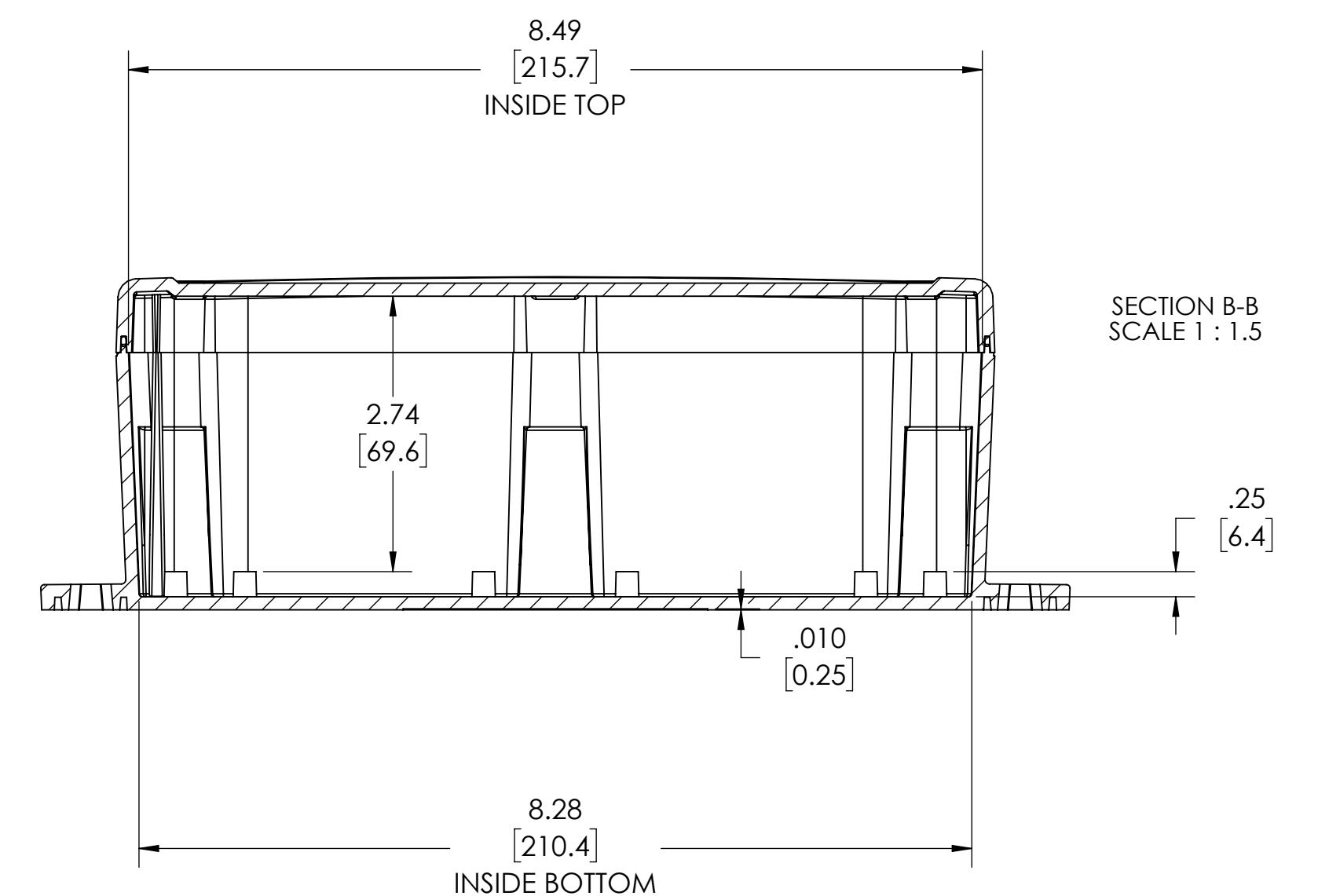


NOTES:

1. MATERIAL:  
BODY - PC LIGHT GRAY POLYCARBONATE  
COVER - PC LIGHT GRAY POLYCARBONATE  
CLEAR COVER (C) - PC CLEAR POLYCARBONATE
2. UL94 V-0 5VA FLAMMABILITY RATING. UL 508A, TYPE 1, 2, 4, 4X, 6, 6P, 12 & 13 (E352997) UL CERT OF COMPLIANCE
3. BOXES DESIGNED TO MEET FOLLOWING STANDARDS: NEMA 4X, 6P FOR INDOOR/OUTDOOR USE. MEETS IP66 & IP68 REQUIREMENTS.
4. PRE INSTALLED SILICONE GASKET IN COVER
5. COVER IS REMOVABLE AND ATTACHED BY 6-32 X 1.25 THREADED BRASS INSERTS ATTACHED TO THE BODY.
6. DIMENSIONS ARE INCH [MM]



SECTION A-A SCALE 1 : 1.5



SECTION B-B SCALE 1 : 1.5

ITEM NO.	PART NO.	REV	DESCRIPTION	FLAME RATING	COLOR	ML-22F*15 /QTY	ML-22F*1508 /QTY
4	SCREWS-SS6-6	-	6-PACK: 6-32 X 1.25 PHMS			1	1
3	ML-58CG*08	-	COVER WITH GASKET	UL94V-0	CLEAR	-	1
2	ML-58CG*15	-	COVER WITH GASKET	UL94V-0	LIGHT GRAY (RAL 7035)	1	-
1	ML-58BF*15	-	BASE W/ BRASS INSERTS	UL94V-0	LIGHT GRAY (RAL 7035)	1	1

BOM TABLE

**DRAWING FOR REFERENCE**  
WE RESERVE THE RIGHT TO MAKE CHANGES TO OUR STANDARD PRODUCTS. PLEASE CONSULT WITH BUD INDUSTRIES PRIOR TO USING THIS DRAWING FOR DESIGN PURPOSE.