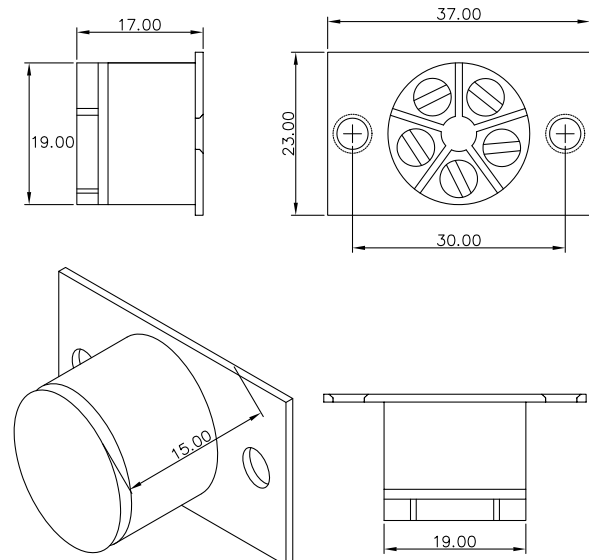


| PICTURE | DIMENSIONS |
|---------|------------|
|---------|------------|



Magnet dimensions the same as switch dimensions except depth 15mm

Drawings not to scale
 All dimensions in mm nominal

| SPECIFICATION | | |
|---------------|--|--|
|---------------|--|--|

| | | |
|-----------------------|-------------------------|--------------|
| Contact Form / Style | Normally Open | |
| Grade | 1 | |
| Switching Voltage | Max Volts AC/DC | 140 |
| Switching Current | Max Amps | 0.5 |
| Carry Current | Max Amps | 0.8 |
| Switching Capacity | Max W/VA | 10 |
| Insulation Resistance | Max MOhms | 100 |
| Contact Resistance | Max mom's | 150 |
| Operating Temperature | Celsius | - 40° to 60° |
| Case Material | High impact Polystyrene | |
| Operating Distance | Millimetres | 15 |

| Applications Include | Options |
|----------------------|---------|
|----------------------|---------|

- Alarm Systems.
- Appliance switching.
- Production Automation.
- Safety Door Guards.

- 15 or 17mm operating distances available.
- Normally closed and Change over types available.
- Custom cable types, cable lengths, connectors or crimp terminals.
- If you do not see what you need, just ask, as there is a strong possibility we can do it !

Did you know we also sell?



| Rev. No. | Revision Note | Date | Signature |
|----------|---------------|----------|-----------|
| 1 | Datasheet | 01-07-15 | ML |



As part of the company policy of continued product improvement, specifications may change without notice. Our sales office will be pleased to help you with the latest information on this product range and the details of our full design and manufacturing service. All products are supplied to our standard conditions of sale unless otherwise agreed in writing.

Phone : +44 (0)1255 862236

www.comus-intl.com

Fax: +44 (0)1255 862014